

6

5

4

3

2

1

E

E

D

D

C

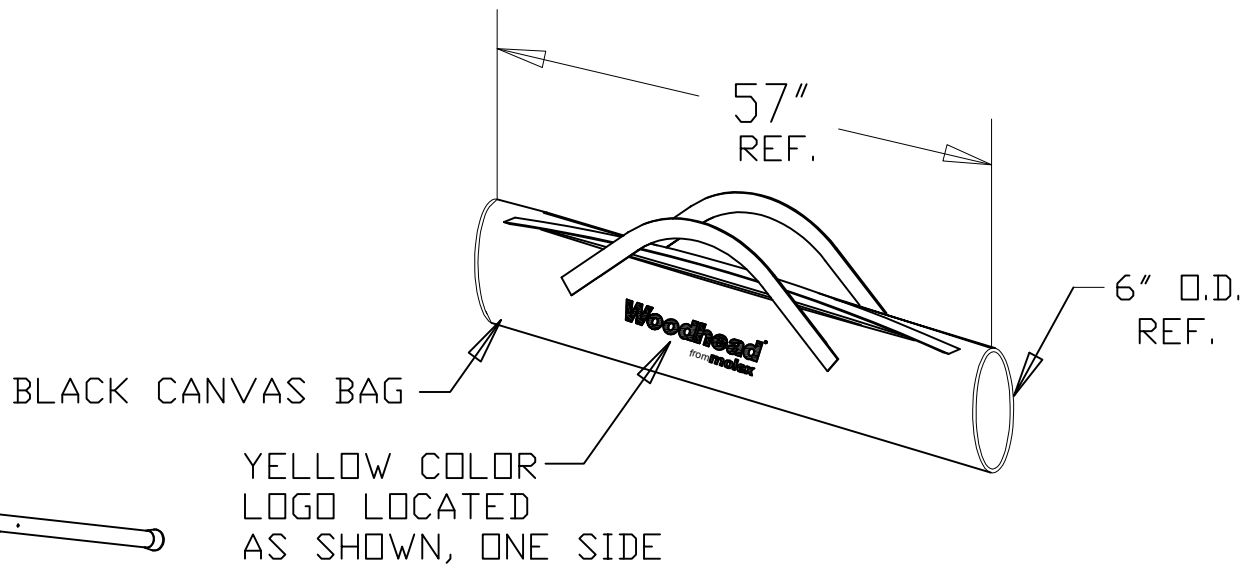
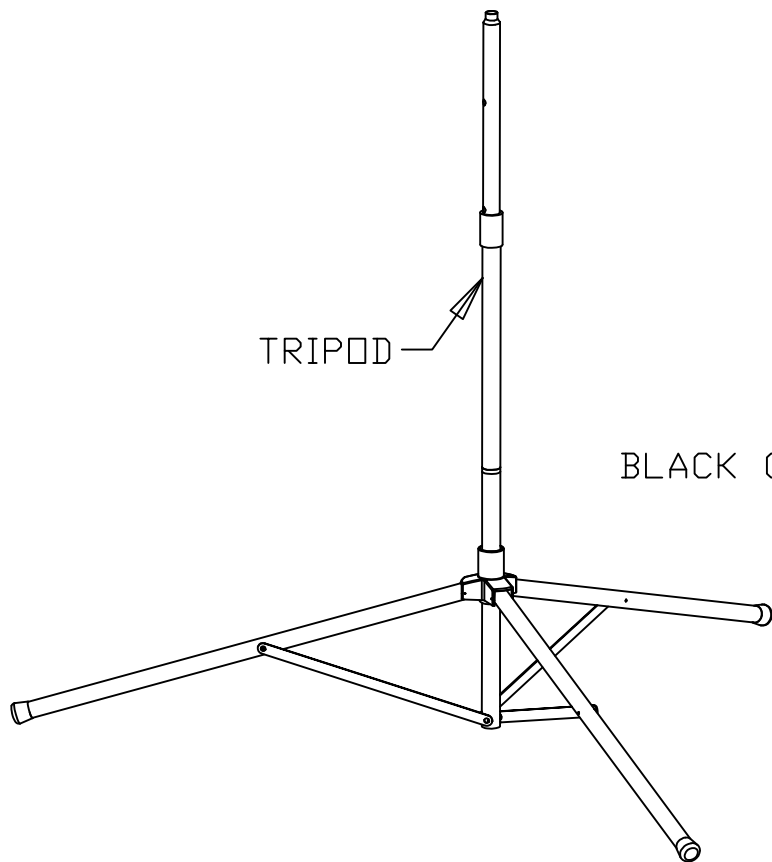
C

B

B

A

A



NOTES:

1. TRIPOD MAX HEIGHT IS 6 FT. WHEN PINNED AT LOWER PIN SPOT.
2. ALL ALUMINUM TUBES OF TRIPOD ARE YELLOW
3. TRIPOD TO BE COLLAPSED AND INSERTED INTO BAG. ENTIRE BAG IS PACKAGED IN SHIPPING BOX,

RELEASE SALES DRAWING EC NO: WNA2010-0214 DRWN: MCHOJECK 9/22/09 CHKD: MC 2009/09/22 APPR: DTITUS 2009/09/30	DESCRIPTION REV	QUALITY SYMBOLS ▽=0 ▽C=0	GENERAL TOLERANCES (UNLESS SPECIFIED)		DIMENSION STYLE INCH		SCALE NTS	DESIGN UNITS INCH	THIRD ANGLE PROJECTION		
				mm	INCH	DRAWN BY MC	DATE 2009/09/22	TITLE TRIPOD STAND ASSEMBLY WITH BAG			
			4 PLACES	±---	±---	CHECKED BY DT	DATE 2009/09/23	-----			
			3 PLACES	±---	±.005	APPROVED BY DTITUS	DATE 2009/09/30	molex		MOLEX INCORPORATED	
			2 PLACES	±---	±.010	MATERIAL NO. 1301850475	DOCUMENT NO. SD-130185-001	SHEET NO. 1 OF 1			
1 PLACE	±---	±.020	ANGULAR ±.5°		SIZE A		THIS DRAWING CONTAINS INFORMATION THAT IS PROPRIETARY TO MOLEX INCORPORATED AND SHOULD NOT BE USED WITHOUT WRITTEN PERMISSION				
DRAFT WHERE APPLICABLE MUST REMAIN WITHIN DIMENSIONS											

6

5

4

3

2

1