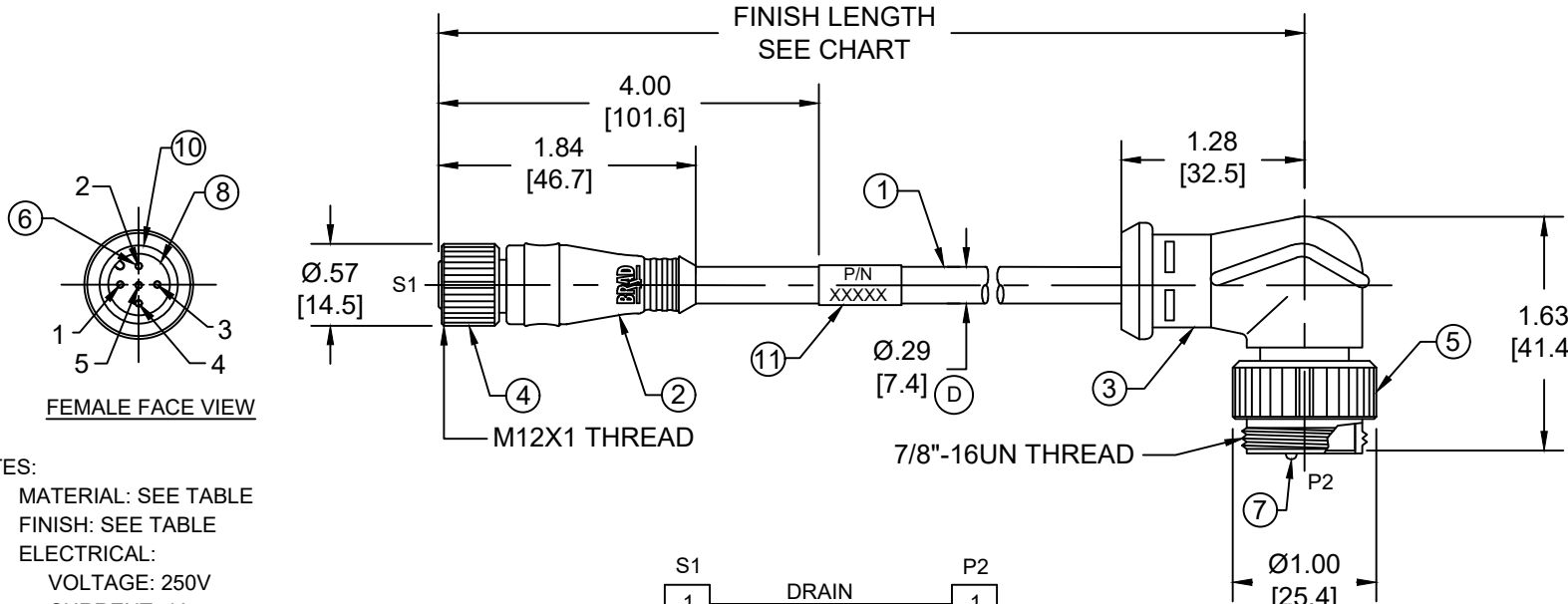


SAP P/N #	ENGINEERING P/N	FINISHED LENGTH
1300390112	DND29A-M002	0.2M [8 IN]
1300390176	DND29A-M030	3M [9FT 10 IN]
1300390177	DND29A-M050	5M [16FT 5 IN]

PART NUMBER LEGEND

DND29A-M002

LENGTH:
M005= 0.2 METER
M010= 1 METER
M100= 10 METER



FEMALE FACE VIEW

MALE FACE VIEW

NOTES:

- MATERIAL: SEE TABLE
- FINISH: SEE TABLE
- ELECTRICAL:
VOLTAGE: 250V
CURRENT: 4A
- TEMP RATING: -20°C TO +80°C
- PROTECTION: IP67 (WHEN MATED)
- UL LISTED FILE: E152210
CSA CERTIFIED FILE: LR6837
- ALL DIMENSIONS ARE FOR REFERENCE UNLESS TOLERANCED OR NOTED OTHERWISE

S1		P2	
1	DRAIN	1	
2	RED	2	
3	BLACK	3	
4	WHITE	4	
5	BLUE	5	

WIRING DIAGRAM

CABLE LENGTH TOLERANCES	
<.3M [1FT]:	+19mm-0 [+.75in-0]
.3 - .9M [1 - 3FT]:	+44.5mm-0 [+1.75in-0]
.9 - 1.8M [3 - 6FT]:	+55.6mm-0 [+2.19in-0]
1.8 - 3.7M [6 - 12FT]:	+88.9mm-0 [+3.50in-0]
3.7 - 7.3M [12 - 24FT]:	+165.1mm-0 [+6.50in-0]
7.3-14.6M [24 - 48FT]:	+317.5mm-0 [+12.50in-0]
14.6 - 30.5M [48-100FT]:	+622.3mm-0 [+24.50in-0]
OVER 30M [100FT]	+2% OF FINISHED LENGTH

11	WRAP LABEL	VINYL	BLACK/YELLOW
10	O-RING	NITRILE	RED
9	INSERT(MINI)	TPE	BLACK
8	INSERT(MICRO)	NYLON	BLACK
7	PIN CONTACT	COPPER ALLOY	GOLD OVER NICKEL
6	SOCKET CONTACT	COPPER ALLOY	GOLD OVER NICKEL
5	COUPLING NUT(MINI)	ZINC DIE-CAST	BLACK E-COAT
4	COUPLING NUT(MICRO)	ZINC DIE-CAST	BLACK E-COAT
3	OVERMOLD(MINI)	TPC	GRAY
2	OVERMOLD(MICRO)	TPC	GRAY
1	DEVICENET DROP CABLE	PVC JACKET	GRAY
ITEM	COMPONENT	MATERIAL	FINISH

FUNCTIONAL SYMBOLS										THIS DRAWING CONTAINS INFORMATION THAT IS PROPRIETARY TO MOLEX ELECTRONIC TECHNOLOGIES, LLC AND SHOULD NOT BE USED WITHOUT WRITTEN PERMISSION									
DIMENSION UNITS					SCALE					CURRENT REV DESC: ITEM-2, 3 & 9 WERE PVC. ADDED ITEM-10, TOL CHART, UL, CSA AND CABLE DIA. MODIFIED PN CHART									
INCH/MM					NTS														
GENERAL TOLERANCES (UNLESS SPECIFIED)										EC NO: 720800									
					mm					INCH									
4 PLACES ±----					±----					±----									
3 PLACES ±----					±----					±----									
2 PLACES ±----					±----					±----									
1 PLACE ±----					±----					±----									
0 PLACES ±----					±----					±----									
ANGULAR TOL ± °----					°----					°----									
DIVISIONAL SYMBOLS										DRWN: TWOLDEGE 2010/01/11									
										APPR: JFMURPHY 2010/01/20									
DRAFT WHERE APPLICABLE MUST REMAIN WITHIN DIMENSIONS										THIRD ANGLE PROJECTION									
					DRAWING					SERIES									
					A-SIZE					130039									
DOCUMENT STATUS					P1					RELEASE DATE									
2022/09/09					18:08:07														
molex										MINI-MICRO CHANGE DEVICENET, A-SIZE-M12, 5 POLE, MALE 90DEG-FEMALE STRAIGHT, SINGLE KEY, #22/4 AWG									
PRODUCT CUSTOMER DRAWING																			
DOCUMENT NUMBER					DOC TYPE					DOC PART					REVISION				
SD-130039-021					PSD					001					D				
MATERIAL NUMBER					CUSTOMER					SHEET NUMBER									
SEE CHART					GENERAL MARKET					1 OF 1									

DOCUMENT STATUS	P1	RELEASE DATE	2022/09/09	18:08:07
-----------------	----	--------------	------------	----------