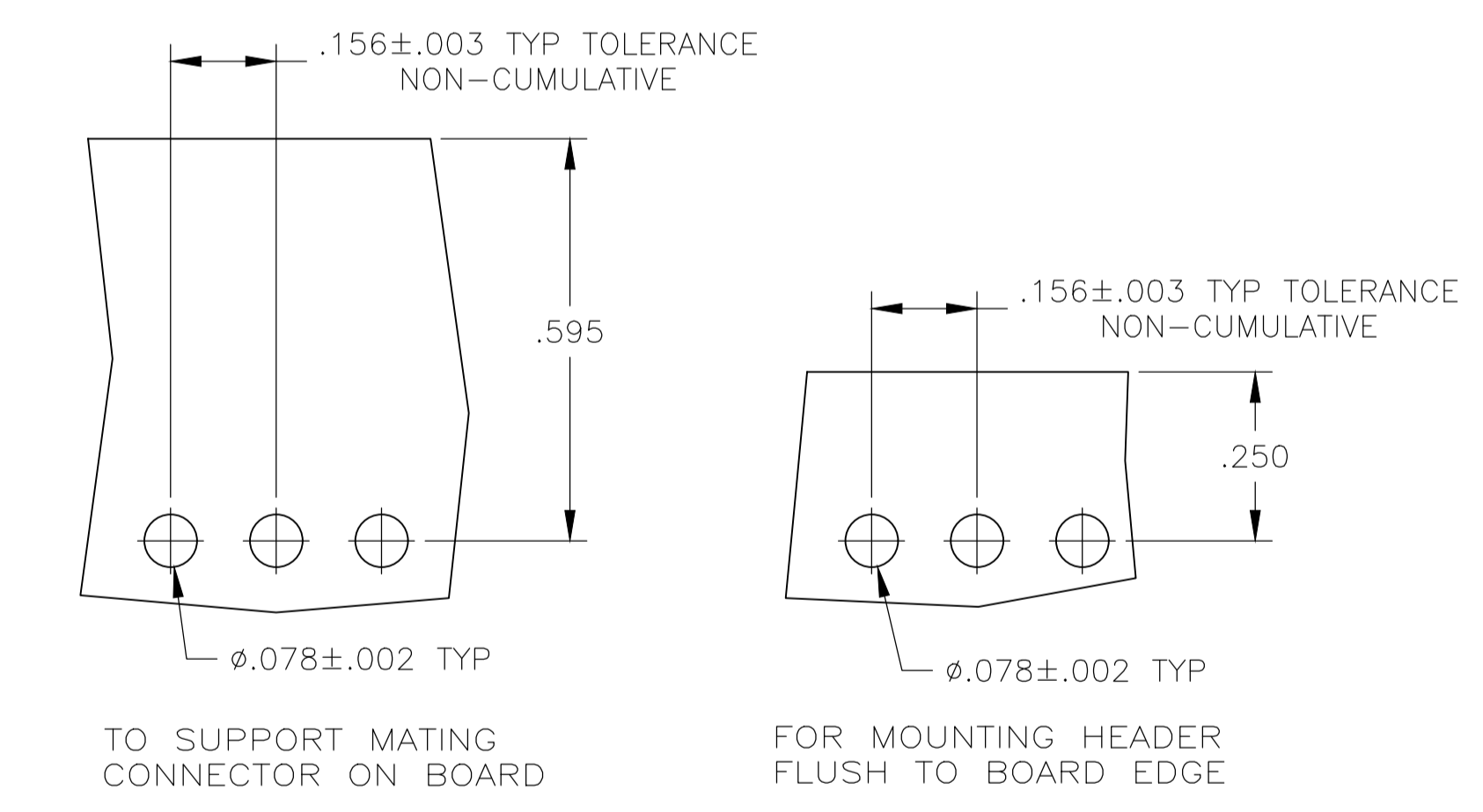
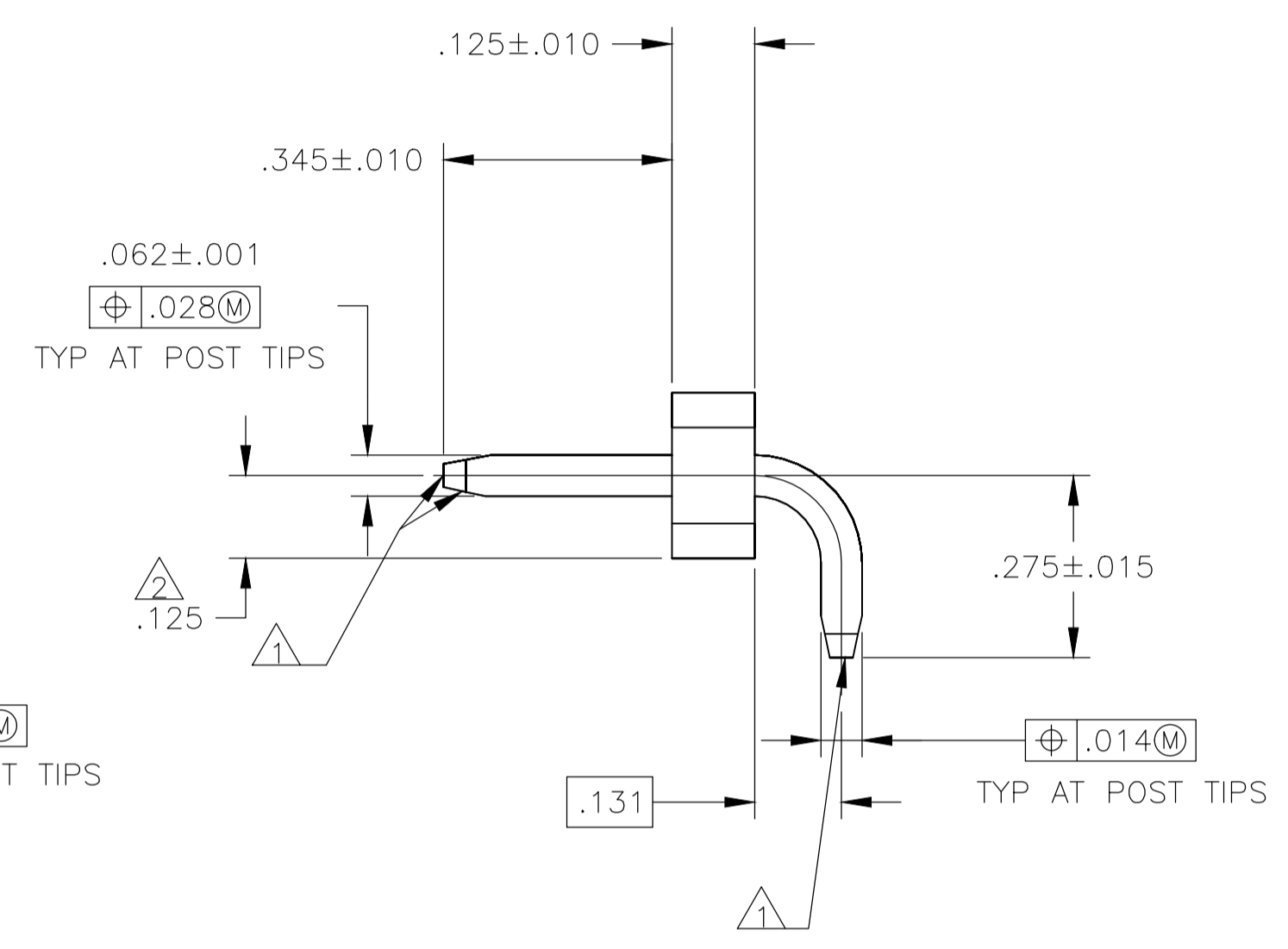
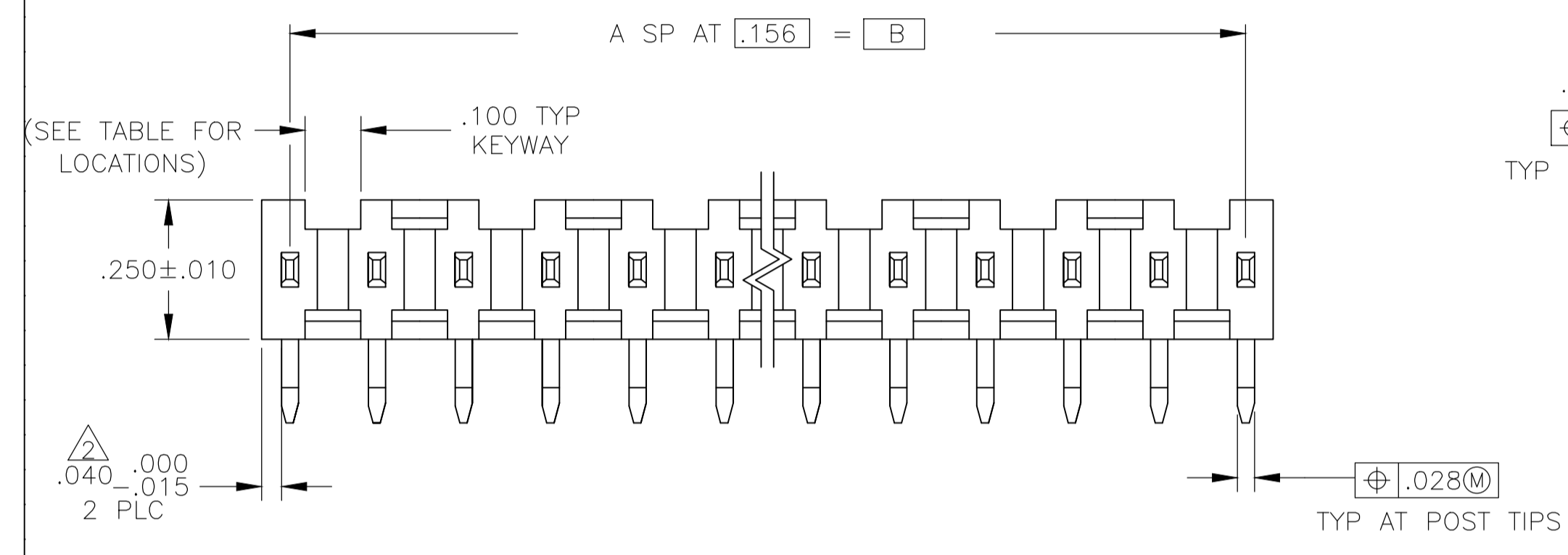
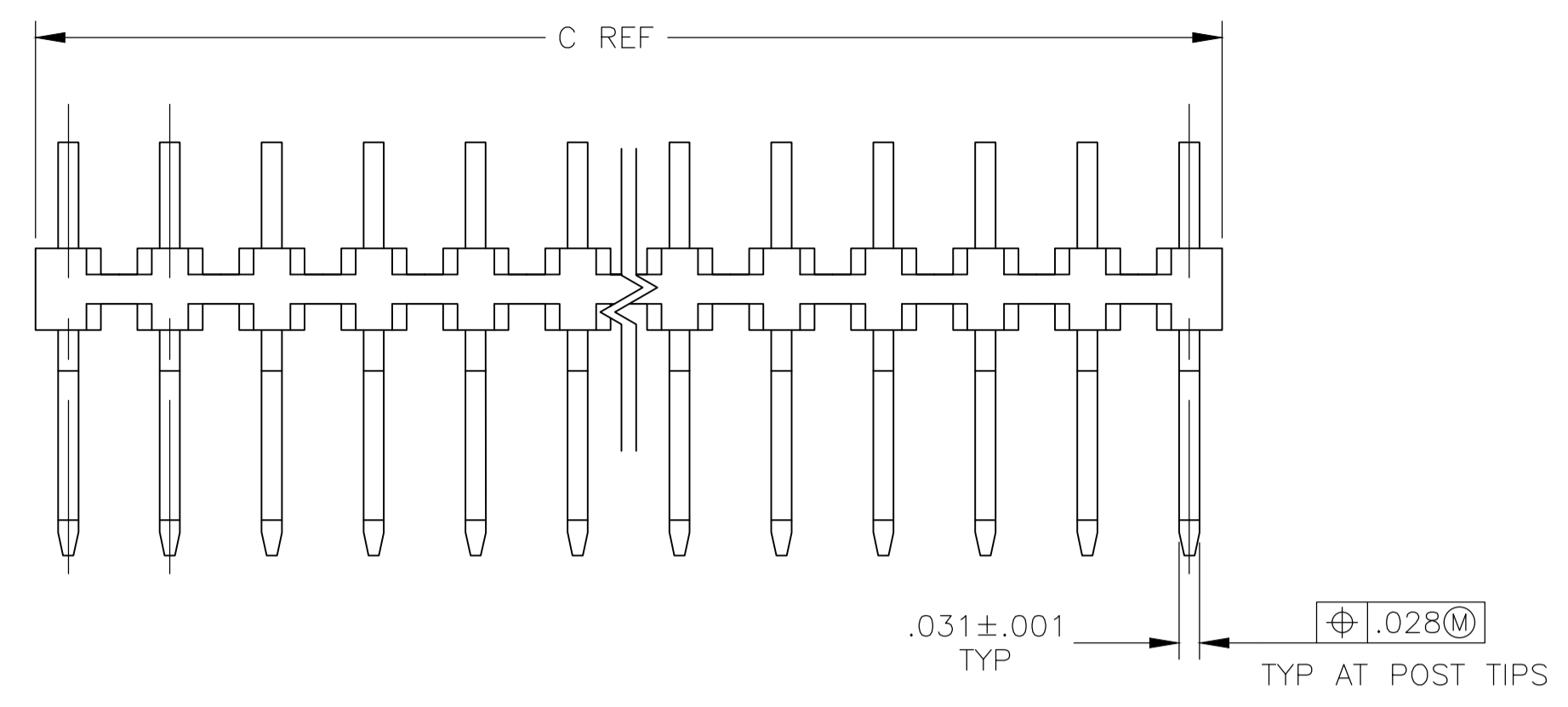
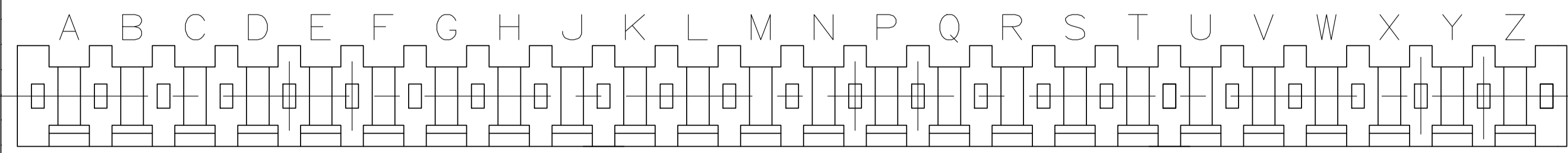


REVISIONS					
REV	DATE	DESCRIPTION	BY	APPV	REV
M4	20JUN2019	PART STATUS UPDATED IN THE TABLE	KJK	PS	



RECOMMENDED BOARD LAYOUTS



KEYWAY LOCATIONS (REF-SEE TABLE)
(MATING LENGTH OF POST ON NEAR SIDE)
SCALE 8:1

- 1 THE TIPS OF THE POSTS WILL NOT BE PLATED
- 2 THE NOTED DIMENSIONS APPLY AT THE INTERSECTION OF THE POST AND THE HOUSING
- 3 .000050-.000150 BRIGHT TIN LEAD.
- 4 .000050-.000150 MATTE TIN.
- 5 ROHS /95 /EC/ COMPLIANT
- 6 OBSOLETE PARTS: OBSOLETE CIS STREAMLINING PER D.RENAUD/D.SINISI

REV	DATE	DESCRIPTION	BY	APPV	REV	NO OF KEYWAY	C	B	A	NO OF POSN	ASSEMBLY PART NUMBER
4		A,C,E,H,K,M,Q,S,U,W,Y	11	3.855	3.744	24	25	7-87655-5			
4		A,C,E,G,J,L,N,Q,S,U,W,Y	12	3.699	3.588	23	24	7-87655-4			
4		A,D,G,K,N,R,U,X	8	3.543	3.432	22	23	7-87655-3			
4		A,C,E,G,J,L,N,Q,S,U,W	11	3.387	3.276	21	22	7-87655-2			
4		A,D,G,K,N,R,U	7	3.231	3.120	20	21	7-87655-1			
4		A,C,E,G,J,L,N,Q,S,U	10	3.075	2.964	19	20	7-87655-0			
4		B,D,F,J,L,N,Q,S	8	2.919	2.808	18	19	6-87655-9			
4		A,D,F,J,M,P,S	7	2.763	2.652	17	18	6-87655-8			
4		A,D,G,K,N,R	6	2.607	2.496	16	17	6-87655-7			
4		A,C,E,G,J,L,N,Q	8	2.451	2.340	15	16	6-87655-6			
4		A,D,G,K,N	5	2.295	2.184	14	15	6-87655-5			
4		A,C,E,G,J,L,N	7	2.139	2.028	13	14	6-87655-4			
4		A,D,J,M	4	1.983	1.872	12	13	6-87655-3			
4		A,C,E,G,J,L	6	1.827	1.716	11	12	6-87655-2			
4		A,D,G,K	4	1.671	1.560	10	11	6-87655-1			
4		A,C,E,G,J	5	1.515	1.404	9	10	6-87655-0			
4		A,D,G	3	1.359	1.248	8	9	5-87655-9			
4		A,C,E,G	4	1.203	1.092	7	8	5-87655-8			
4		A,C,E	3	1.047	.936	6	7	5-87655-7			
4		A,C,E	3	.891	.780	5	6	5-87655-6			
4		A,D	2	.735	.624	4	5	5-87655-5			
4		A,C	2	.579	.468	3	4	5-87655-4			
4		A	1	.423	.312	2	3	5-87655-3			
4		A	1	.267	.156	1	2	5-87655-2			
3		A,C,E,H,K,M,Q,S,U,W,Y	11	3.855	3.744	24	25	2-87655-5			
3		A,C,E,G,J,L,N,Q,S,U,W,Y	12	3.699	3.588	23	24	2-87655-4			
3		A,D,G,K,N,R,U,X	8	3.543	3.432	22	23	2-87655-3			
3		A,C,E,G,J,L,N,Q,S,U,W	11	3.387	3.276	21	22	2-87655-2			
3		A,D,G,K,N,R,U	7	3.231	3.120	20	21	2-87655-1			
3		A,C,E,G,J,L,N,Q,S,U	10	3.075	2.964	19	20	2-87655-0			
3		B,D,F,J,L,N,Q,S	8	2.919	2.808	18	19	1-87655-9			
3		A,D,F,J,M,P,S	7	2.763	2.652	17	18	1-87655-8			
3		A,D,G,K,N,R	6	2.607	2.496	16	17	1-87655-7			
3		A,C,E,G,J,L,N,Q	8	2.451	2.340	15	16	1-87655-6			
3		A,D,G,K,N	5	2.295	2.184	14	15	1-87655-5			
3		A,C,E,G,J,L,N	7	2.139	2.028	13	14	1-87655-4			
3		A,D,J,M	4	1.983	1.872	12	13	1-87655-3			
3		A,C,E,G,J,L	6	1.827	1.716	11	12	1-87655-2			
3		A,D,G,K	4	1.671	1.560	10	11	1-87655-1			
3		A,C,E,G,J	5	1.515	1.404	9	10	1-87655-0			
3		A,D,G	3	1.359	1.248	8	9	87655-9			
3		A,C,E,G	4	1.203	1.092	7	8	87655-8			
3		A,C,E	3	1.047	.936	6	7	87655-7			
3		A,C,E	3	.891	.780	5	6	87655-6			
3		A,D	2	.735	.624	4	5	87655-5			
3		A,C	2	.579	.468	3	4	87655-4			
3		A	1	.423	.312	2	3	87655-3			
3		A	1	.267	.156	1	2	87655-2			

THIS DRAWING IS A CONTROLLED DOCUMENT.

DIMENSIONS: INCHES

TOLERANCES UNLESS OTHERWISE SPECIFIED:

0 PLC	± .005
1 PLC	± .005
2 PLC	± .005
3 PLC	± .005
4 PLC	± .005
ANGLES	± .005

MATERIAL: HOUSING - FLAME RESISTANT THERMOPLASTIC, COLOR - BLACK, POSTS - BRASS

FINISH: SEE TABLE

APPROVED: J. SCHIEFFER

DATE: 14JUL87

NAME: AMPMODU MOD I, HEADER ASSEMBLY RIGHT ANGLE, SINGLE ROW, .156 CL

SIZE: A1

WEIGHT: --

CAGE CODE: 00779

DRAWING NO: 87655

RESTRICTED TO: --

CUSTOMER DRAWING

SCALE: 4:1

SHEET: 1 OF 1

REV: M4