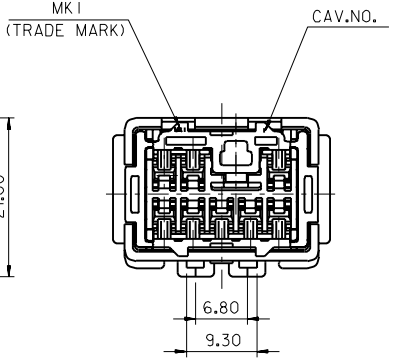
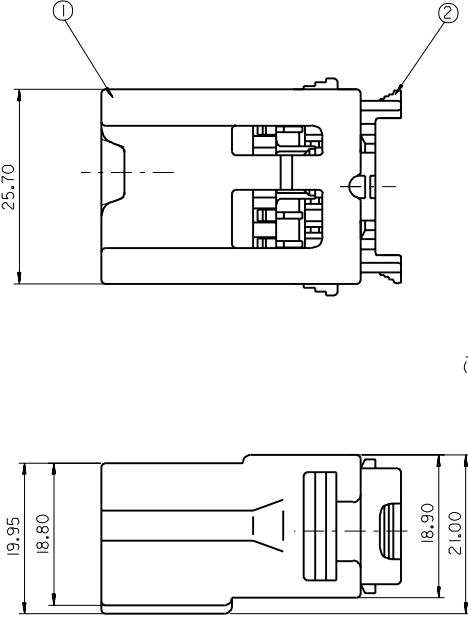
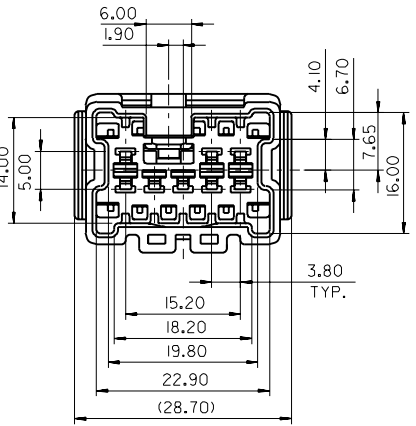


PROJECT NO. SIMILAR ITEM DWG. NO. SD-35282-0810

E D C B

DO NOT SCALE DRAWING DIMENSION IN METRIC



	PART NO.	PART NAME	MATERIAL
①	35282-0890	UNICONN MALE HOUSING-8P	PBT,NATURAL
②	35283-0881	UNICONN MALE TPA-8P	PBT,BLACK

352820810	35282-0810	B	REV. DESCRIPTION	MAJOR SYMBOLS	GENERAL TOLERANCES: (UNLESS SPECIFIED)	SCALE 1:1	DESIGN UNITS 0.25mm 0.1INCH	THIRD ANGLE PROJECTION	TITLE UNICONN MALE ASS'Y-8P	DIMENSIONS: INCH DIM ONLY	SHT. REV. REVISE ON CAD ONLY
MATERIAL NO.	ENG. NO.	REV.	DESCRIPTION	MAJOR SYMBOLS	GENERAL TOLERANCES: (UNLESS SPECIFIED)	SCALE 1:1	DESIGN UNITS 0.25mm 0.1INCH	THIRD ANGLE PROJECTION	TITLE UNICONN MALE ASS'Y-8P	DIMENSIONS: INCH DIM ONLY	SHT. REV. REVISE ON CAD ONLY

MX-A2