

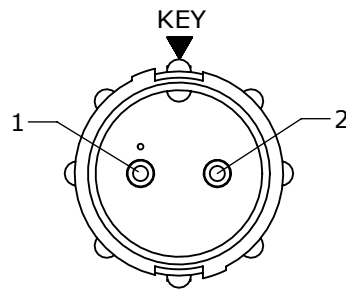
CUSTOMER PRINT

PART NUMBER: 8280-XPG-3XX

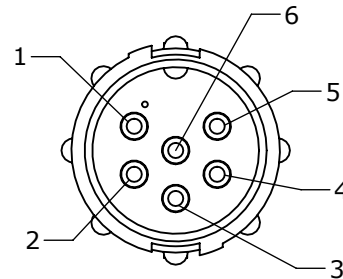
NOTES:
1. ALL PARTS TO BE BULK PACKED

ASSY P/N	GROMMET FOR CABLE O.D.
8280-XPG-3DC	DAISY CHAIN
8280-XPG-311	0.09-0.14 [2.3-3.5mm]
8280-XPG-315	0.15-0.17 [3.8-4.3mm]
8280-XPG-318	0.18-0.20 [4.6-5.1mm]
8280-XPG-321	0.21-0.23 [5.3-5.8mm]

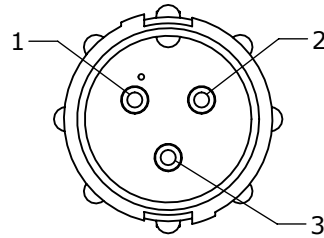
KIT P/N	NO. OF CONTACTS
8280-2PG-3XX	(2)-#20
8280-3PG-3XX	(3)-#20
8280-4PG-3XX	(4)-#20
8280-5PG-3XX	(5)-#20
8280-6PG-3XX	(6)-#20
8280-7PG-3XX	(7)-#20
8280-8PG-3XX	(8)-#20
8280-XPG-3XX	



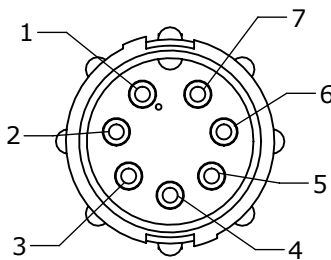
FACE VIEW
8280-2PG-3XX



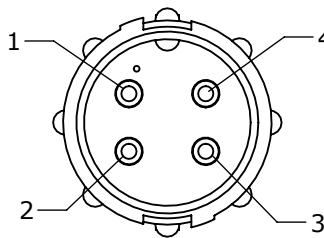
FACE VIEW
8280-6PG-3XX



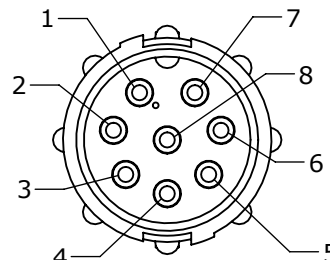
FACE VIEW
8280-3PG-3XX



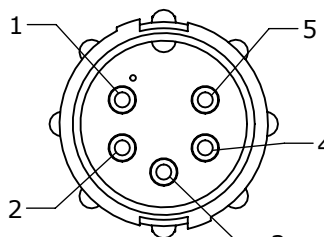
FACE VIEW
8280-7PG-3XX



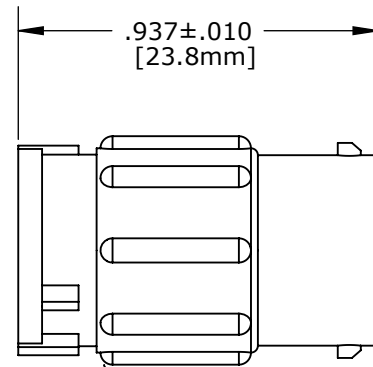
FACE VIEW
8280-4PG-3XX



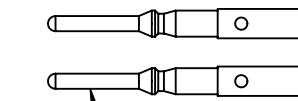
FACE VIEW
8280-8PG-3XX



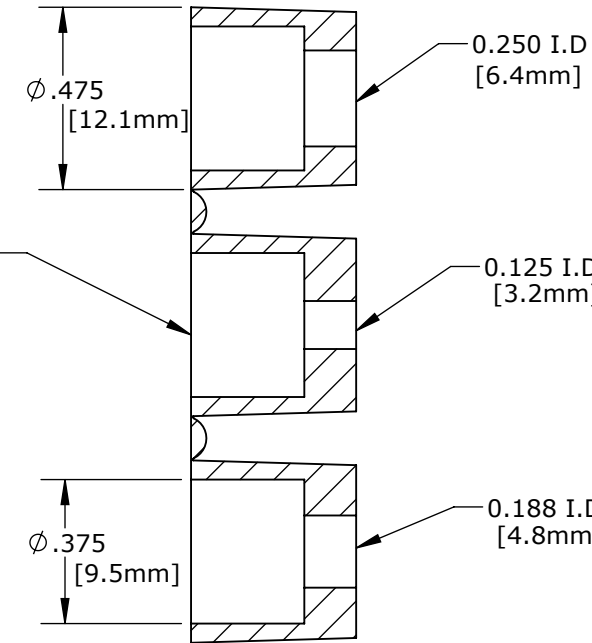
FACE VIEW
8280-5PG-3XX



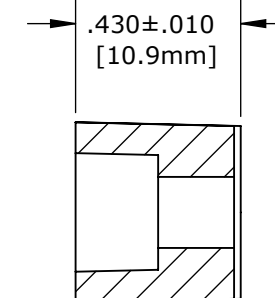
CABLE CONNECTOR, MALE
MAT'L: NYLON, BLACK
NO. OF POSITIONS: SEE CHART



(2-8) #20 PIN CONTACTS
MAT'L: GOLD PLATED,
COPPER ALLOY



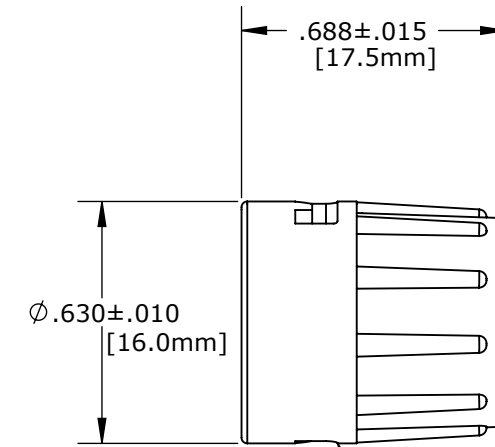
GROMMET, DAISY CHAIN
FOR 8280-XPG-3DC
MAT'L: RUBBER, BLACK



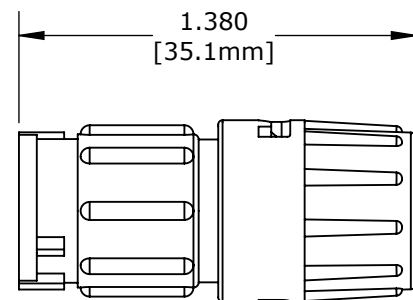
0.125 I.D
[3.2mm]

0.188 I.D
[4.8mm]

GROMMET
MAT'L: RUBBER, BLACK
GROMMET SIZE: SEE CHART



BACKSHELL
MAT'L: NYLON, BLACK



SHOWN ASSEMBLED KIT
FOR CUSTOMER REFERENCE ONLY

DIMENSIONS IN BRACKET [] ARE METRIC.

CUSTOMER APPROVAL

THIS DOCUMENT CONTAINS CONFIDENTIAL INFORMATION PROPRIETARY TO CONXALL CORPORATION. ANY REPRODUCTION, DISCLOSURE, OR USE OF THIS DOCUMENT /INFORMATION IS EXPRESSLY PROHIBITED UNLESS AUTHORIZED IN WRITING BY CONXALL CORPORATION.

APPROVED BY: _____

DATE: _____

RoHS COMPLIANT

A	AN	11-03-11	DRAWING CREATED PER DOR 11-E149SL
REV.	INIT.	DATE	DESCRIPTION
	AN	11-03-11	
<small>ALL INFORMATION ILLUSTRATED IS THE PROPERTY OF "CONXALL CORPORATION". UNAUTHORIZED DUPLICATION OR DISTRIBUTION OF THIS DOCUMENT IS PROHIBITED.</small>			<p>601 E. WILDWOOD VILLA PARK, IL 60181</p>
<small>ALL UNITS ARE IN FEET, INCHES, FRACTION OF INCHES AND DECIMALS. UNLESS OTHERWISE SPECIFIED TOLERANCES: 3 PLACE DECIMALS ±0.010 ANGLES ±1° FRACTIONS ±1/16</small>			
<small>△ - CRITICAL CHARACTERISTIC FLAG PER SPEC. XXXX</small>			TITLE: CABLE TO CABLE CONN. ASS'Y (2-8) #20 PIN CONTACTS MINI-CON-X CUSTOMER: STANDARD PRODUCT
FILE:	SIZE:	SHEET:	PART NUMBER:
8280-XPG-3XX	B	1 OF 1	8280-XPG-3XX
DIRECTORY:	SLW		REV A