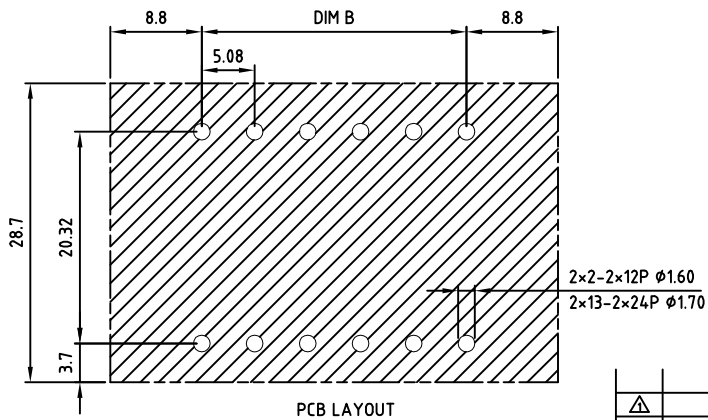
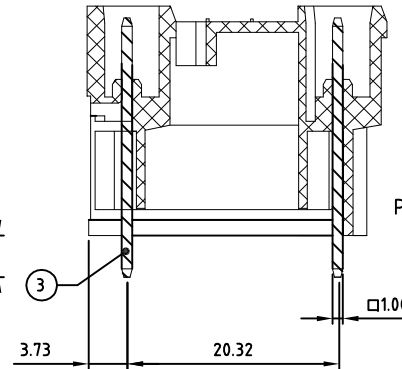
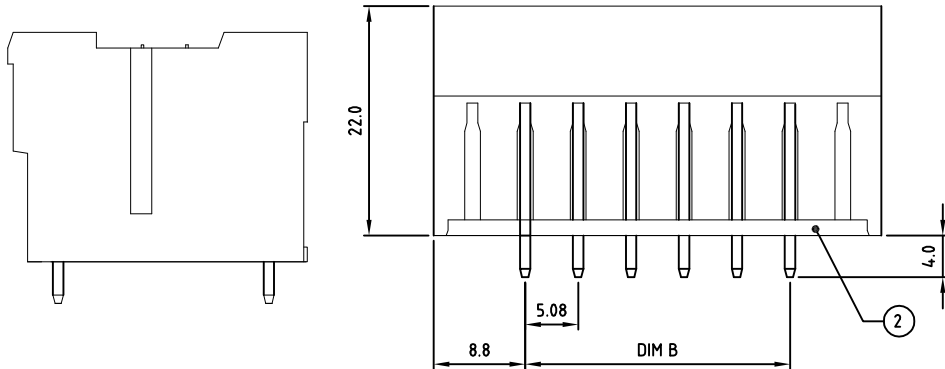
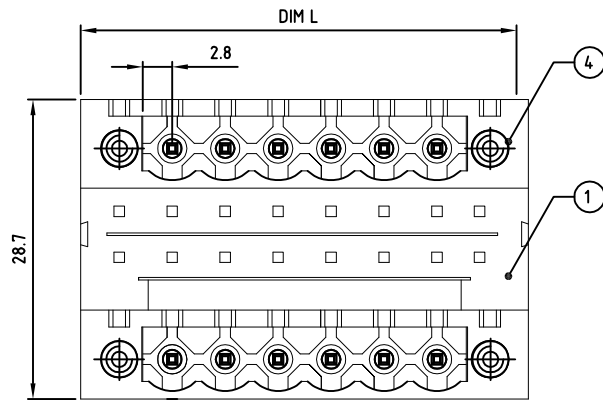


Transfer or duplication of this document as well as the utilisation or communication of its content are not permitted unless express consent is granted. Violations give rise to claims for damages. All rights reserved in case of patent, utility model or design patent registrations.



Technical data

- 1.Nominal voltage: 300V/15A
PITCH:5.08mm
- 2.Insulation Withstanding Voltage:
AC 1600V/MIN
- 3.Insulation Resistance:
1000M Ω or more at DC500V
- 4.Operating temperature range:-40°C ~ 115°C
Soldering temperature:250°C \pm 10°C /5s
- 5.Safety approval:
- 6.RoHS Compliance
- 7.Undimensioned Tolerances:

Dim.L=(1/2P+2)x5.08+2.3		
Dim.B=(1/2P-1)x5.08		
P= number of poles 4-48P		
0-30mm	± 0.15	± 0.20
over 30mm-60mm	± 0.20	± 0.25
over 60mm-90mm	± 0.25	± 0.30
over 90mm	± 0.30	± 0.40

Part No.:

OSTVLXX5250

No. of Poles	COLOR
02 2 Poles	0: Black
03 3 Poles	2: Red
...	3: Orange
24 24 Poles	4: Yellow
	5: Green (Standard)
Nonstandard colors	6: Blue
Mins could apply	8: Grey

4	FLANGE NUT	BRASS		4
3	Long PIN	COPPER	TIN PLATED	P
2	COVER	PA66 UL94V-0		1
1	BODY	PA66 UL94V-0		1
ITEM	NAME OF PART	MATERIAL	NOTES	Q"TY
DWG	Marvin Zhang	DATE	2017.12.08	UNITS: MM SHEET: 1 OF 1 Tolerance
CHK.	Marvin Zhang	DATE	2017.12.08	SCALE: NONE 2:1 (:) REV: A X. ± 0.50
APP.		DATE		OSTVL5.08 Series W/F type X.X ± 0.30 Right-Angle (90D) X.XX ± 0.10
			TITLE:	X* $\pm 1^{\circ}$
			PART NO. OSTVLXX5250	
			DWG NO. OSTVLXX5250.dwg	

SIGN	DESCRIPTION	CHK.	DATE



ON-SHORE TECHNOLOGY, INC.