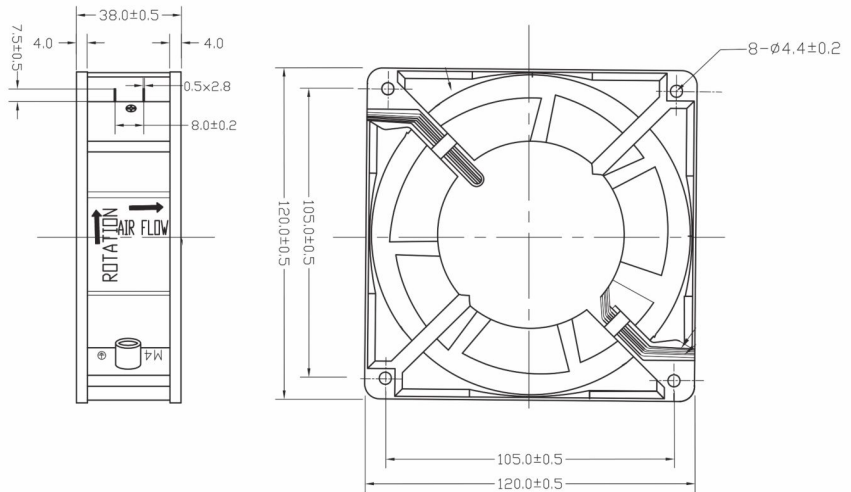


# OA109AP XC Series



AC Fans - 115, 230V  
120mm x 38mm (4.75" x 1.5")



<b>Frame</b>	Die Cast Aluminum, Black Finish	<b>Operating Temperature</b> -10°C ~ +65°C  <b>Storage Temperature</b> -20°C ~ +80°C  <b>Life Expectancy</b> 60,000 Hours (L10 at 40°C)  <b>Available Options</b> IP / Salt Fog Ratings  Weight: 1.2 lbs.	
<b>Impeller</b>	PBT, UL94 V-0 Plastic		
<b>Power Connection</b>	2x Lead Wires, UL 1430 24 AWG 300mm, or Terminals		
<b>Motor</b>	AC Capacitor Induction, Thermally Protected		
<b>Bearing System</b>	Ball Bearings		
<b>Dielectric Strength</b>	1500VAC/min, <1mA		
<b>Insulation Resistance</b>	≥10MΩ @ 500V DC		

Part Number	Rated Voltage (Volts AC)	Voltage Range (Volts AC)	Frequency (Hertz)	Rated Power (Watts)	Rated Current (Amps)	Rated Speed (RPM)	Max Airflow (CFM)	Noise Level (dBA)	Max Static Pressure (\"H <sub>2</sub> O)
OA109AP-11-1*BXC	115	100 ~ 125	50 / 60	21 / 22	0.17 / 0.18	2800 / 3300	110 / 131	43 / 47	0.38 / 0.49
OA109AP-22-1*BXC	230	200 ~ 250	50 / 60	21 / 22	0.10 / 0.11	2800 / 3300	110 / 131	43 / 47	0.38 / 0.49

\* Insert T for Terminal type power connection, or W for Wire Lead type power connection.