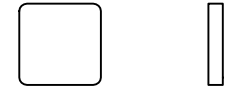
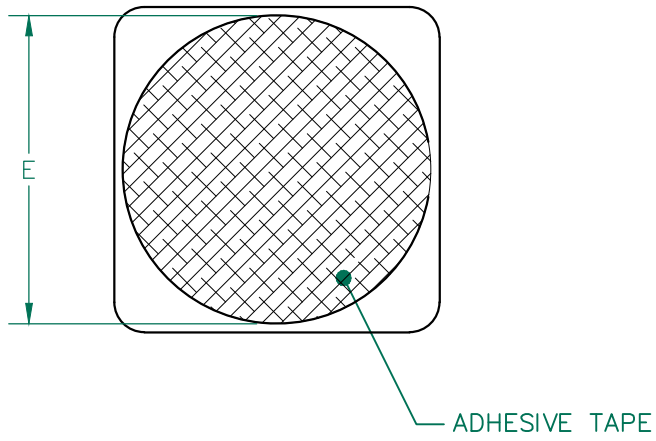
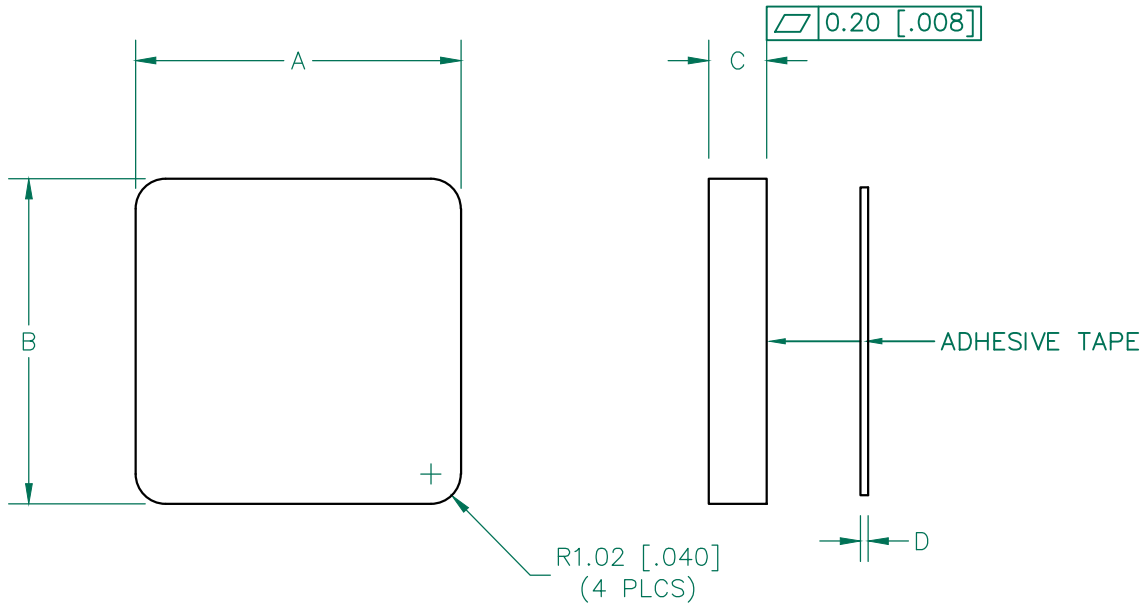


SCALE DRAWING 1:1



MP0433-000



NOTES:

1. CORE: MP0433-0B0.
2. ADHESIVE: P/N 21213
3. REFERENCE 3M TAPE 468MP ADHESIVE TRANSFER TAPE OR ENGINEER APPROVED ALTERNATIVE.
4. COSMETIC SPECIFICATION REFER TO WI-QA-038.

DIMENSIONS:

A	11.00 [.433]	±	0.22 [.009]
B	11.00 [.433]	±	0.22 [.009]
C	1.96 [.077]	±	0.20 [.008]
D	0.13 [.005]		TYP.
E	10.41 [.410]		TYP.

WEIGHT/1000 1.16 kgs [2.56 Lbs]

DIMENSIONS ARE IN mm [INCHES].				This print is the property of Laird Tech. and is loaned in confidence subject to return upon request and with the understanding that no copies shall be made without the written consent of Laird Tech. All rights to design or invention are reserved.			
J	UPDATE THE LOGO	06/19/15	QIU				
H	CHANGE DIMENSION D	07/08/09	JRK				
G	REMOVE PULLTAB REVISE NOTE #3	06/11/09	JRK				
F	UPDATE COMPANY LOGO AND NOTE #3	12/10/08	JRK				
E	CHANGE TOLERANCE ON C DIMENSION	01/06/06	JRK				
D	STANDARDIZE PRINT FORMAT	09/22/05	JRK	PROJECT/PART NUMBER:	REV	PART TYPE:	DRAWN BY:
C	MODIFY NOTE 2 TO ADD PURCHASE P/N	10/08/04	JRK	MP0433-000	J	FERRITE PLATE	TMB
B	ADD PART WEIGHT	04/06/04	TMB	DATE:	SCALE:	MATERIAL:	
A	ORIGINAL DRAFT	04/01/04	TMB	04/01/04	4 : 1	Ferrite	
REV	DESCRIPTION	DATE	INT	CAD #	TOOL #		
				MP0433-000-J	P0433		