



Accessories - Miniature power relay

- Sockets
- Plug-in modules
- Retaining clip
- DIN-Rail mountable



Sockets - ES15 series

Technical data

1. Function

Plug-in sockets for mounting miniature power relays series RM (all Sockets) and RA (ES15/4N only) on DIN-Rail TS 35. Complementary plug-in slot for additional modules and retaining clip.

2. Mechanical design

Self-extinguishing plastic housing
 Mounted on DIN-Rail TS 35 according to EN 60715
 Mounting position: any
 Shockproof terminal connection according to VBG4 (Philips Gr.1 required), IP rating IP20
 Initial torque: 0.7Nm
 Terminal capacity:

- 1 x 0.5 to 2.5mm² with/without multicore cable end
- 1 x 4mm² without multicore cable end
- 2 x 0.5 to 1.5mm² with/without multicore cable ends
- 2 x 2.5mm² flexible without multicore cable ends

3. Electrical data

Rated voltage: 300VAC
 Overvoltage resistance: >3000V

4. Ambient conditions

Ambient temperature: -40°C to 85°C
 Relative humidity: 15% to 85%

5. Montage

After fixing the socket on DIN rail the optional retaining clip has to be fixed on the socket. Next the optional plug-in module has to be inserted. At last the relay can be placed and locked by the retaining clip.

6. Plug-in modules

Modul	Function
M21P	recovery diode 6-220VDC (+A2, -A1)
M21N	recovery diode 6-220VDC (-A2, +A1)
M31R	LED and recovery diode 6-24VDC (+A2, -A1)
M41R	LED and recovery diode 6-24VDC (-A2, +A1)
M53	RC-element 110-230VAC
M61R	LED 6-24V AC/DC
M71	Varistor 24VAC/DC
M73	Varistor 230VAC/DC
M63R	LED 110-230V AC/DC
M93G	Varistor and LED 110VAC to 230VAC
Type 102	Leakage resistance 110VAC to 230VAC

7. Retaining clip

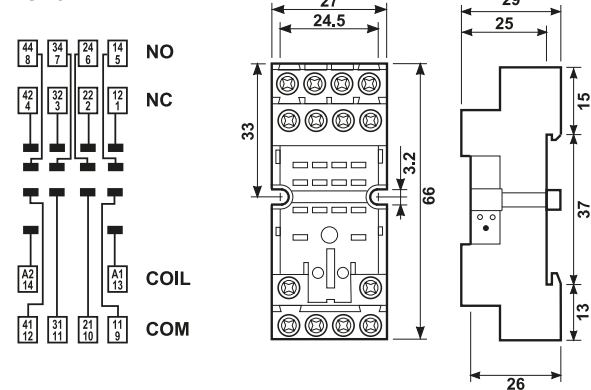
HB/ES15 Plastic clip
 HB/RM-RA Metal clip

8. Designation label

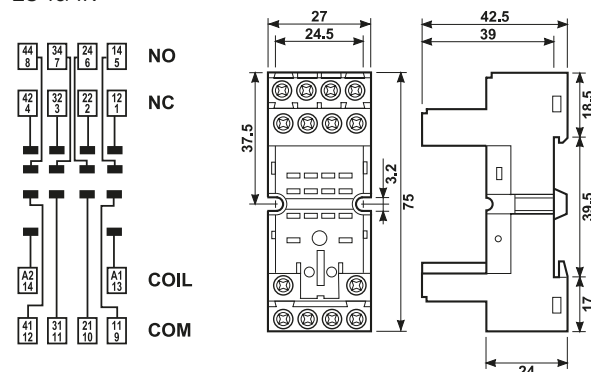
Included.

9. Connections and dimensions

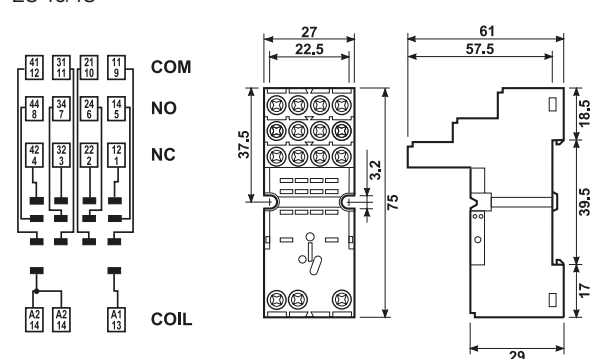
ES 15/4B



ES 15/4N



ES 15/4S



Sockets - RSS214 series

Technical data

1. Function

Plug-in socket for mounting miniature power relays series RM and RA on DIN-Rail TS 35. Complementary plug-in slot for additional modules and retaining clip.

2. Mechanical design

Self-extinguishing plastic housing
 Mounted on DIN-Rail TS 35 according to EN 60715
 Mounting position: any
 Shockproof terminal connection according to VBG4 (Philips Gr.1),
 IP rating IP20
 Initial torque: 0.7Nm
 Terminal capacity:
 1 x 0.5 to 2.5mm² with/without multicore cable end
 1 x 4mm² without multicore cable end
 2 x 0.5 to 1.5mm² with/without multicore cable end
 2 x 2.5mm² flexibel without multicore cable end

3. Electrical data

Rated voltage: 300VAC
 Overvoltage resistance: >3000V

4. Ambient conditions

Ambient temperature: -25°C to 100°C
 Relative humidity: 15% to 85%

5. Mounting

After fixing the socket on DIN rail the retaining clip has to be fixed on the socket. Next the optional plug-in module has to be inserted. At last the relay can be placed and locked by the retaining clip.

6. Plug-in modules

Modul	Function
EM03	RC-element 110-230VAC
EM04	Varistor 24VAC
EM05	Varistor 230VAC
EM10	LED 110-230V AC
EM11	LED 6-24V AC/DC
EM12	LED+Diode 6-24V DC (+A1)

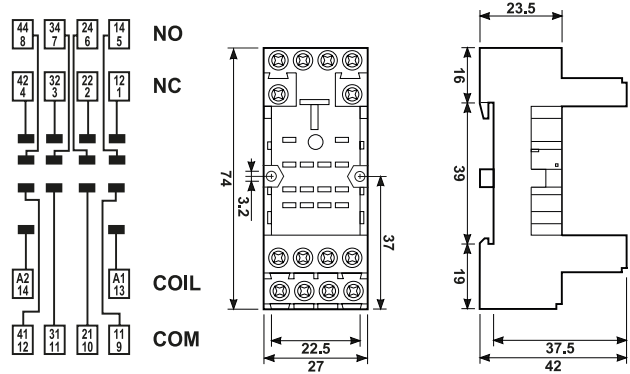
7. Retaining clip

HB/RSS214 Metal clip

8. Designation label

Included

9. Connections and dimensions



TELE Haase Steuergeräte Ges.m.b.H.

Vorarlberger Allee 38
 A-1230 Wien, AUSTRIA

RELEASE 2016/12

Subject to alterations and errors

