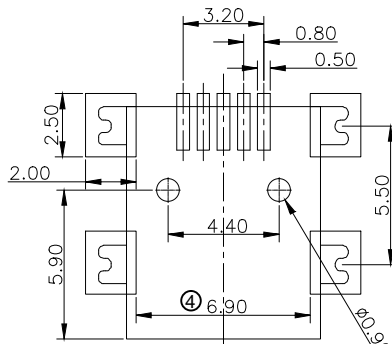
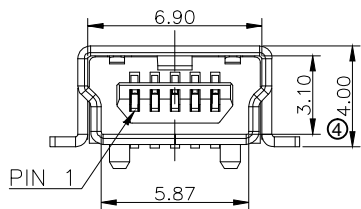
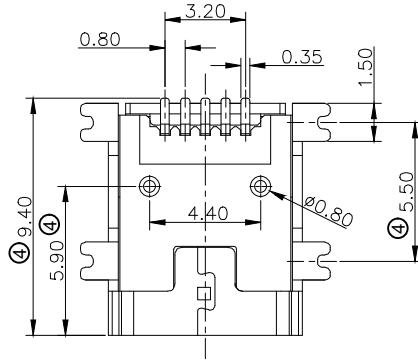
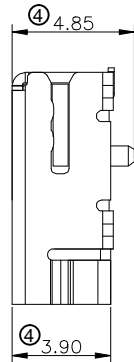
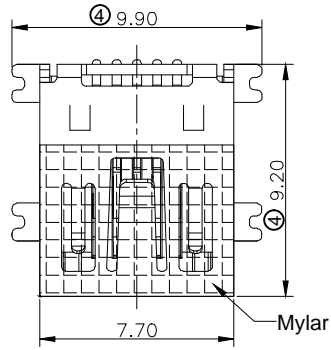


③ USB 2.0 COMPLIANT



Recommended P.C.Board Layout
(Tolerance: ±0.05)

④ NOTES:

④1. MATERIAL:

- 1.1 Housing: LCP+30%GF UL94V-0, Color Black
- 1.2 Contact : C5191-EH, T=0.25mm
- 1.3 Shell: C2680R-H, T=0.40mm

2. FINISH:

2.1 Contact:

- Contact Area: Selective 30u" Au
- Solder Area: 100u" MIN Tin Plated
- Under Plate: 50u" MIN Ni Plated

2.2 Shell: Ni Plated

④ 3. MECHANICAL:

- 3.1 Mating Force: 3.57 kgf MAX
- 3.2 Unmating Force: 0.3 kgf MIN
- 3.3 Durability: 5000 Cycles MIN

④ 4. ELECTRICAL:

- ⑥ 4.1 Current Rating: 1.8A Max
- 4.2 Dielectric Strength: 100V AC For 1 Minute
- 4.3 Contact Resistance: 50mΩ MAX
- 4.4 Insulation Resistance: 100MΩ MIN

⑤ 4.5 Voltage Rating: 30VAC

④ 5. OPERATING TEMPERATURE: -55°C To +85°C.

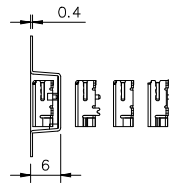
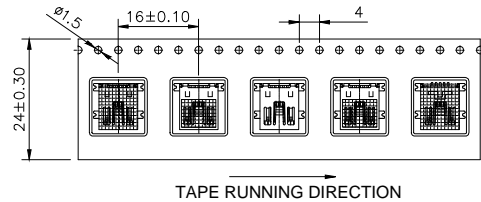
⑤④ 6. SOLDERING TEMPERATURE: +255°C±5°C for 3~5 S PACKING: Tape&Reel+mylar

RoHS compliant
Unit: mm

Scale	Free	⑥	Update current rating	12.05.2020	Luca		Date	Name	Customer-No.
TOLERANCE		⑤	Update	31.10.2019	Carson	Drawn	25.03.2006	Alex	ASSMANN WSW-No. A-USB B-M5-SMD-C
.X	±0.30	④	Update	23.05.2018	Segal	Approved	12.05.2020	Luca	
.XX	±0.20	③	Add "USB 2.0 COMPLIANT"	19.08.2013	Amy				
.XXX	±0.10	②	Update	07.07.2009	Dean				Drawing-No.
DIM	TOL	①	Drawn	25.03.2006	Alex				ASS 1456D CO
X.°	±5°								rev06
.X°	±3°								
Angle	TOL	Id.	Modification	Date	Name			Replace	SHEET



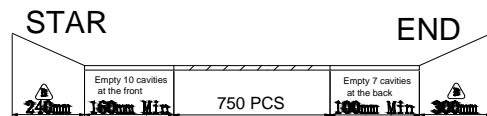
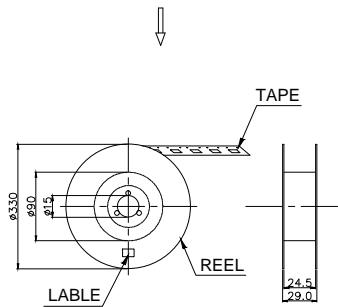
USB 2.0 COMPLIANT



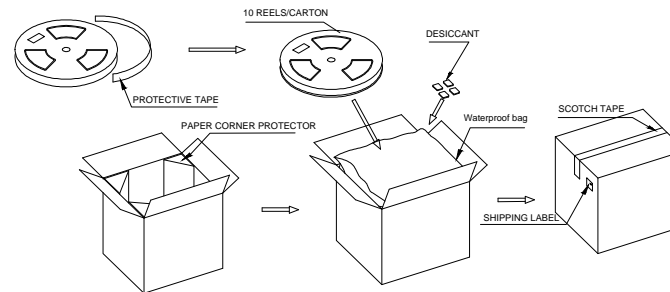
6	WATERPROOF BAG	1	PCS
5	PAPER CORNER PROTECTOR	4	PCS
4	SHIPPING LABEL	1	PCS
3	CARTON	1	PCS
2	DESCCANT	4	PCS
1	REEL	10	SET
ITEM	DESCRIPTION	QTY	UNIT

Notes:

- Quantity: 750 PCS/Reel/10 Reels/7.5K PCS/Carton. If the order or mantissa less than 5pcs, can reasonable select carton size.
- 4 bags desiccant/Carton.
- The carton sealed with scotch tape, and attach shipping label on the side.
- Carton size: A=A 35.5X35X33.5 cm, Reel size: Ø330X29 mm.



USER DIRECTION OF FEED



RoHS compliant
Unit: mm

G	④	Scale	Free	⑥	Update current rating	12.05.2020	Luca	Date	Name	Customer-No.	
		TOLERANCE		⑤	Update	31.10.2019	Carson	Drawn	25.03.2006	Alex	ASSMANN WSW-No. A-USB B-M5-SMD-C
H	④	.X	±0.30	④	Update	23.05.2018	Segal	Approved	12.05.2020	Luca	
		.XX	±0.20	③	Add "USB 2.0 COMPLIANT"	19.08.2013	Amy				
		.XXX	±0.10	②	Update	07.07.2009	Dean				
		DIM	TOL	①	Drawn	25.03.2006	Alex				
		X.°	±5°	Id.	Modification	Date	Name			Drawing-No.	ASS 1456D CO
.X°	±3°					Replace	SHEET				
	Angle	TOL									

1

2

3

4

5

6

7