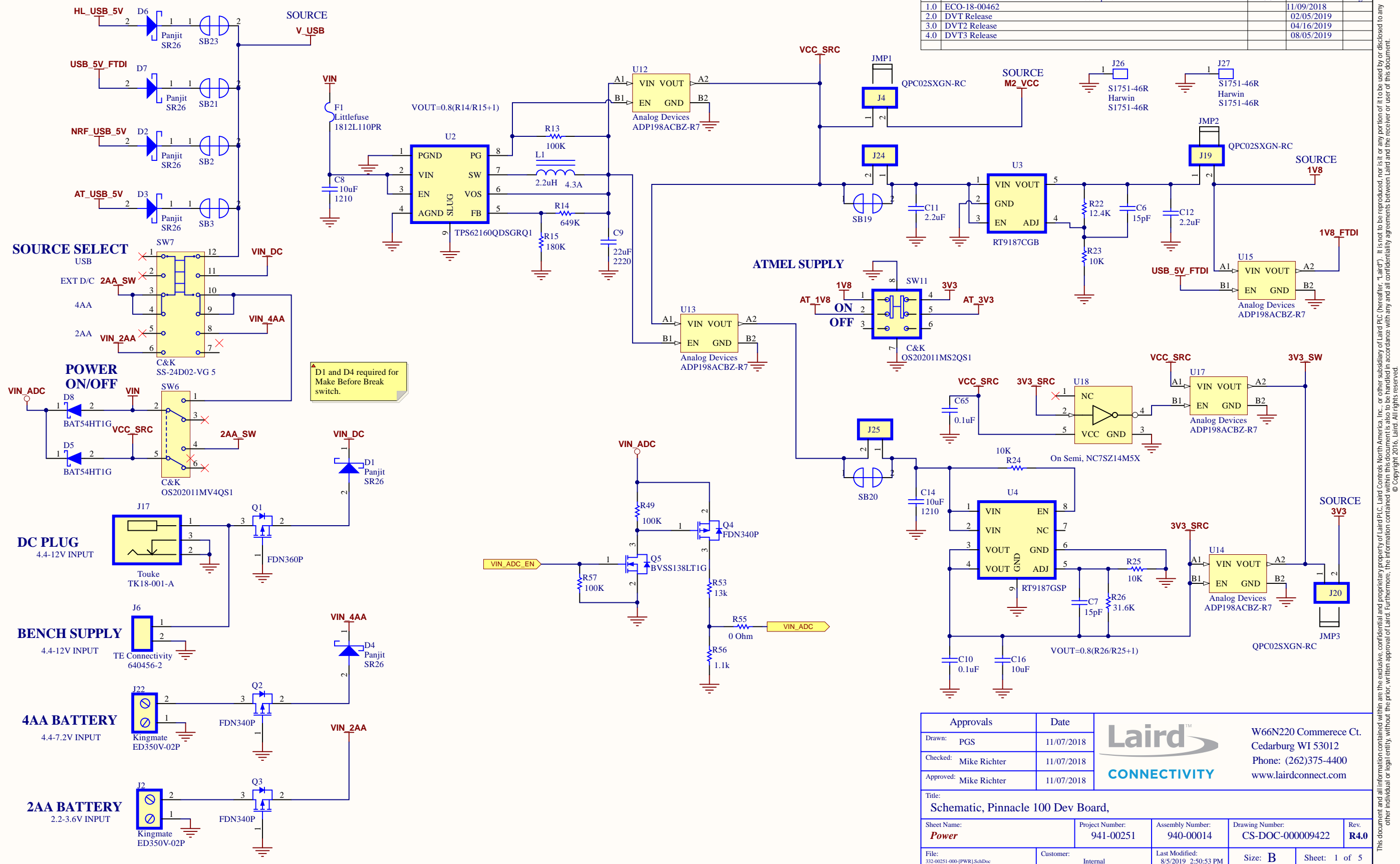


Rev.	Description	ECO #	Rev. Date	Eng.
1.0	ECO-18-00462		11/09/2018	
2.0	DVT Release		02/05/2019	
3.0	DVT2 Release		04/16/2019	
4.0	DVT3 Release		08/05/2019	



D1 and D4 required for Make Before Break switch.

Approvals		Date	
Drawn:	PGS	11/07/2018	
Checked:	Mike Richter	11/07/2018	
Approved:	Mike Richter	11/07/2018	

		W66N220 Commerce Ct. Cedarburg WI 53012 Phone: (262)375-4400 www.lairdconnect.com	
Title: Schematic, Pinnacle 100 Dev Board,			
Sheet Name: Power	Project Number: 941-00251	Assembly Number: 940-00014	Drawing Number: CS-DOC-000009422
File: 332-00251-000-PWR1SchDoc	Customer: Internal	Last Modified: 8/5/2019 2:50:53 PM	Size: B Sheet: 1 of 5

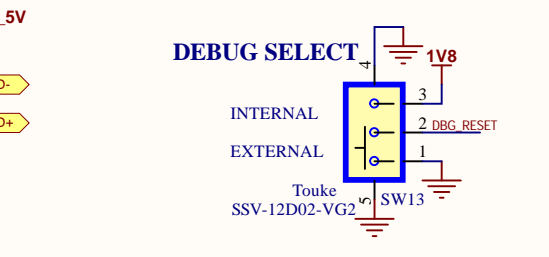
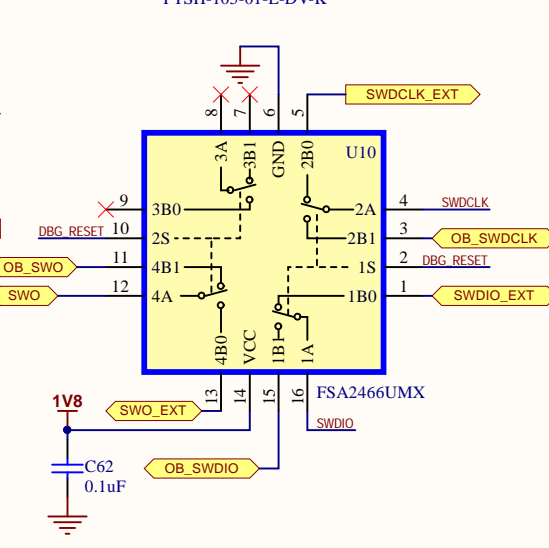
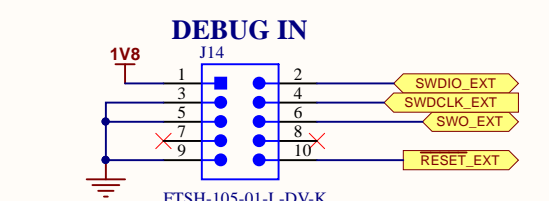
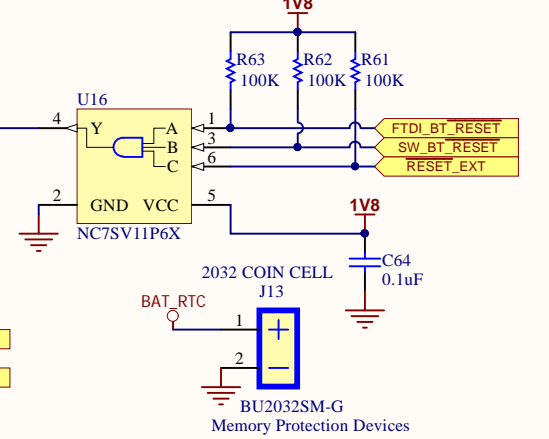
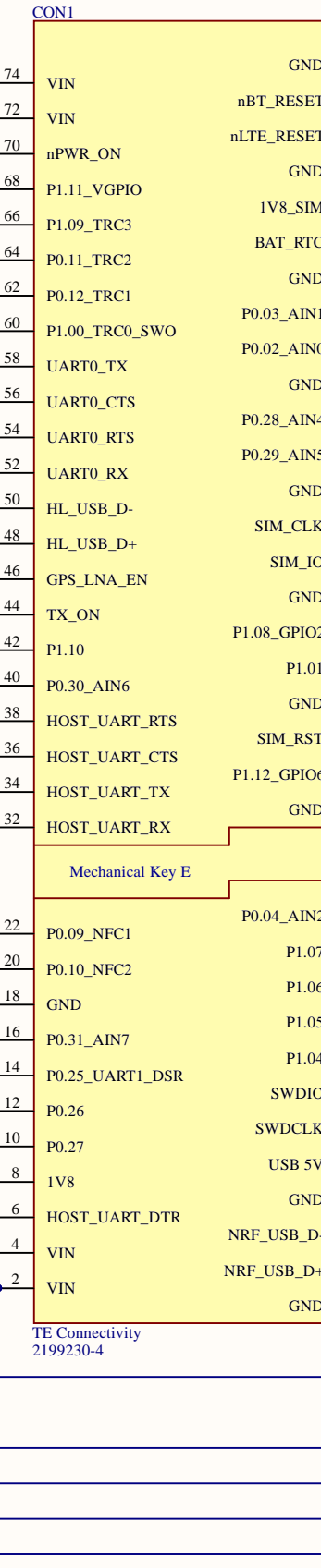
This document and all information contained herein are the exclusive, confidential and proprietary property of Laird PLC, Laird Controls North America, Inc. or other subsidiary of Laird PLC (hereafter, "Laird"). It is not to be reproduced, nor is it or any portion of it to be used by or disclosed to any other individual or legal entity, without the prior, written approval of Laird. Furthermore, the information contained within this document is also to be handled in accordance with any and all confidentiality agreements between Laird and the receiver or user of this document. © Copyright 2016, Laird. All rights reserved.

FTDI INTERFACE 1

FTDI INTERFACE 2

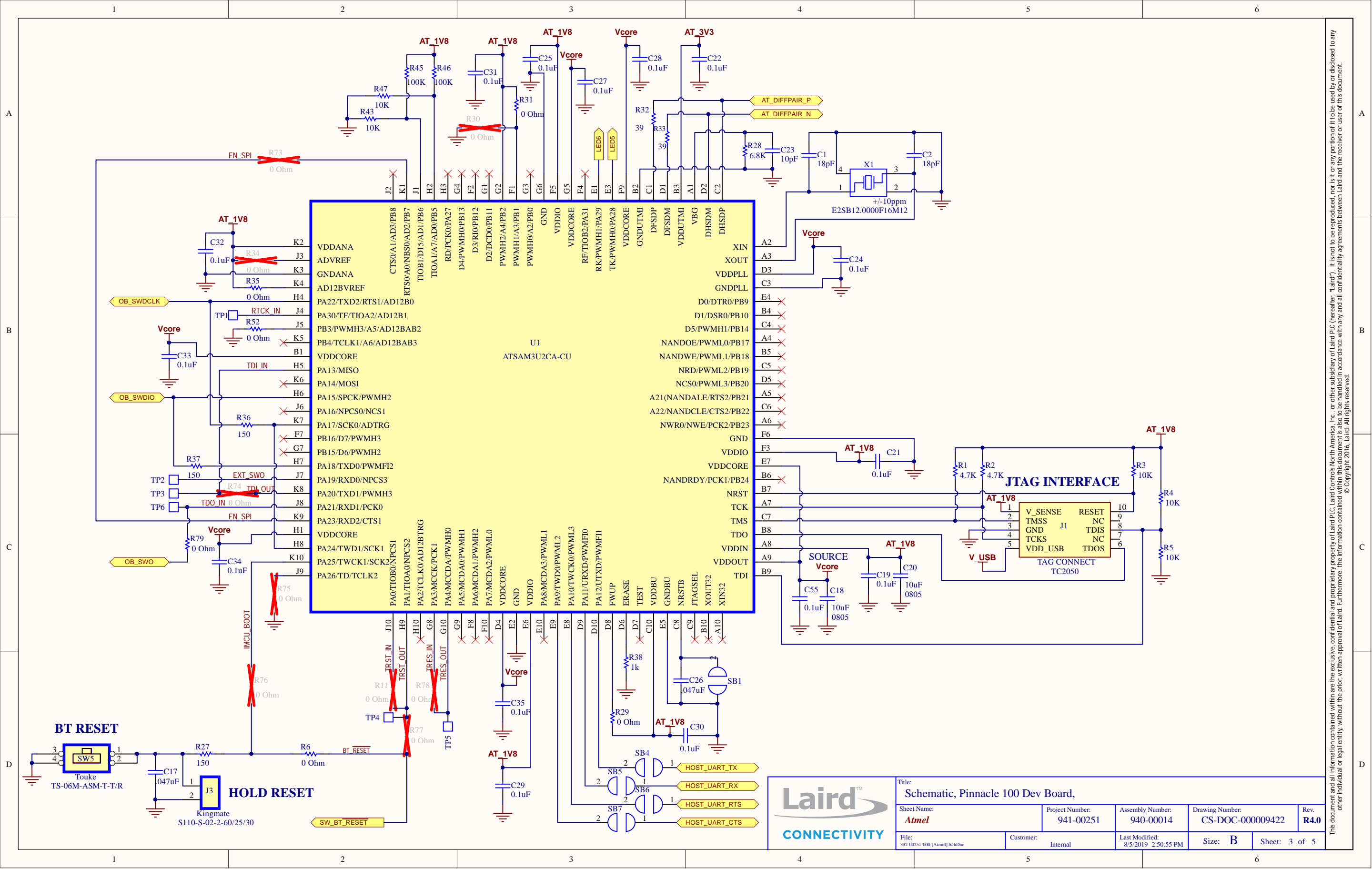
NFC COIL

FTDI INTERFACE 2



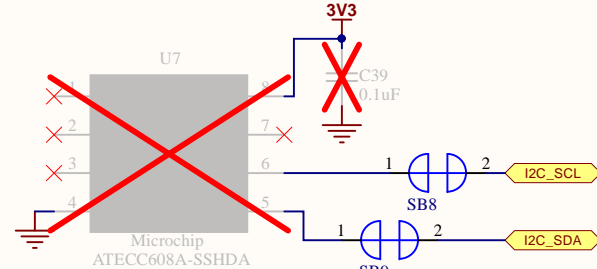
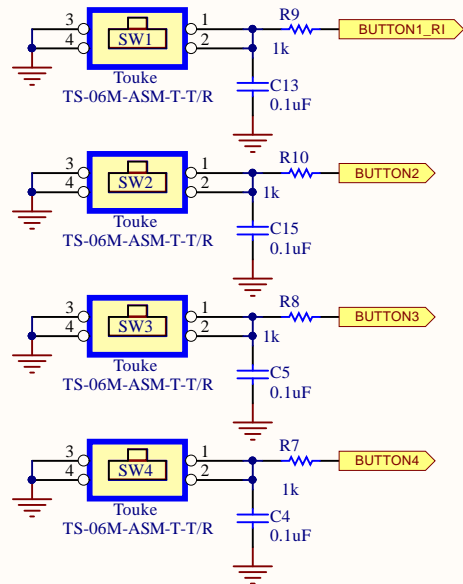
Title: Schematic, Pinnacle 100 Dev Board,				
Sheet Name: M2	Project Number: 941-00251	Assembly Number: 940-00014	Drawing Number: CS-DOC-000009422	Rev. R4.0
File: 332-00251-000-[M2].SchDoc	Customer: Internal	Last Modified: 8/5/2019 2:50:54 PM	Size: B	Sheet: 2 of 5

This document and all information contained herein are the exclusive, confidential and proprietary property of Laird PLC, Laird Controls North America, Inc. or other subsidiary of Laird PLC (hereafter, "Laird"). It is not to be reproduced, nor is it or any portion of it to be used by or disclosed to any other individual or legal entity, without the prior, written approval of Laird. Furthermore, the information contained within this document is also to be handled in accordance with any and all confidentiality agreements between Laird and the receiver or user of this document. © Copyright 2016, Laird. All rights reserved.

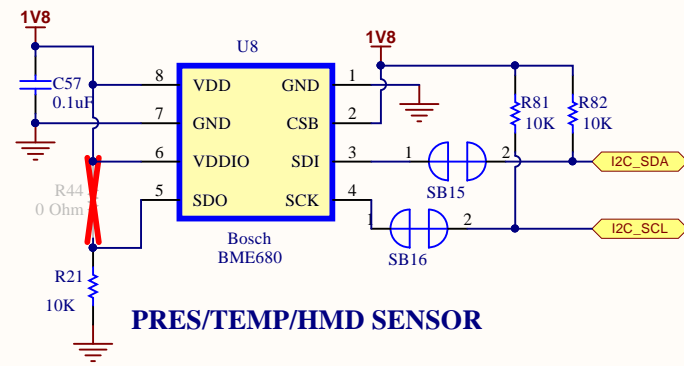


Title: Schematic, Pinnacle 100 Dev Board,		Project Number: 941-00251		Assembly Number: 940-00014		Drawing Number: CS-DOC-000009422		Rev. R4.0	
Sheet Name: Atmel		Customer: Internal		Last Modified: 8/5/2019 2:50:55 PM		Size: B		Sheet: 3 of 5	
File: 332-00251-000-Atmel1_SchDoc									

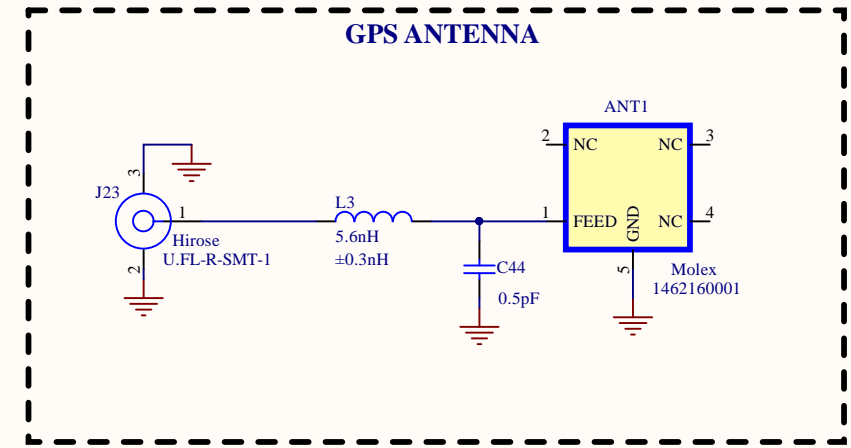
This document and all information contained within are the exclusive, confidential and proprietary property of Laird PLC, Laird Controls North America, Inc. or other subsidiary of Laird PLC (hereafter, "Laird"). It is not to be reproduced, nor is it or any portion of it to be used by or disclosed to any other individual or legal entity, without the prior, written approval of Laird. Furthermore, the information contained within this document is also to be handled in accordance with any and all confidentiality agreements between Laird and the receiver or user of this document. © Copyright 2016, Laird. All rights reserved.



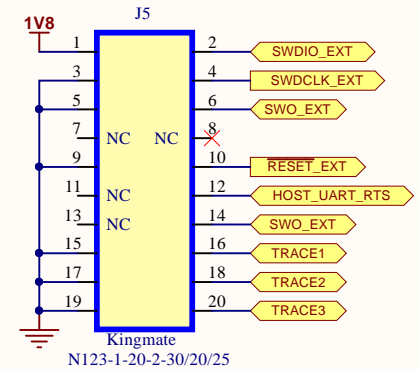
AUTHENTICATION



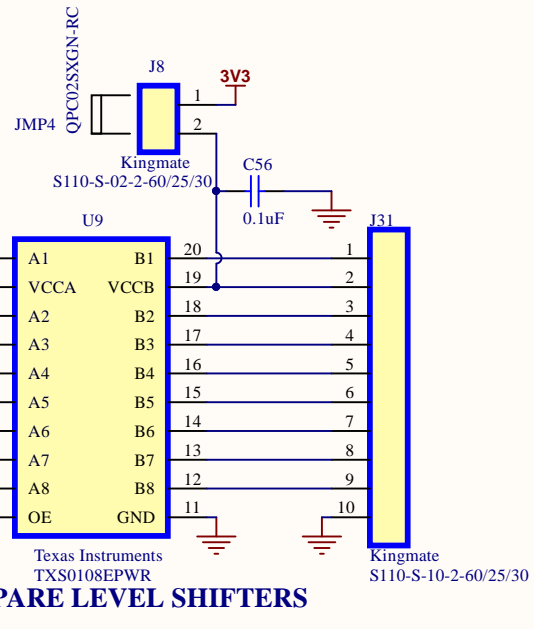
PRES/TEMP/HMD SENSOR



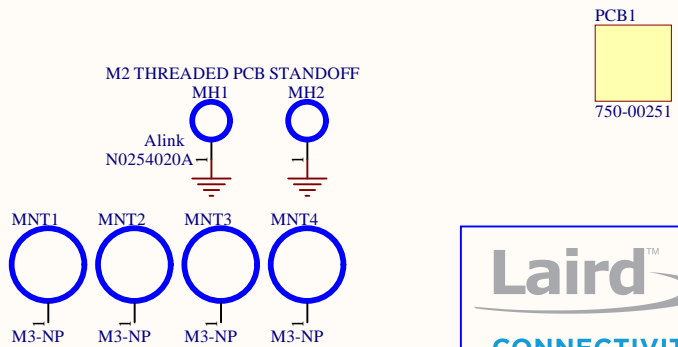
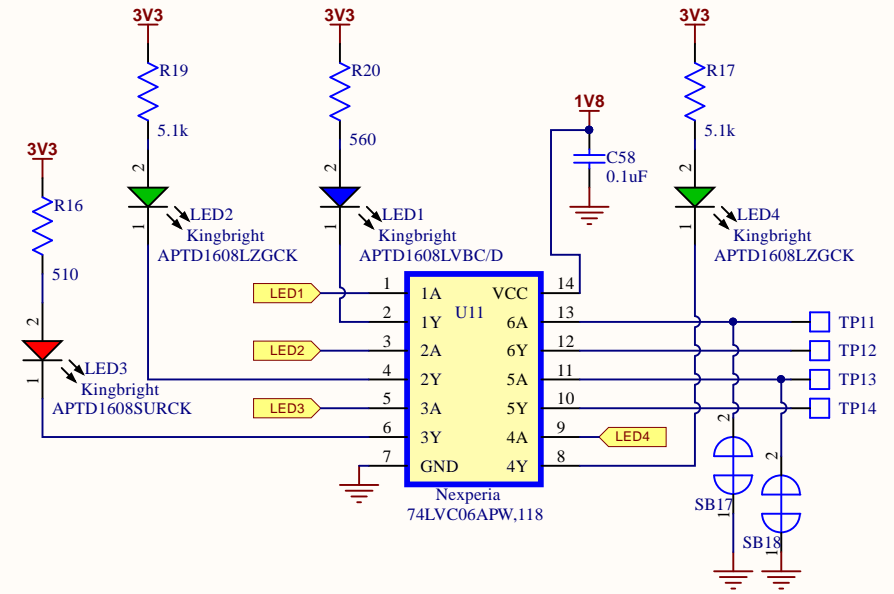
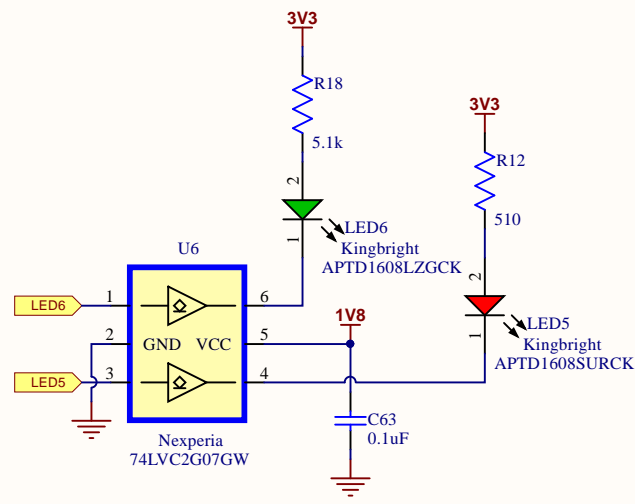
GPS ANTENNA



**TRACE INTERFACE
DEBUG IN**



SPARE LEVEL SHIFTERS

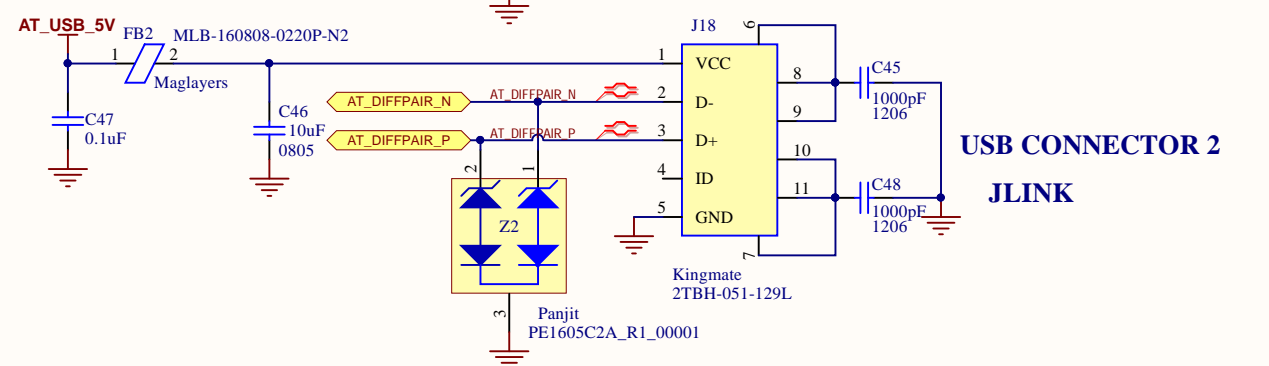
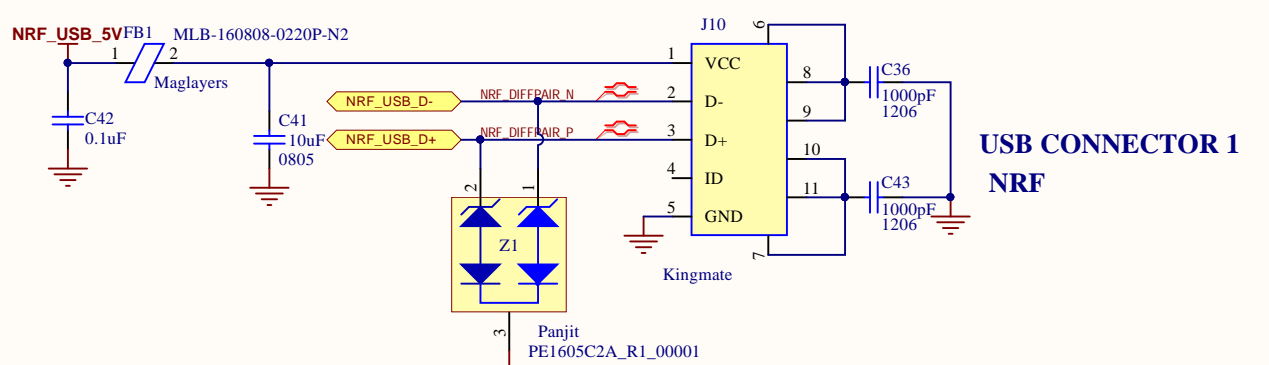
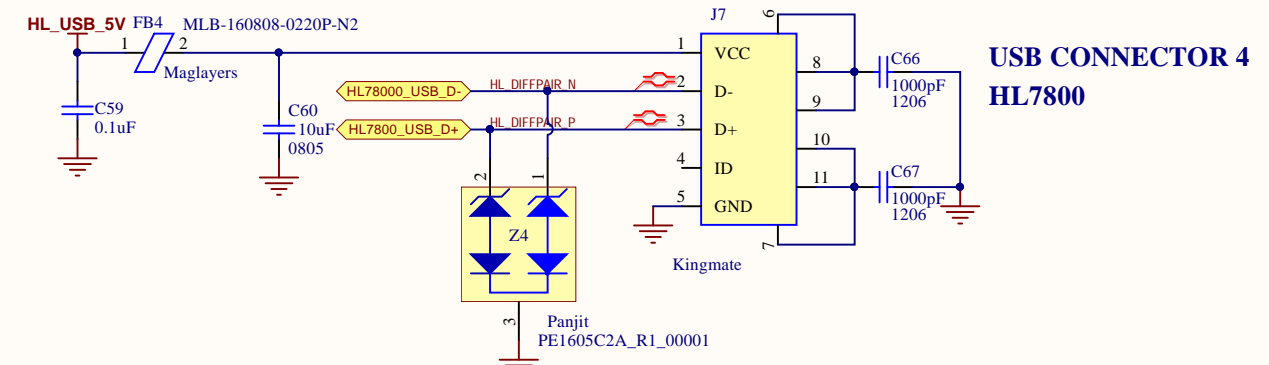
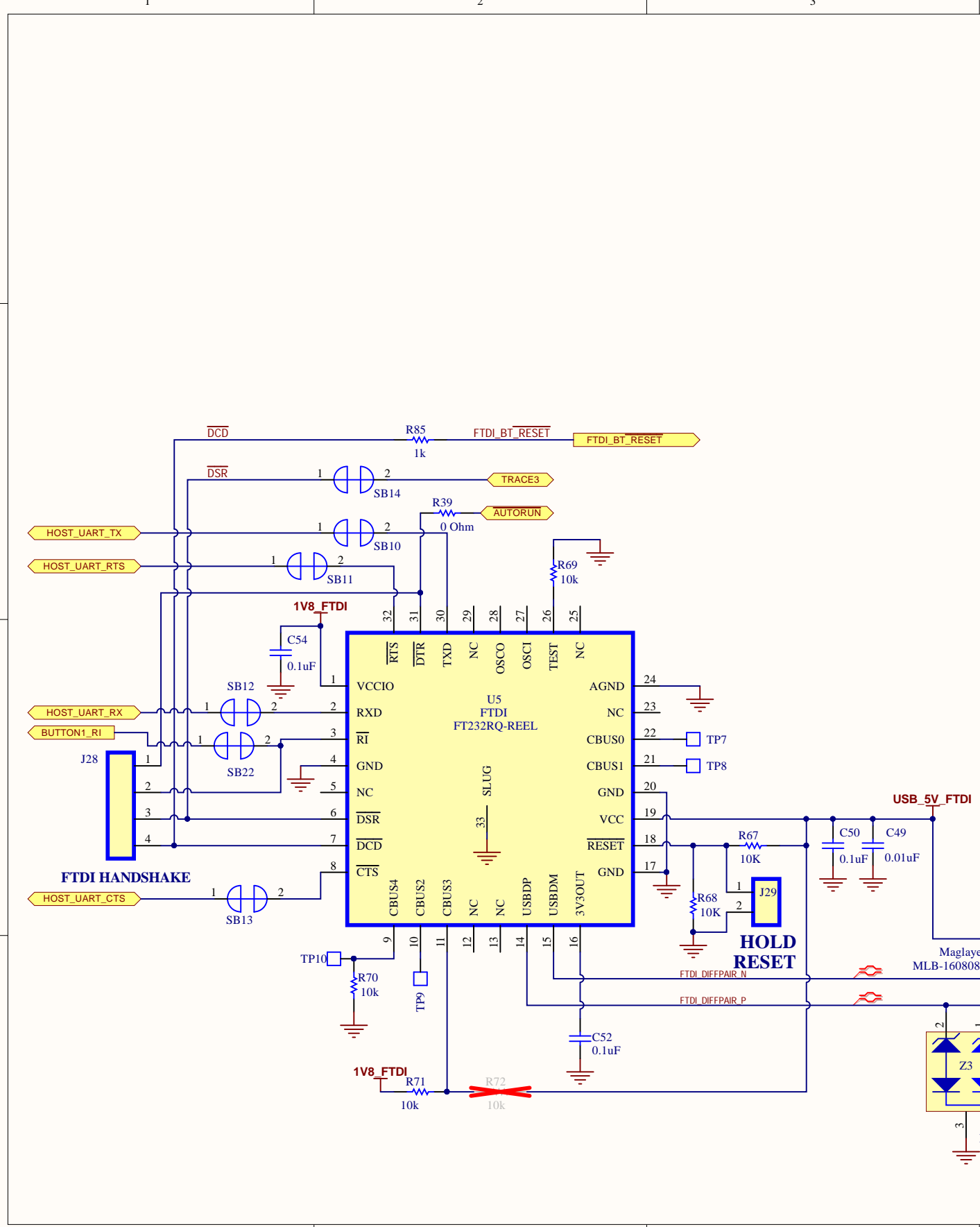


Laird CONNECTIVITY

Title: Schematic, Pinnacle 100 Dev Board,

Sheet Name: MISC	Project Number: 941-00251	Assembly Number: 940-00014	Drawing Number: CS-DOC-000009422	Rev: R4.0
File: 332-00251-000-[MISC].SchDoc	Customer: Internal	Last Modified: 8/5/2019 2:50:55 PM	Size: B	Sheet: 4 of 5

This document and all information contained within are the exclusive, confidential and proprietary property of Laird PLC, Laird Controls North America, Inc. or other subsidiary of Laird PLC (hereafter, "Laird"). It is not to be reproduced, nor is it or any portion of it to be used by or disclosed to any other individual or legal entity, without the prior, written approval of Laird. Furthermore, the information contained within this document is also to be handled in accordance with any and all confidentiality agreements between Laird and the receiver or user of this document. © Copyright, 2016, Laird. All rights reserved.



		Title: Schematic, Pinnacle 100 Dev Board,			
		Sheet Name: USB	Project Number: 941-00251	Assembly Number: 940-00014	Drawing Number: CS-DOC-000009422
File: 332-00251-000-[USB].SchDoc	Customer: Internal	Last Modified: 8/5/2019 2:50:56 PM	Size: B	Sheet: 5 of 5	

This document and all information contained within are the exclusive, confidential and proprietary property of Laird PLC, Laird Controls North America, Inc. or other subsidiary of Laird PLC (hereafter, "Laird"). It is not to be reproduced, nor is it or any portion of it to be used by or disclosed to any other individual or legal entity, without the prior, written approval of Laird. Furthermore, the information contained within this document is also to be handled in accordance with any and all confidentiality agreements between Laird and the receiver or user of this document. © Copyright 2016, Laird. All rights reserved.