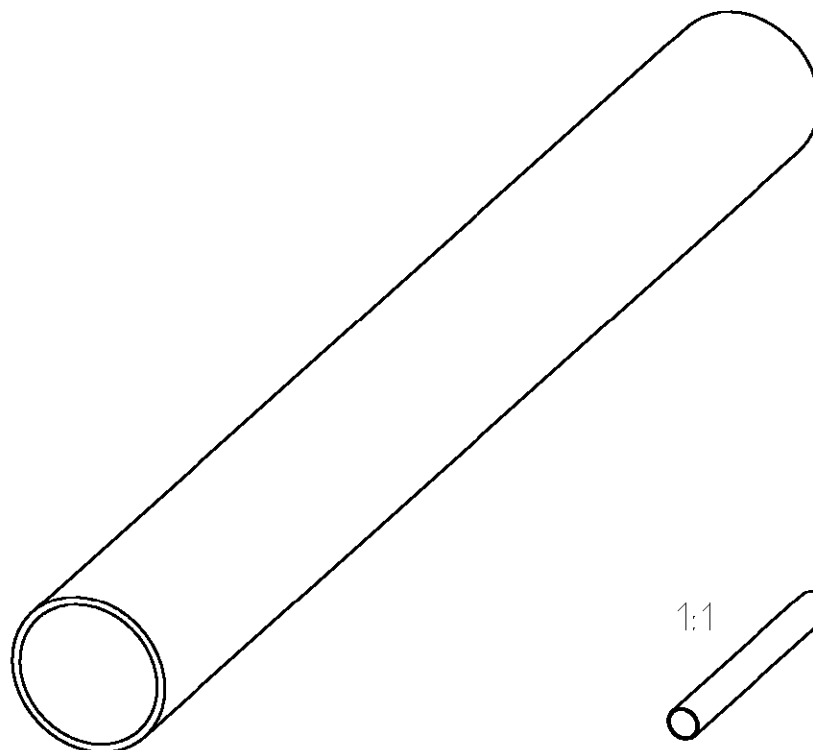


LOC	DIST	REVISIONS			
P	LTR	DESCRIPTION	DATE	DWN	APVD
A1	-				
	A	EGCO-0208-04	28JUL2004	ZA	-



1:1

GEWICHT : ~1g

2003

RELEASED FOR PUBLICATION

THIS DRAWING IS UNPUBLISHED.

BY TYCO ELECTRONICS CORPORATION. ALL RIGHTS RESERVED.

© COPYRIGHT 2003

DIMENSIONS:		DWN	06OCT2004		MATERIAL	-		FINISH	-			
mm		CHK	-		tyco Electronics		tyco Electronics AMP GmbH					
TOLERANCES UNLESS OTHERWISE SPECIFIED:		APVD	-				D - 64625 Bensheim					
0 PLC	±	PRODUCT SPEC	-		NAME TUBE Rohr							
1 PLC	±	APPLICATION SPEC	-									
2 PLC	±	WEIGHT	-		SIZE	CAGE CODE	DRAWING NO	RESTRICTED TO				
3 PLC	±				A 4	00779	C=4-1579007-7	-				
4 PLC	±				CUSTOMER DRAWING							
ANGLES	±°				SCALE	5:1		SHEET	1	OF 1	REV	A