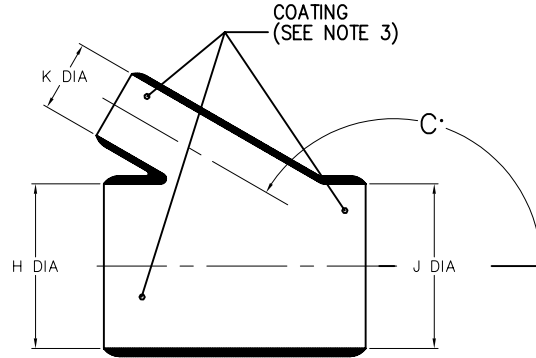
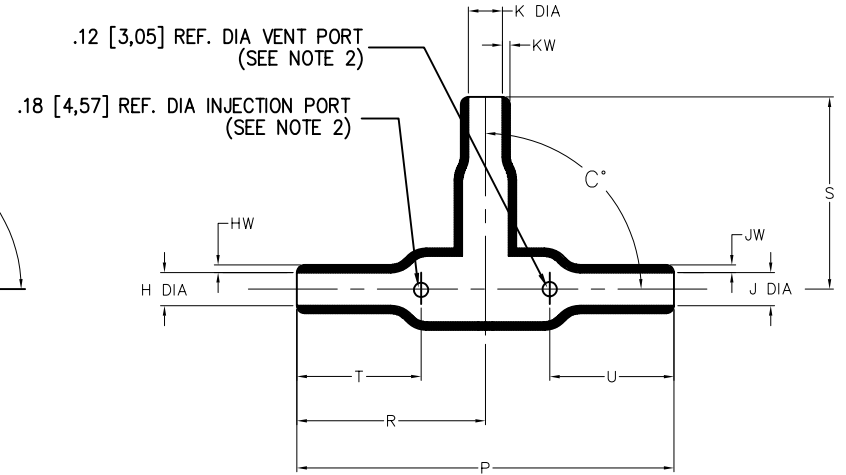


NOTES

1. ALL DIMENSIONS ARE IN $\frac{\text{INCHES}}{[\text{MILLIMETERS}]}$
2. DIMENSIONS APPEARING IN TABLE ARE AS FOLLOWS:
 - a - AS SUPPLIED
 - b - AFTER UNRESTRICTED RECOVERY
3. COATING (ADHESIVE) IS OPTIONAL. AS SUPPLIED DIMENSIONS APPEARING IN TABLE ARE FOR UNCOATED PARTS. WHEN COATING IS ADDED, ENTRY DIAMETERS WILL BE REDUCED BY .06 MAX.
4. MOLDING PORTS ARE OPTIONAL. WHEN -00 MODIFICATION NUMBER IS SPECIFIED MOLDING PORTS WILL BE LOCATED AS SHOWN.



AS SUPPLIED



AFTER UNRESTRICTED RECOVERY

REVISIONS		
LTR	DESCRIPTION	DATE
A	ECD-08-009707	04/17/2008

TABLE OF DIMENSIONS

PART DESCRIPTION	H & J		K		P	R	S	T	U	HW&JW	KW	C°	
	MIN	MAX	MIN	MAX	±10%	±10%	±10%	±10%	±10%	±20%	±20%	±10%	±5%
	a	b	a	b	b	b	b	b	b	b	b	a	b
322A434	$\frac{1.20}{[30,4]}$	$\frac{.60}{[15,3]}$	$\frac{.80}{[20,3]}$	$\frac{.40}{[10,2]}$	$\frac{3.25}{[82,6]}$	$\frac{1.62}{[41,1]}$	$\frac{1.50}{[38,1]}$	$\frac{1.23}{[31,2]}$	$\frac{1.23}{[31,2]}$	$\frac{.10}{[2,54]}$	$\frac{.077}{[1,96]}$	165	90

CUSTOMER DRAWING

UNLESS OTHERWISE SPECIFIED DIMENSIONS ARE INCHES. METRIC DIMENSIONS ARE IN BRACKETS.	DRAWN	DATE	 Raychem Molded Parts 305 Constitution Dr Menlo Park, CA 94025
	UNGUYEN	04/17/2008	
DECIMAL TOLERANCES	RPN	TITLE TRANSITION, 90 DEGREE, SIDE BREAKOUT, THINWALL	
.XXX ± 0.005 [0.13 mm] .XX ± 0.01 [0.25 mm] .X ± 0.1 [0.50 mm]	THIRD ANGLE PROJECTION		
ANGLE TOLERANCE .X ± 1 DEG.	SIZE B		CODE IDENT. NO. 06090
© 2008 Tyco Electronics Corporation. All rights reserved.		DWG. NO. 322A434	
DO NOT SCALE THIS DRAWING		SHEET 1 OF 2	

If this document is printed it becomes uncontrolled. Check for the latest revision

4

3

2

1

D

D

COMPATIBILITY CHART					
MATERIAL DASH NO.	MATERIAL DESCRIPTION	RT SPEC	COATING SLASH NO.	COATING SPEC	COATING DESCRIPTION
-3	POLYOLEFIN, SEMI-RIGID	RT-301	/42; /86	S-1017; S-1048	ADHESIVE
-4	POLYOLEFIN, FLEXIBLE	RT-1304	/164, /86	S-1017; S-1048	ADHESIVE
-5	ELASTOMER, FLEXIBLE	RT-501	/42,	S-1017	ADHESIVE
-6	SILICONE	RT-602	N/A		
-12	FLUOROELASTOMER	RT-1312	N/A		
-25	ELASTOMER, FLUID RESISTANT	RT-1325	/86	S-1048	ADHESIVE
-100	POLYOLEFIN, SEMI-FLEXIBLE ZEROHAL	RT-1323	/86; /180	S-1048; S-1030	ADHESIVE

C

C

D

D

ORDERING INFORMATION

322A434 -XX -XX /XX

BASE PART NUMBER _____

MATERIAL DASH NUMBER _____
(SEE COMPATIBILITY CHART)

MODIFICATION NUMBER _____

ADHESIVE SLASH NUMBER _____
(IF NECESSARY, SEE COMPATIBILITY CHART)

B

B

A

A

If this document is printed it becomes uncontrolled. Check for the latest revision

CUSTOMER DRAWING

SIZE	DWG. NO.	REV	DWG. NO.	322A434
B	06090	A		
DO NOT SCALE THIS DRAWING				SHEET 2 OF 2

4

3

2

1

D

D