

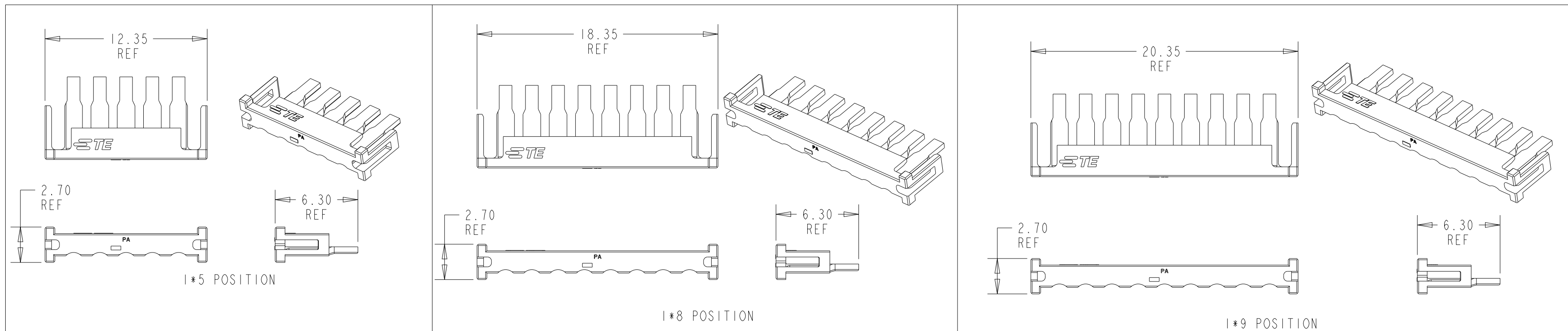
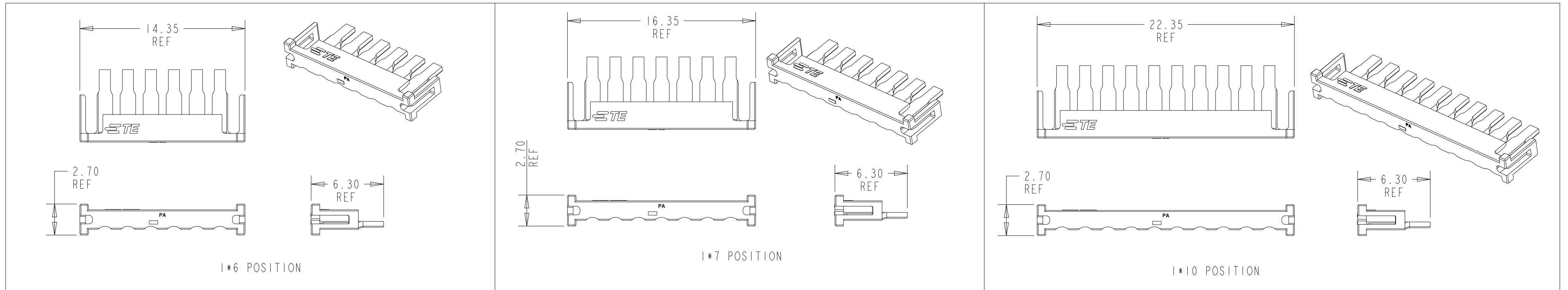
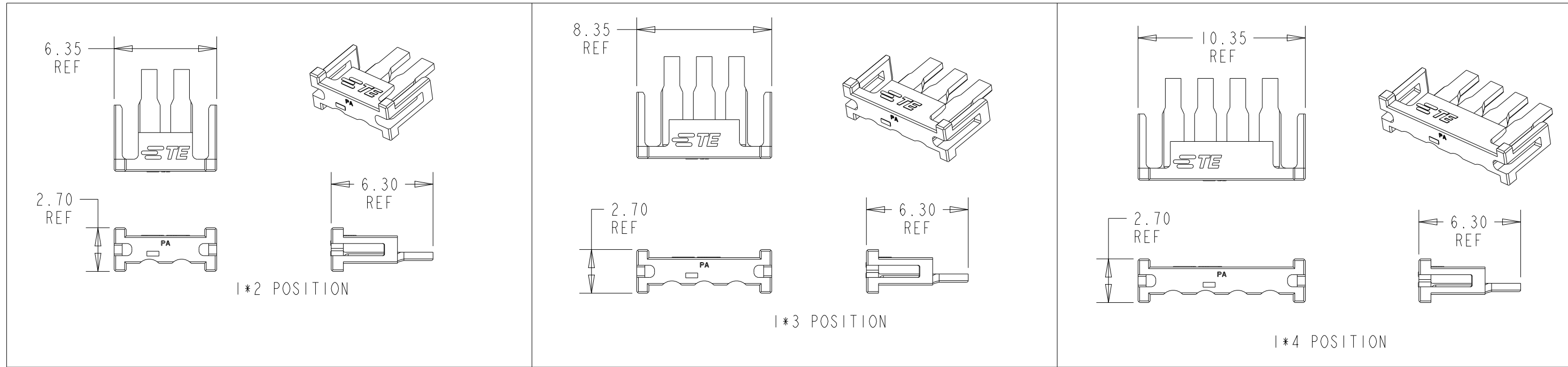
REVISIONS

P	LTR	DESCRIPTION	DATE	DWN	APVD
A		RELEASED PER ECO-20-008335	15JUN2020	BKW	SW
B		RELEASED PER ECN-22-190035	14DEC2022	CX	DZ
C		REVISED PER ECR-23-169880	21MAR2023	MV	DZ

1. MATERIAL: PA  
COLOR - BLACK

2. MATING CONNECTOR P/N'S:  
PLUG HSG - \*-2232826-\*

3. COUNTERPART: 2350224

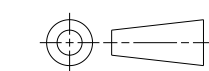


1*10	1-2357686-0
1*9	2357686-9
1*8	2357686-8
1*7	2357686-7
1*6	2357686-6
1*5	2357686-5
1*4	2357686-4
1*3	2357686-3
1*2	2357686-2
POSITIONS	PART NUMBER

THIS DRAWING IS A CONTROLLED DOCUMENT.

DIMENSIONS:

mm



MATERIAL



TOLERANCES UNLESS OTHERWISE SPECIFIED:

0 PLC	±
1 PLC	±
2 PLC	±0.2
3 PLC	±
4 PLC	±
ANGLES	±
FINISH	-

DWN 20 JUN 2019

B. WEAVER

CHK 20 JUN 2019

C. YI

APVD 20 JUN 2019

T. BENCHOFF

PRODUCT SPEC

108-143160

APPLICATION SPEC

114-143160

WEIGHT -

20 JUN 2019

NAME

TPA, SGI 2.0

SIZE

A2

CAGE CODE

00779

DRAWING NO

C-2357686

RESTRICTED TO

SCALE 4:1 SHEET OF REV C



TE Connectivity