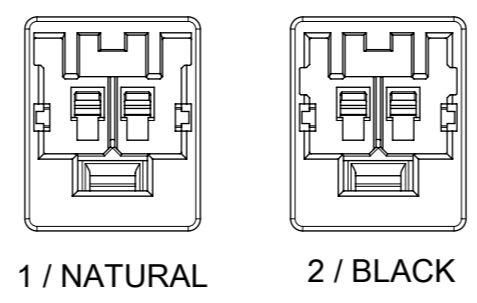
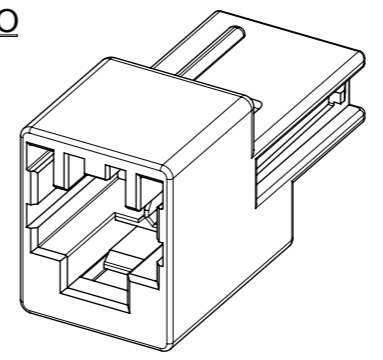


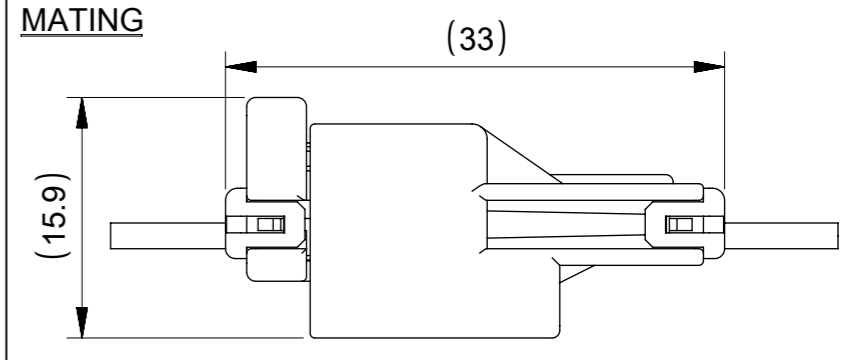
KEY / COLOR



ISO

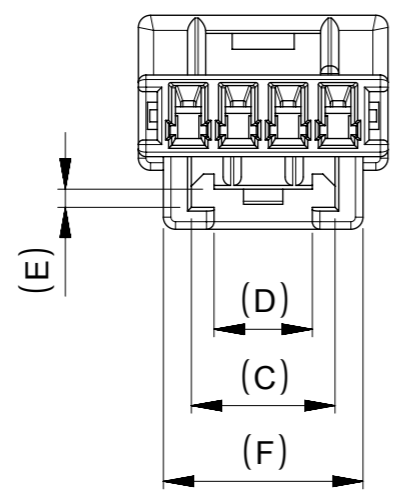
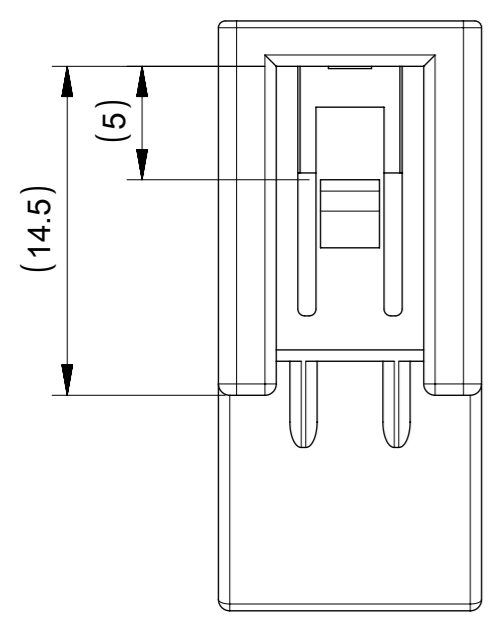
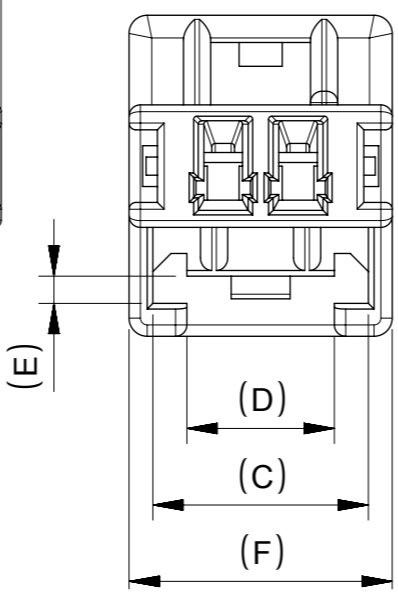
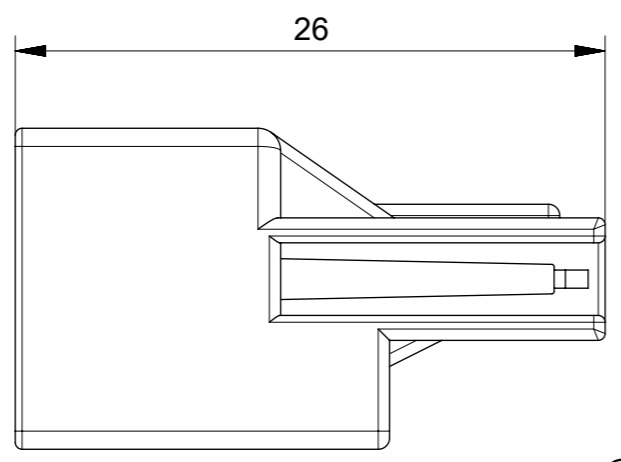
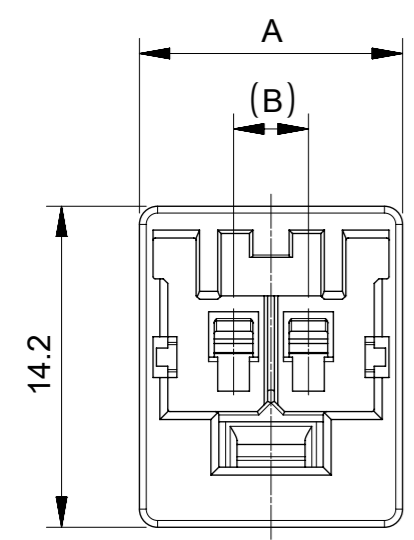
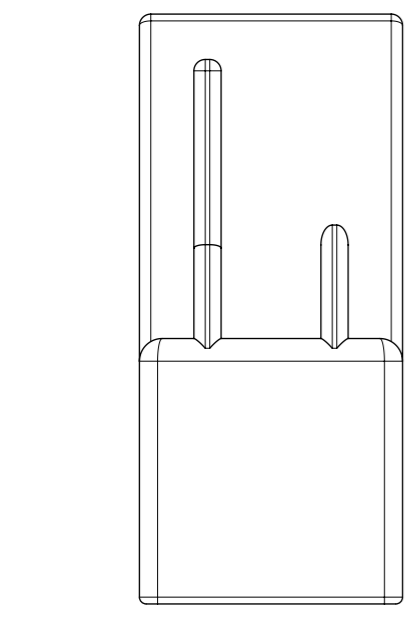


MATING



NOTES

- 適合ターミナル : 2011165000
APPLICABLE TERMINAL : 2011165000
- 適合リテーナー : 2011172**0
APPLICABLE RETAINER : 2011172**0
- 嵌合相手 : 2011152***
MATE WITH : 2011152***
- 材料 : PBT(UL94V-0)
MATERIAL : PBT(UL94V-0)
- 製品番号
ORDER NO.
2011162***
CKT. KEY
- 製品仕様書 : 2011150000-PS
PRODUCT SPECIFICATION : 2011150000-PS
- コネクタ取扱説明書 : 2011150000-AS
APPLICATION SPECIFICATION : 2011150000-AS



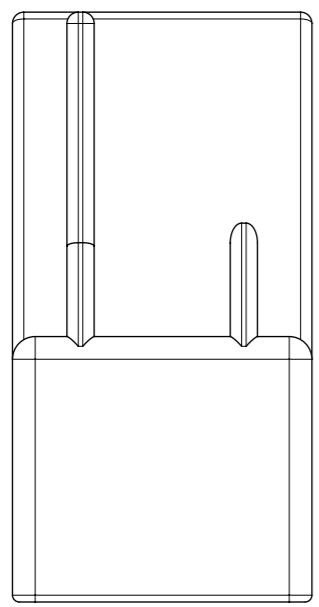
SLOT SHAPE OF 4CKT

13.2	1.2	6.5	9.5	9.9	16.5	2011152042	2011172040	BLACK	2	2011162042	4
						2011152041		NATURAL	1	2011162041	
11.6				6.6	13.2	2011152032	2011172030	BLACK	2	2011162032	3
						2011152031		NATURAL	1	2011162031	
				3.3	11.6	2011152022	2011172020	BLACK	2	2011162022	2
						2011152021		NATURAL	1	2011162021	
F	E	D	C	B	A	MATE WITH	RETAINER	COLOR	KEY	ORDER NO.	CKT.

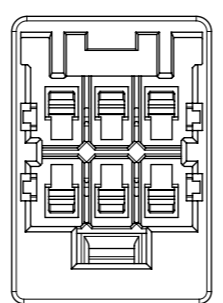
THIS DRAWING CONTAINS INFORMATION THAT IS PROPRIETARY TO MOLEX ELECTRONIC TECHNOLOGIES, LLC AND SHOULD NOT BE USED WITHOUT WRITTEN PERMISSION

EC NO: 611625 DRWN: KNAGUMO CHK'D: HIJIMA APPR: TOSADA	2018/11/15 2019/02/06 2019/02/07	GENERAL TOLERANCES (UNLESS SPECIFIED) ANGULAR TOL ± 3.0 ° 4 PLACES ± 0.03 3 PLACES ± 0.05 2 PLACES ± 0.1 1 PLACE ± 0.2 0 PLACES ± 0.2	DIMENSION UNITS: mm SCALE: NTS DRWN BY: JEBISAWA DATE: 2017/09/27 CHK'D BY: HIJIMA DATE: 2018/01/11 APPR BY: TOSADA DATE: 2018/01/12			
	DRAFT WHERE APPLICABLE MUST REMAIN WITHIN DIMENSIONS	DRAWING SIZE: A3 THIRD ANGLE PROJECTION	3.3 W/W CONN. PLUG HOUSING			
	PRODUCT CUSTOMER DRAWING		SERIES: 201116 MATERIAL NUMBER: SEE CHART CUSTOMER: GENERAL			
	DOCUMENT NUMBER: 2011162000-SD DOC TYPE: PSD DOC PART: 000 SHEET NUMBER: 1 OF 2					

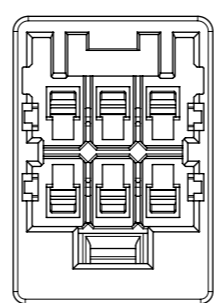
9 8 7 6 5 4 3 2 1



KEY / COLOR

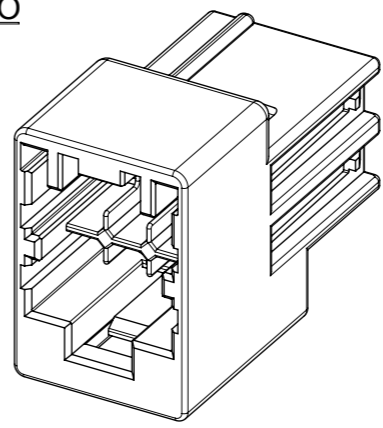


1 / NATURAL

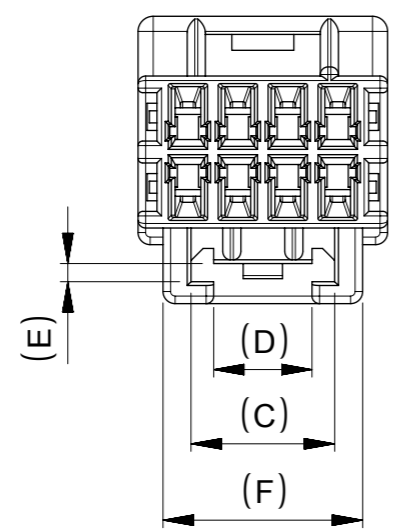
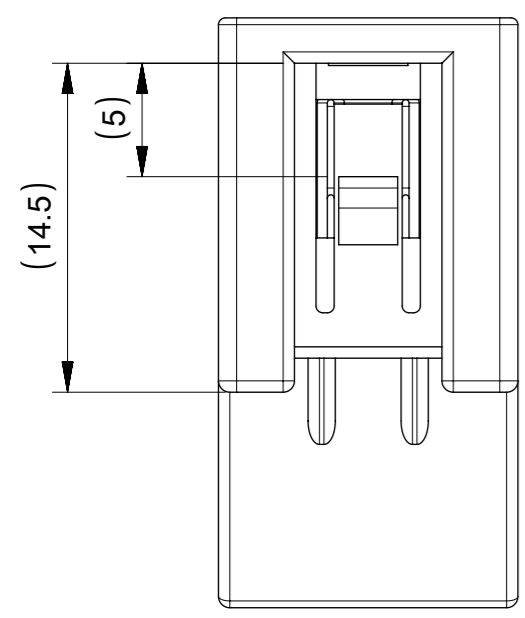
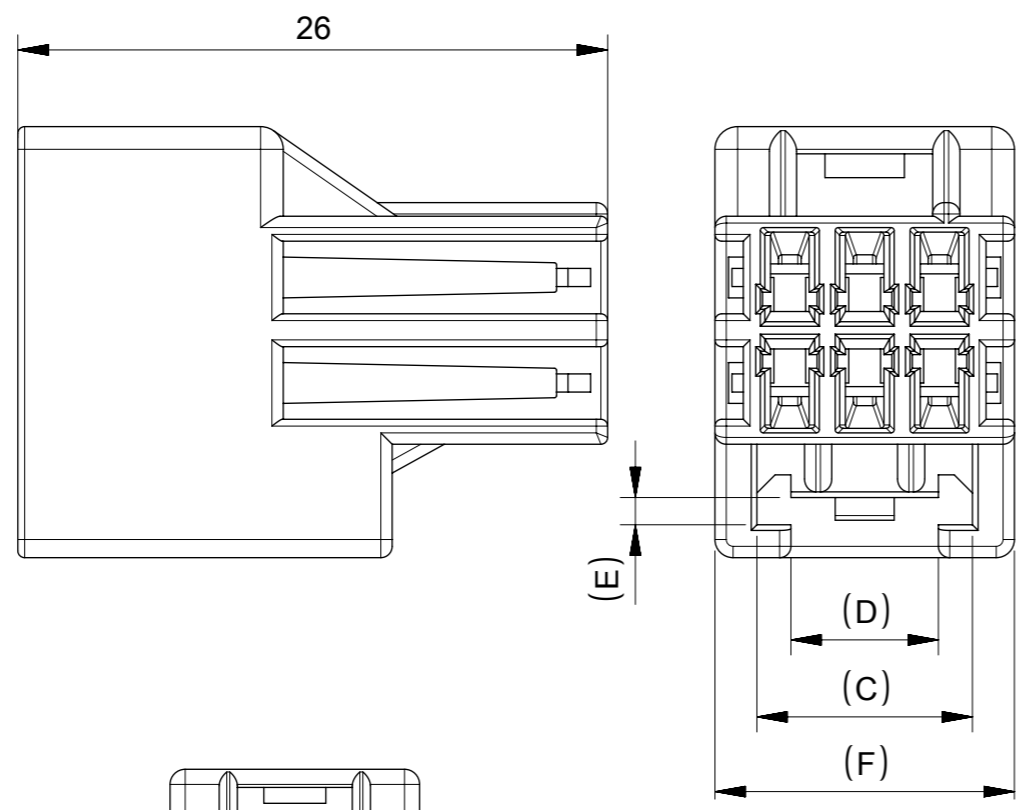
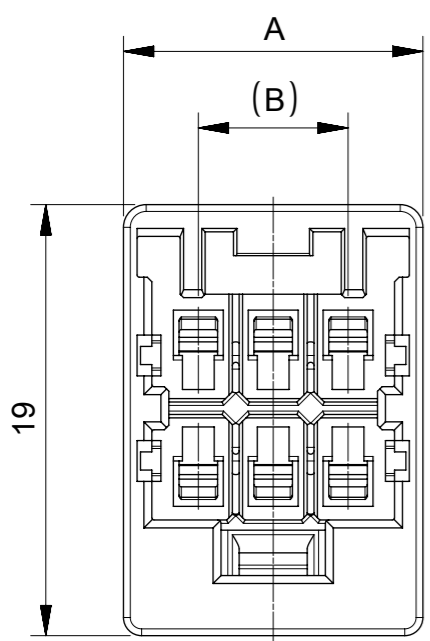
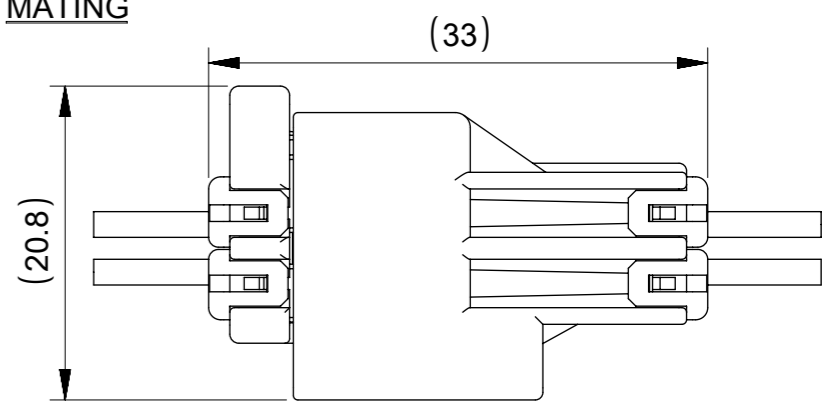


2 / BLACK

ISO



MATING



SLOT SHAPE OF 8-14CKT

14.2	1.3	7.1	12.1	19.8	26.4	2011152142	2011172070	BLACK	2	2011162142	14
				16.5	23.1	2011152141		NATURAL	1	2011162141	
13.2	1.2	6.5	9.5	13.2	19.8	2011152102	2011172050	BLACK	2	2011162102	10
				9.9	16.5	2011152101		NATURAL	1	2011162101	
				6.6	13.2	2011152082	2011172040	BLACK	2	2011162082	8
						2011152081		NATURAL	1	2011162081	
6.6	13.2	2011152062	2011172030	BLACK	2	2011162062	6				
		2011152061		NATURAL	1	2011162061					
F	E	D	C	B	A	MATE WITH	RETAINER	COLOR	KEY	ORDER NO.	CKT.

THIS DRAWING CONTAINS INFORMATION THAT IS PROPRIETARY TO MOLEX ELECTRONIC TECHNOLOGIES, LLC AND SHOULD NOT BE USED WITHOUT WRITTEN PERMISSION

EC NO: 611625 DRWN: KNAGUMO CHK'D: HIJIMA APPR: TOSADA	2018/11/15	2019/02/06	2019/02/07	GENERAL TOLERANCES (UNLESS SPECIFIED) ANGULAR TOL ± 3.0 ° 4 PLACES ± 0.03 3 PLACES ± 0.05 2 PLACES ± 0.1 1 PLACE ± 0.2 0 PLACES ± 0.2 DRAFT WHERE APPLICABLE MUST REMAIN WITHIN DIMENSIONS	DIMENSION UNITS	SCALE	
	RELEASED				mm	NTS	
					DRWN BY	DATE	JEBISAWA 2017/09/27
					CHK'D BY	DATE	HIJIMA 2018/01/11
					APPR BY	DATE	TOSADA 2018/01/12
			DRAWING SIZE	THIRD ANGLE PROJECTION	A3		

molex®

3.3 W/W CONN. PLUG HOUSING

PRODUCT CUSTOMER DRAWING

SERIES	MATERIAL NUMBER	CUSTOMER	
201116	SEE CHART	GENERAL	
DOCUMENT NUMBER	DOC TYPE	DOC PART	SHEET NUMBER
2011162000-SD	PSD	000	2 OF 2

9 8 7 6 5 4 3 2 1