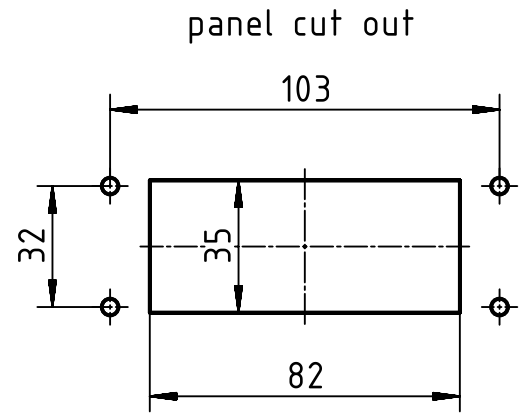
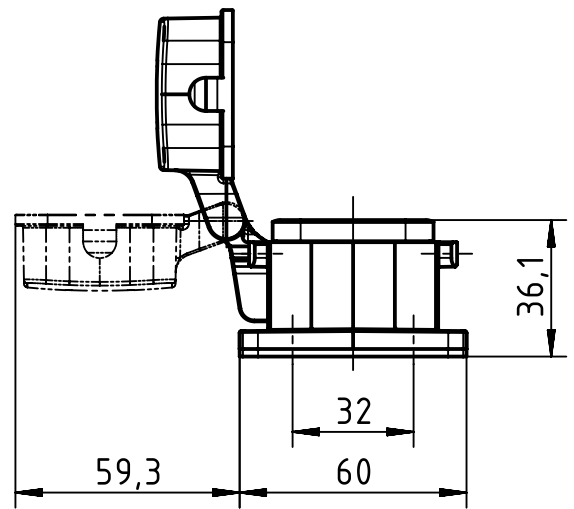
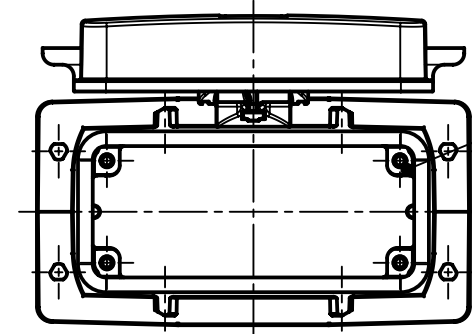


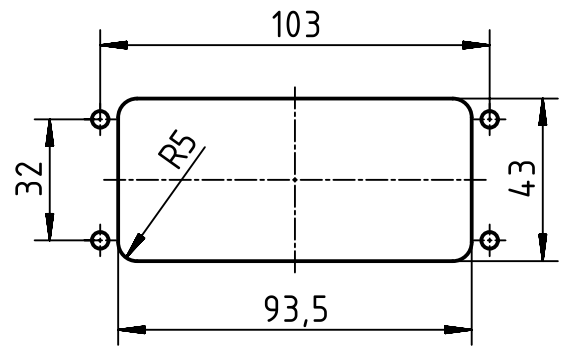
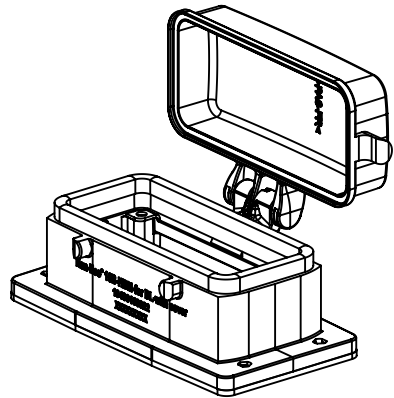
NBR seal  
NBR gasket  
separately  
enclosed



panel cut out  
for assembly from  
the inner side of cabinet



carrier frame  
separately  
enclosed



|  |   |  |                          |                            |  |
|--|---|--|--------------------------|----------------------------|--|
|  | All rights reserved<br>Department EL PD - DE<br>HARTING Electric GmbH & Co. KG<br>D-32339 Espelkamp | All Dimensions in mm<br>Original Size DIN A4 | Scale<br>1:2             | Free size tol.             | Ref.<br>Sub.   |
|  |   | Created by<br>ROEBEN                         | Inspected by<br>SCHENK   | Standardisation<br>RUETERA | Date<br>2018-04-09                                       |
| Title<br>Han-Eco 16B-HBM-for DL-with cover |   |  |                          |                            | Doc-Key / ECM-Nr.<br>100739882/UGD/001/B<br>500000133000 |
|  |   | Type<br>TB                                   | Number<br>19 43 016 0322 |                            | Rev.<br>B  |
|  |   |  |                          |                            | Page<br>1/1  |