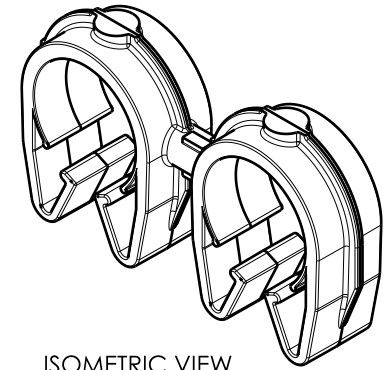
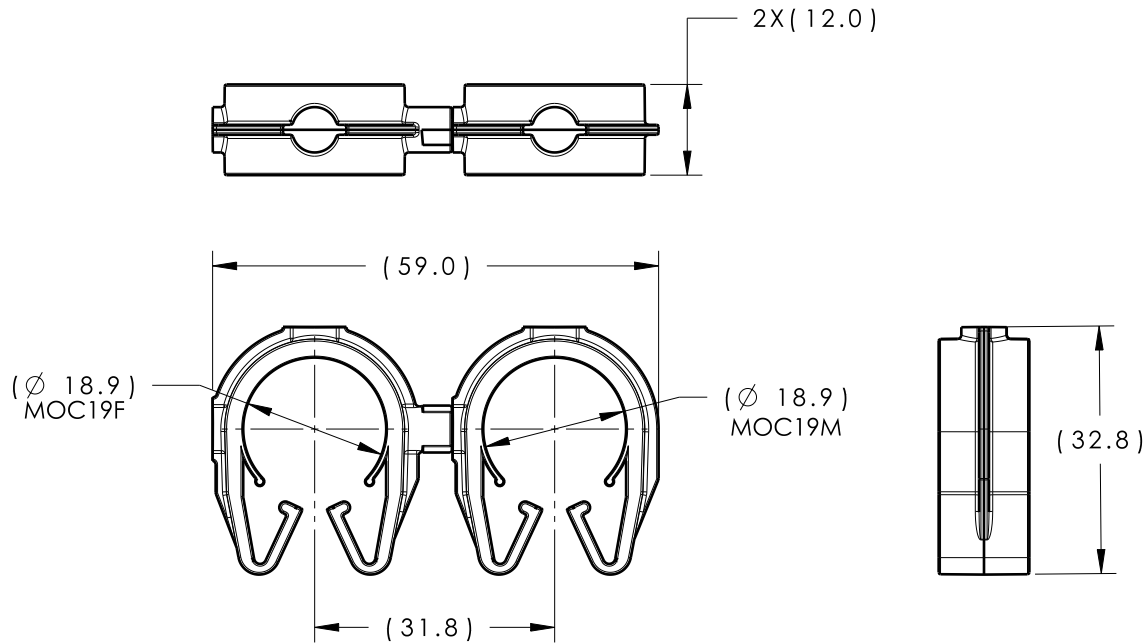
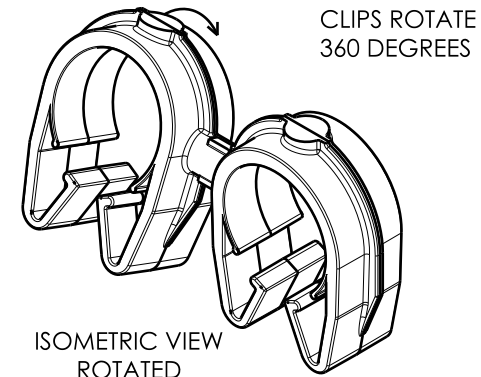


Revision Level			Revision Record	Changed	Date	Approved	Date
Drawing	State	Part					
01.2	Design Release		SEE ECN# 014389	TAT	3/22/17	EJH	3/22/17



ISOMETRIC VIEW




CLIPS ROTATE 360 DEGREES

ISOMETRIC VIEW ROTATED

TYPE	MOC19F	MOC19M
HARNESS	17.0MM-20.0MM	17.0MM-20.0MM
HOSE	17.0MM-20.0MM	17.0MM-20.0MM
HARD PIPE/TUBE	19.0MM-21.8MM	19.0MM-21.8MM

\*RECOMMENDED SIZES MAY DIFFER DEPENDING ON THE APPLICATION , PRODUCT REQUIREMENTS AND MATERIALS USED

\*PATENT PENDING 29/582,271

GLOBAL PART NAME 	MOC19F*			MOC19M*		
	DRAWING	MATERIAL	COLOR	DRAWING	MATERIAL	COLOR
MOC19FMOC19M-PA66HIRHS-BK	16-0322-000-CSU	PA66HIRHS	BLACK	16-0322-000-CSU	PA66HIRHS	BLACK

Material <b>SEE CHART</b> COLOR: SEE CHART	Units <b>millimeters</b>	The copyright of this drawing is reserved by HellermannTyton. It is issued on condition that it is not reproduced, copied or disclosed to a third party, either wholly or in part, without the consent of HellermannTyton.	Drawn	TAT	2/22/17	Article/Type-No	MOC19FMOC19M	Scale	1:1
	Tolerance defined on each dimension		Approved	EJH	2/28/17	Title	 19MM MOC COUPLED TO A 19MM MOC	Project Number	16-0326
			<b>HellermannTyton</b>			Drawing-No	16-0326-661-CSU 	PRODUCTION : Phase	Format
			North America Email: corp@htamericas.com Web: www.hellermann.tyton.com					Sheet	1/1