



PenguinTM



Yoke Mount
SKU: 152835



Slipfitter
SKU: 152836

Beyond LED Technology's Penguin Series Flood/Area Light is a Hybrid light offering 150 lumens per watt for maximum power savings and rebates from power companies. It provides an ultra-thin sleek design as it offers a tempered glass lens cover for better illumination & high efficiency, Standard U-Bracket Mount, adjustable angle, Optional Yoke mount and Slip fitter, Corrosion resistant cold forged aluminium construction and remains available in Bronze Housing.

Product Features

- Penguin is Ideal to replace Halogen Lamps
- Environmentally friendly: No Mercury used
- Operating Temperature: -20°C to 50°C
- Integral LED driver (non-isolated), eliminates the need for an external driver or ballast
- Up to 150 Lumens Per Watt
- Improved Lamp durability with shatterproof coated glass
- Complies with UL Safety regulations (E486230) and DLC5.1, SAA Certification
- High Quality and Efficacy SMD2835 Chips
- This product is IP66 Rated, it remains suitable for wet location and can be adjusted to 105 degree Beam Angle
- Universal Operation at 120-277Vac 50-60Hz

Penguin™

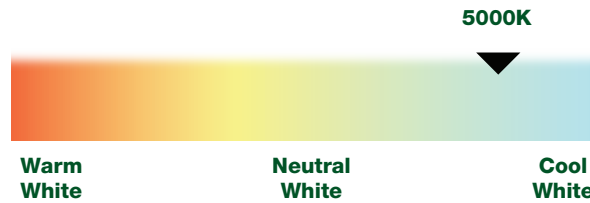


SKU #	Model #	Watts	Lumens	CCT	IP	Type	Housing	Input Voltage	Certifications
152833	BLT-FLE150W-50KSVX-M	150W	22500Lm	5000K	IP66	Flood Light	Bronze	100-277Vac	UL & DLC
152834	BLT-FLE240W-50KSVX-M	240W	36000Lm	5000K	IP66	Flood Light	Bronze	100-277Vac	UL & DLC

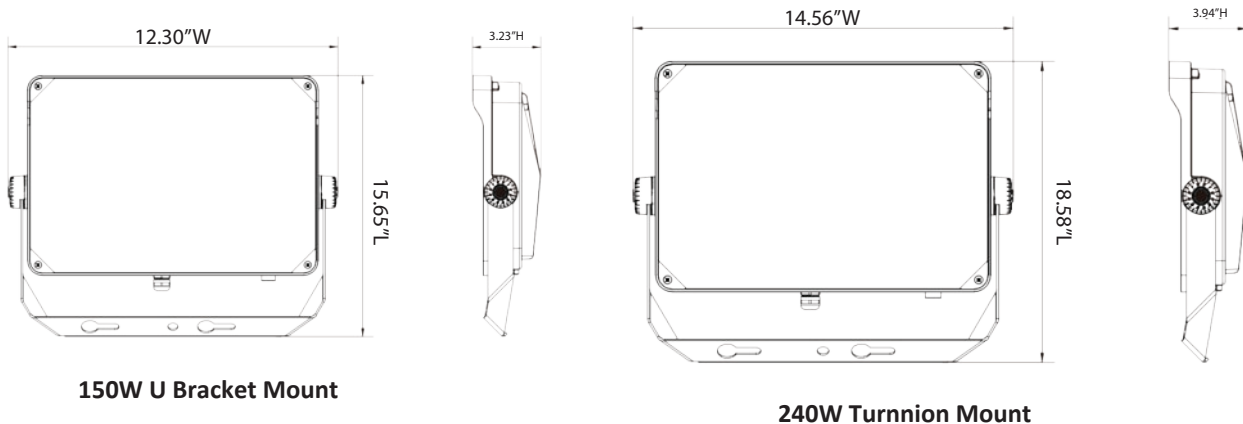
Specifications

General Performance	CRI	>70
	Frequency	50/60Hz
	PF.	>0.92
	IP Rating	IP66
	CCT	5000K
	Efficacy	Up to 150lm/W
	Beam Angle	105°
	Lumen Maintenance (L90, TM21 @ 25°C)	> 100,000 hours
	THD	< 16%
Electrical	Input Voltage Range	Universal 120-277Vac
	Housing	Bronze
Physical	Operating Temperature	-20°C to 50°C
Qualifications	Material Usage	RoHS Compliant; No Mercury
	Environment	Outdoor, Wet Location, IP66 Rating
	Warranty	5 Years Standard Warranty

Correlated Color Temperature (CCT)

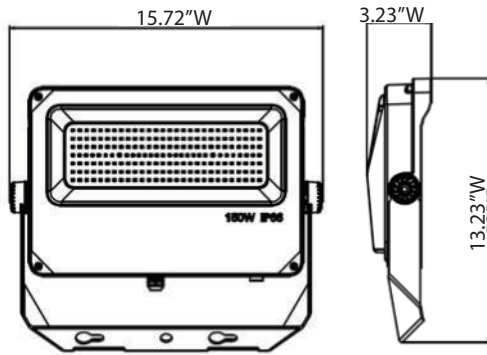


Dimensions

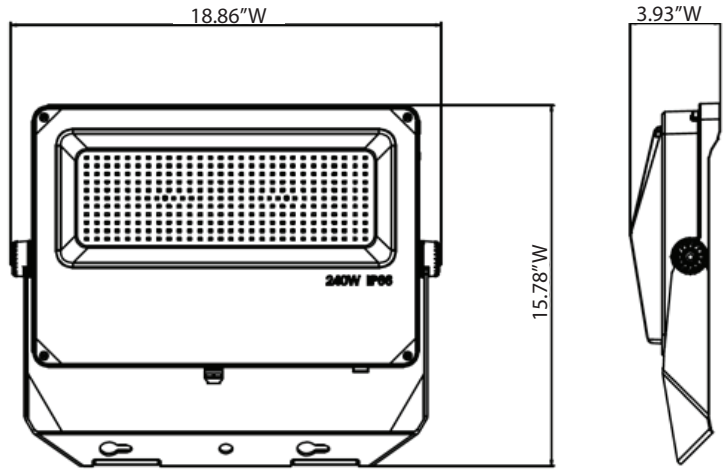




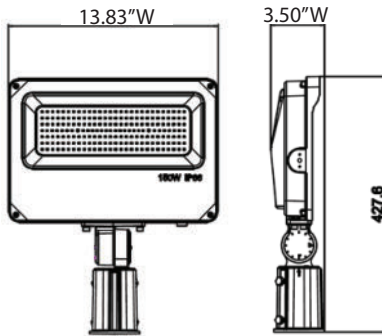
PenguinTM



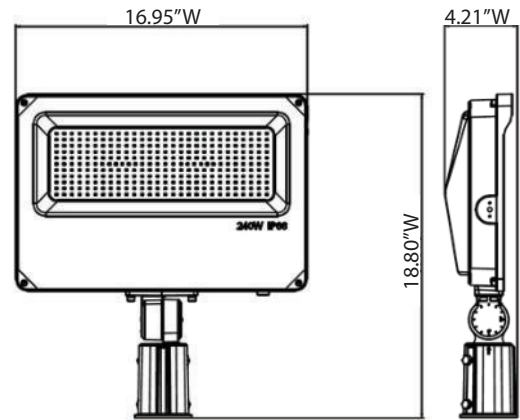
150W U Bracket Mount



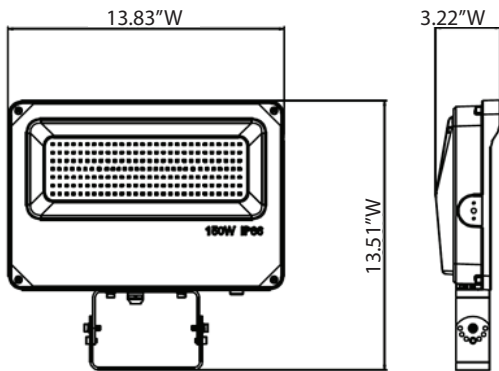
240W U Bracket Mount



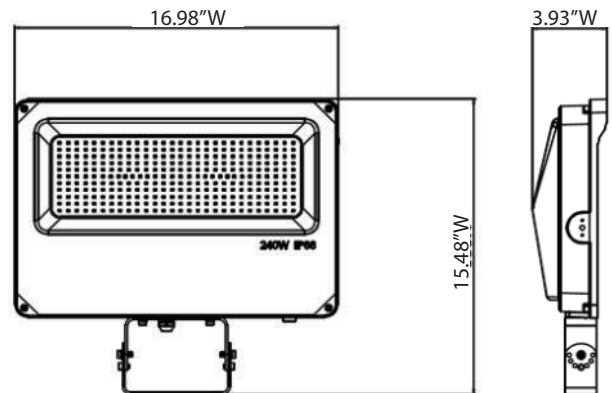
150W Slipfitter Mount



240W Slipfitter Mount



150W Yoke Mount

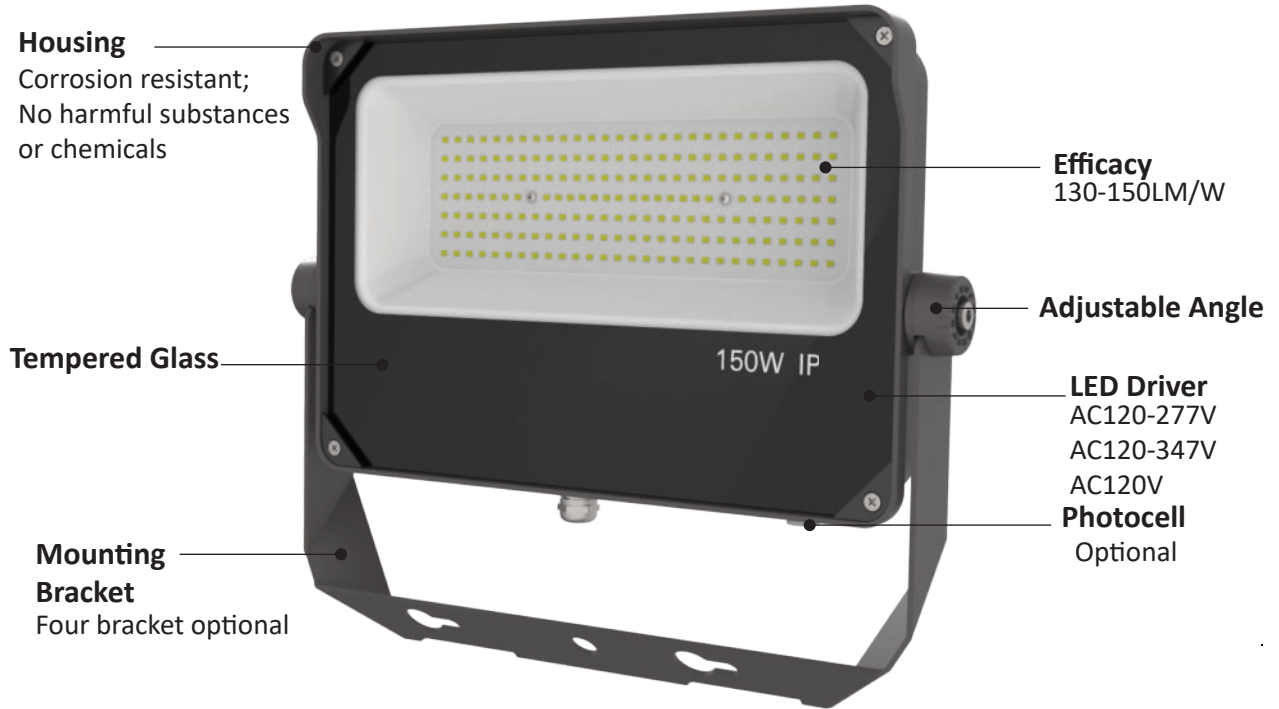


240W Yoke Mount

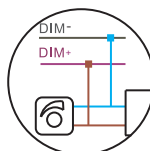
Penguin™



Wiring and Features



120-347Vac 50/60Hz

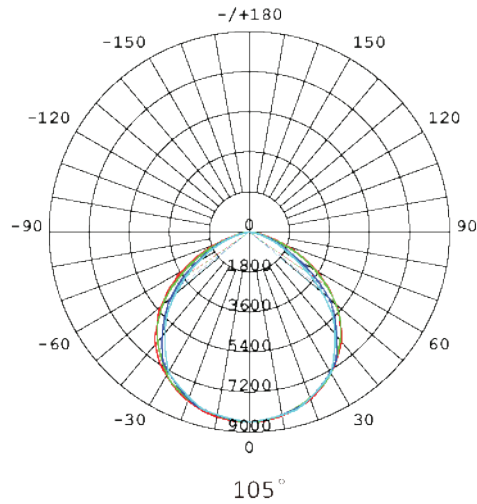


Dimmer connect the wires:
DMI+match DMI+;
DMI-match DMI-



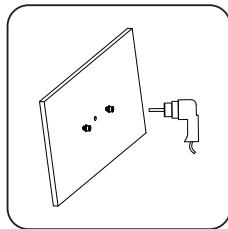
PenguinTM

Photometric

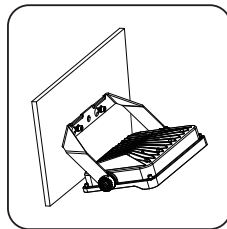


Installation Instructions

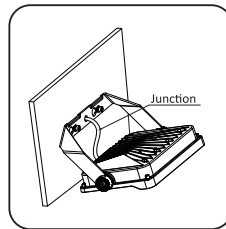
• U Bracket Mount



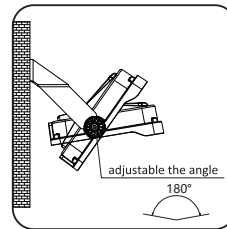
1. Drilling, and install expansion screw until the middle side



2. Tighten the Nuts

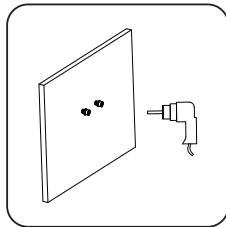


3. Connect the electrical wiring according to the instruction, Caution: rurn off the electricity before installation

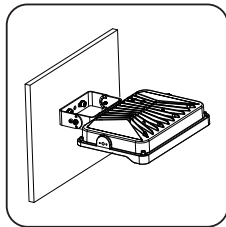


4. Use this screw to adjust the bracket angle, Rotate 180degree

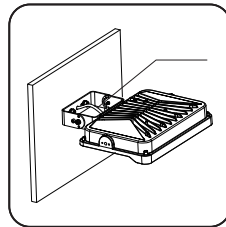
• Yoke Mount



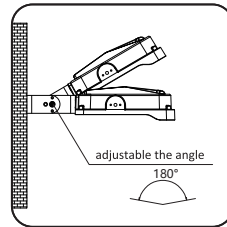
1. Drilling, and install expansion screw until the middle side



2. Tighten the Nuts

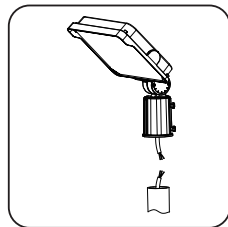


3. Connect the electrical wiring according to the instruction, Caution: rurn off the electricity before installation

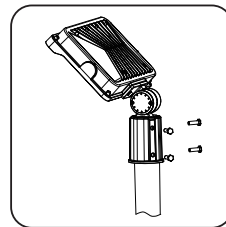


4. Use this screw to adjust the bracket angle, Rotate 180degree

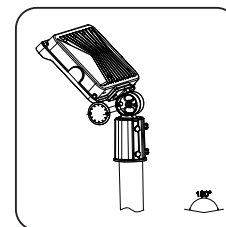
• Slipfitter Mount



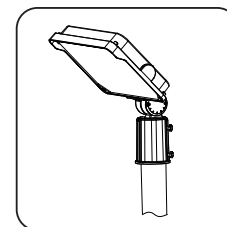
1. Connect wires and take safety measures



2. Install the lamp into the pole, Tighten the screws



3. Open the lid, Adjust The Angle



4. Install the cover



Notes Before Installation

1. Be careful to open the carton, contact us if any damage.
2. This product must be installed in accordance with the applicable installation, code by a person familiar with the construction and operation of the product and the hazards involved.
3. "Caution - Risk of Shock" and "Disconnect Power Before Servicing" when Photoelectric switch provided.
4. Please check whether the voltage marked on the Luminaire is consistent with the input voltage to be connected, so as not to damage the LED Luminaire.
5. To ensure the Lifetime of the product, Please do not use it in a place with strong acid mist.
6. Make sure the Installation position can withstand 10 times the weight of the Luminaire before installation and install it at a flat place without Vibration, No Swing, No Fire Hazard.

Trouble Shooting

PROBLEM	POSSIBLE CAUSE	SOLUTION
Light will not come on	A.Light switch is turned off. B.Fuse is blown or circuit breaker is turned off. C.Incorrect circuit wiring.	A.Turn light switch on. B.Replace fuse or turn circuit breaker on. C.Verify that fixture is wired properly.

SKU #	Model #	Carton Dimension	Qty / Carton	N.W	G.W
152833	BLT-FLE150W-50KSVX-M	L475 x W340 x H125	1PCS	3.58 KG	4.25 KG
152834	BLT-FLE150W-50KSVX-M	L555 x W385 x H140	1PCS	5.35 KG	6.10KG

1. Please do not shake it too much during transportation, handle carefully when unloading.
2. Recommended to be stored in a warehouse of -10~ +60°C and keep the warehouse dry.

Application:

- Widely used in Shopping Malls • Exhibitions • Centres • Parks • Car-parking places • Stadiums
- Gymnasiums • Billboards • Sculptures • Landscaping works • Buildings • Stairways
- Facades and Public Corridors and other indoor and outdoor lighting



Penguin™



Safety Precautions

To reduce the Risk of Death, Personal injury or Property damage from Fire, Electric Shock, Falling Parts, Cuts/abrasions, and other hazards read all warnings and instructions included with and on the fixture box and all fixture labels.

Before Installing, Servicing, or Performing routine maintenance upon this equipment, Follow these general precautions.

Commercial Installation, Service and Maintenance of Luminaires should be performed by a qualified licensed electrician.

For the Installation: If you are unsure about the Installation or Maintenance of the Luminaires, Consult a qualified licensed electrician and check your local Electrical Code.

To prevent wiring damage or abrasion, do not expose wiring to edges of sheet metal or other sharp objects. Do not make or alter any open holes in an enclosure of wiring or electrical components during kit Installation.

WARNING: RISK OF FIRE OR ELECTRICAL SHOCK

Turn off Electrical Power at fuse or circuit breaker box before wiring fixture to the power supply.

Turn off the power when you perform any maintenance.

Verify that supply voltage is correct by comparing it with the Luminaire Label Information.

Make all Electrical and Grounded Connections in accordance with the National Electrical Code and any applicable local code requirements. All wiring connections should be capped with UL approved wire connectors.

CAUTION: RISK OF INJURY

Avoid direct eye exposure to the light source while it is on.

Account for small parts and destroy packing material, as these may be hazardous to children.

Warranty

5 Years Warranty