

# Network cable - NBC-FSBPX/0,5-94F/R4AC-10G - 1417828


Please be informed that the data shown in this PDF Document is generated from our Online Catalog. Please find the complete data in the user's documentation. Our General Terms of Use for Downloads are valid (<http://phoenixcontact.com/download>)



Network cable, degree of protection: IP67/IP20, number of positions: 8, 10 Gbps, CAT6<sub>A</sub>, cable outlet: straight



## Key Commercial Data

Packing unit	1 pc
Minimum order quantity	10 pc
GTIN	 4 055626 126470
GTIN	4055626126470

## Technical data

### Ambient conditions

Ambient temperature (operation)	-25 °C ... 60 °C (Plug / socket)
---------------------------------	----------------------------------

### General data

Rated current at 40°C	0.5 A
Rated voltage	48 V
Number of positions	8
Alternative short product description	Ethernet cable
Rated voltage (III/3)	72 V (DC)
Contact material	CuZn
Contact carrier material	PPA
Contact surface material	gold-plated

## Environmental Product Compliance

	Lead 7439-92-1
China RoHS	Environmentally Friendly Use Period = 50

# Network cable - NBC-FSBPX/0,5-94F/R4AC-10G - 1417828

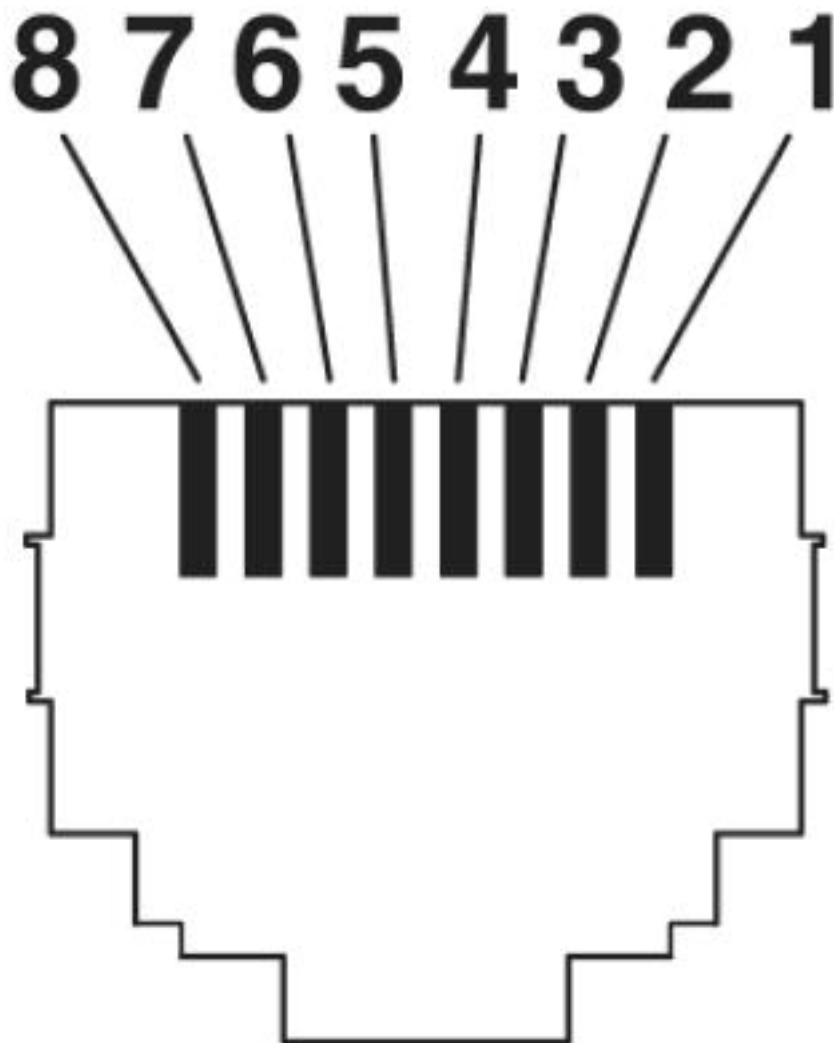
## Technical data

### Environmental Product Compliance

	For details about hazardous substances go to tab "Downloads", Category "Manufacturer's declaration"
--	---

## Drawings

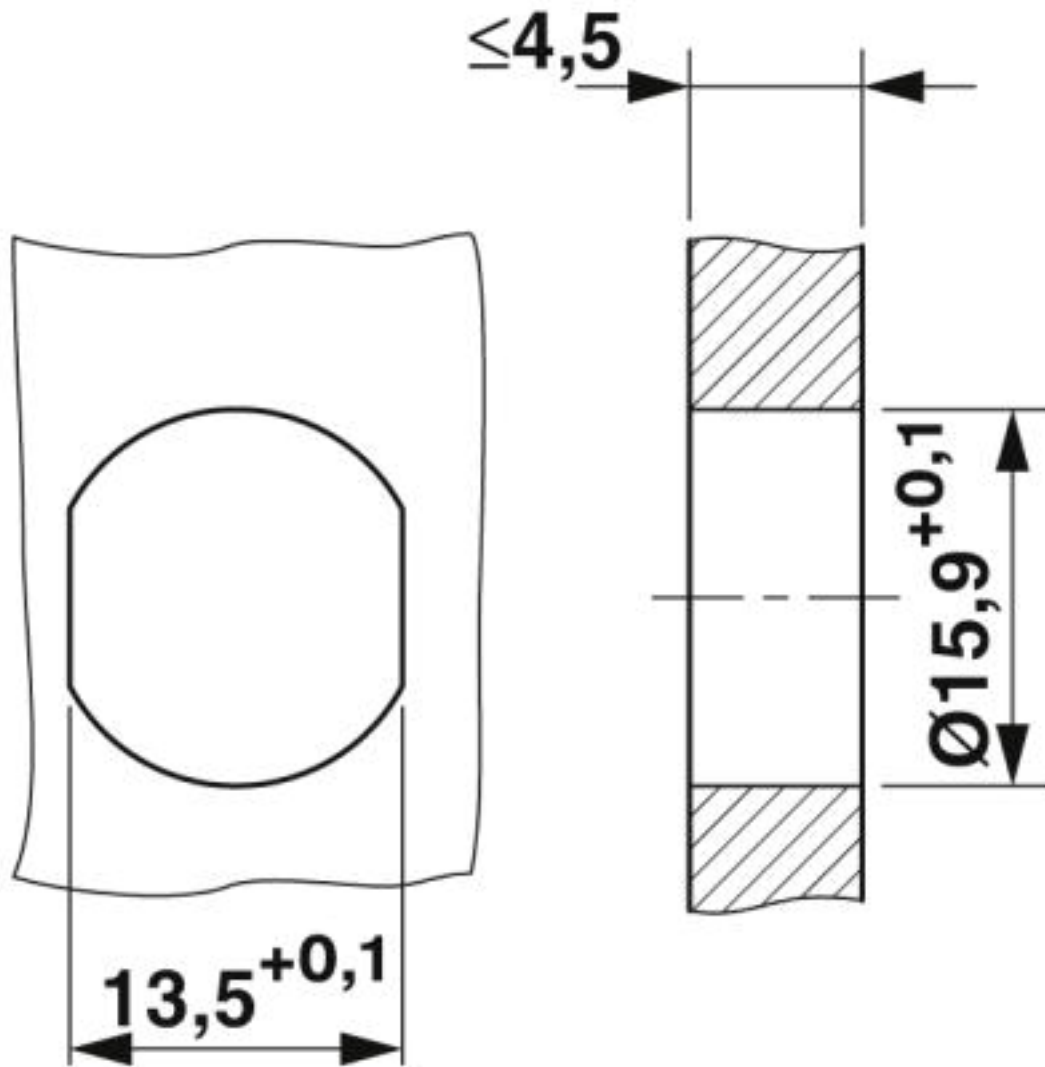
Schematic diagram



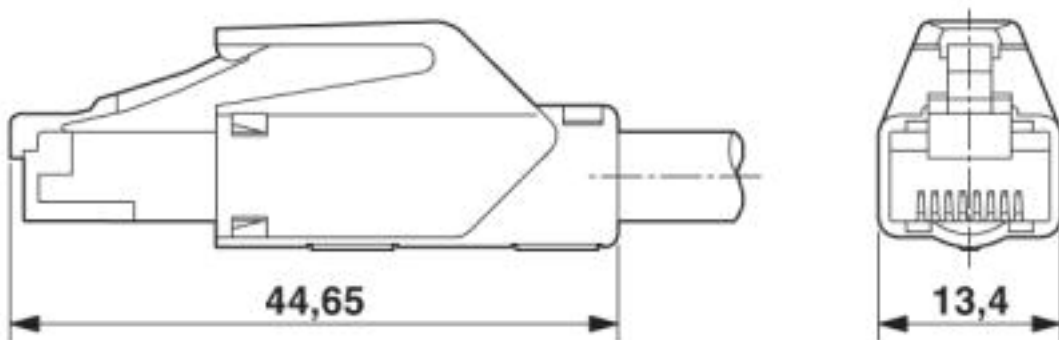
Connector pin assignment plug RJ45

# Network cable - NBC-FSBPX/0,5-94F/R4AC-10G - 1417828

Dimensional drawing



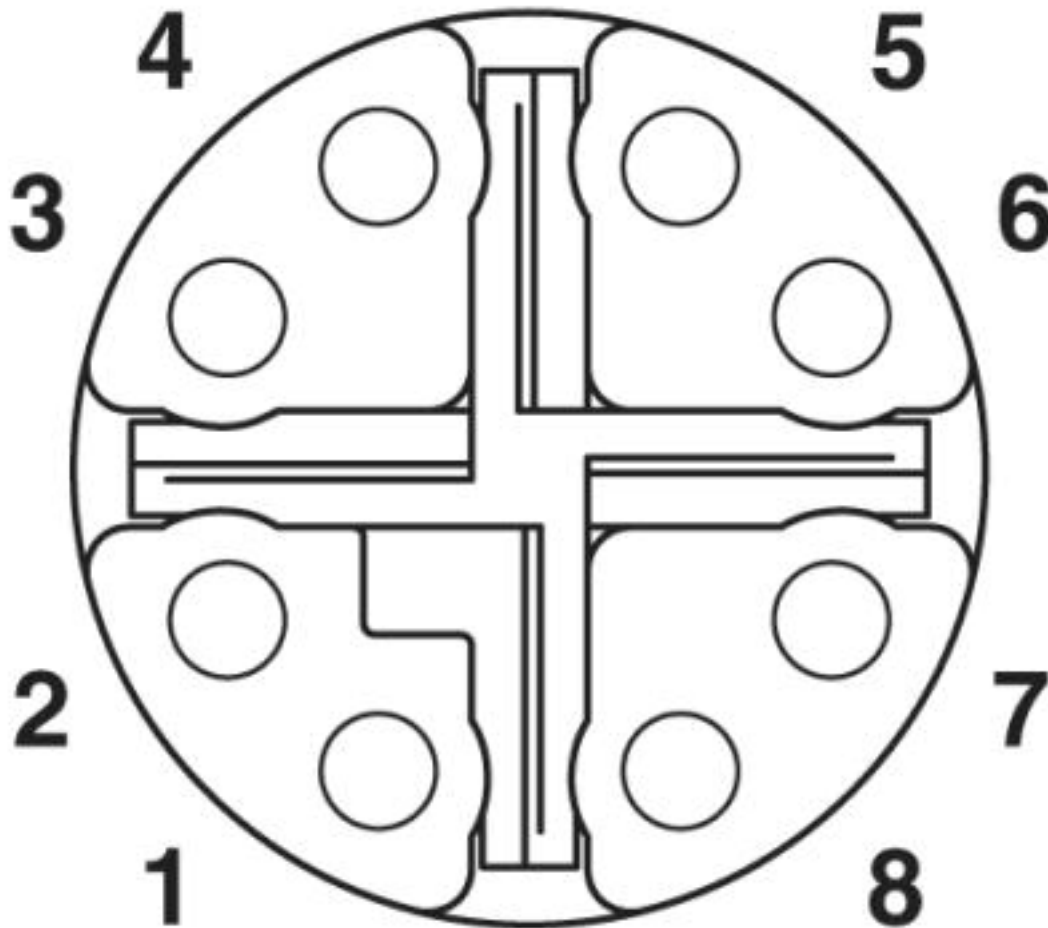
Dimensional drawing



RJ45 connector, IP20

# Network cable - NBC-FSBPX/0,5-94F/R4AC-10G - 1417828

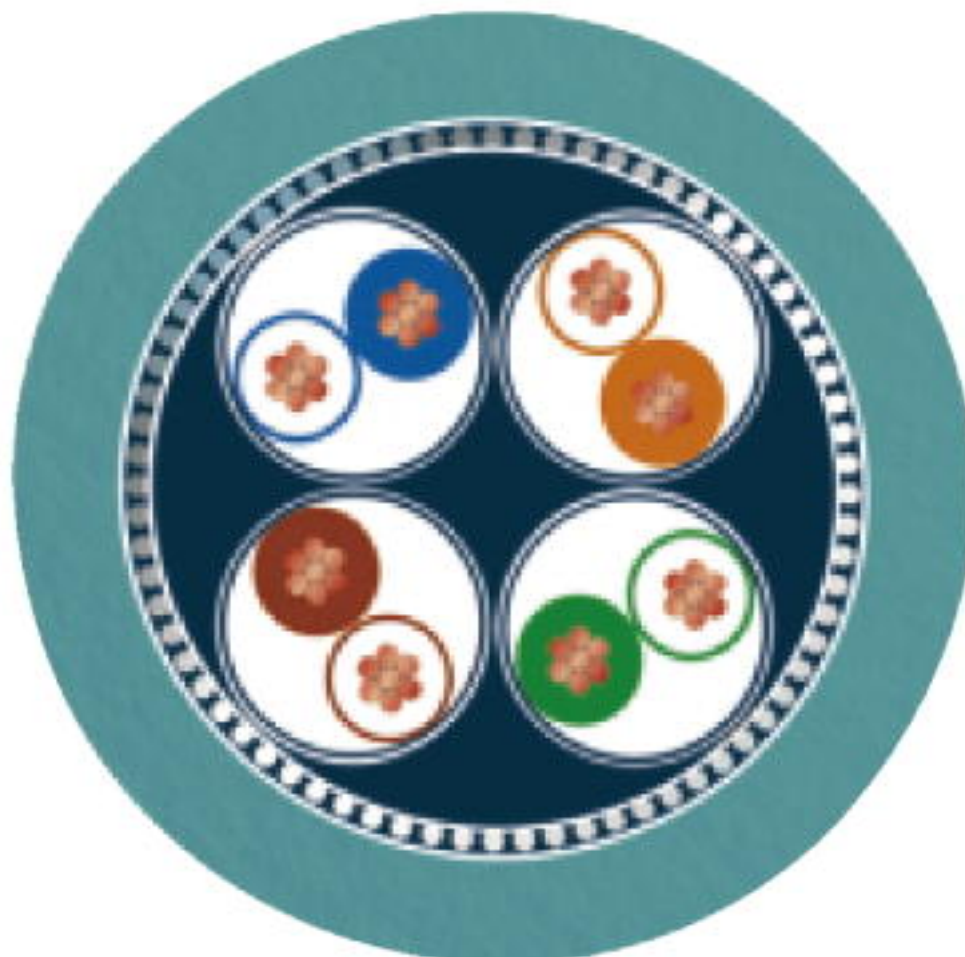
Schematic diagram



M12 socket pin assignment, 8-pos, view of socket side

# Network cable - NBC-FSBPX/0,5-94F/R4AC-10G - 1417828

Cable cross section



Ethernet 10 Gbit [94F]

## Approvals

Approvals

---

Approvals

EAC

---

Ex Approvals

---

Approval details

## Network cable - NBC-FSBPX/0,5-94F/R4AC-10G - 1417828

### Approvals

EAC



B.00767

Phoenix Contact 2019 © - all rights reserved  
<http://www.phoenixcontact.com>

PHOENIX CONTACT GmbH & Co. KG  
Flachsmarktstr. 8  
32825 Blomberg  
Germany  
Tel. +49 5235 300  
Fax +49 5235 3 41200  
<http://www.phoenixcontact.com>