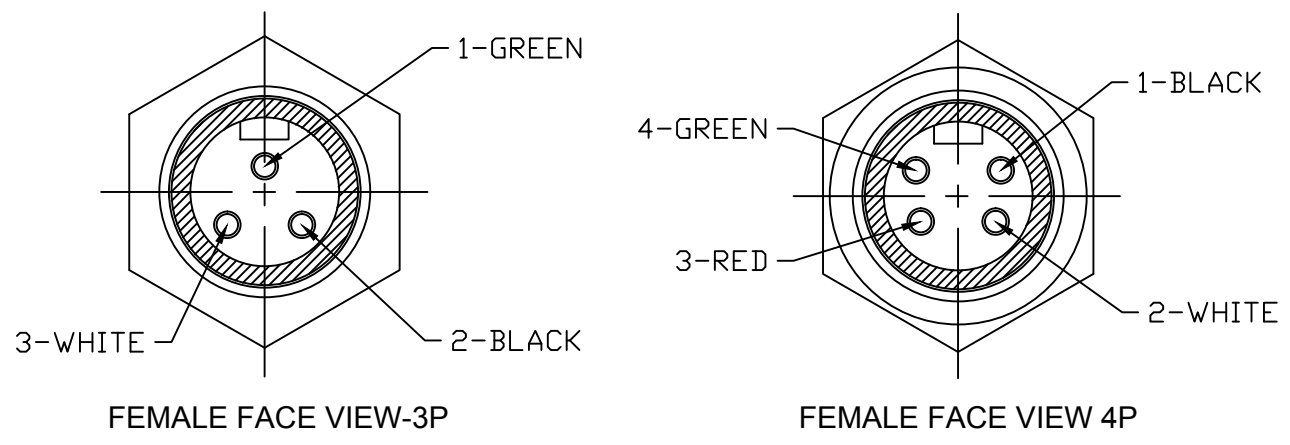


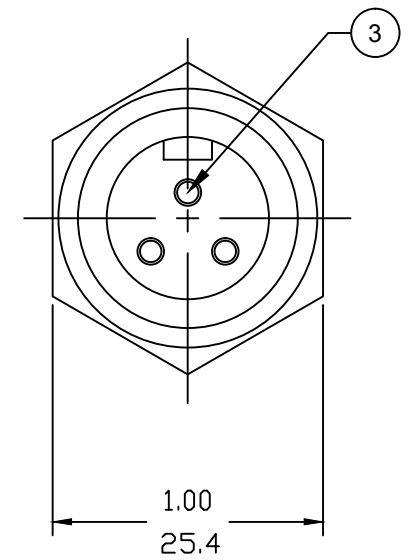
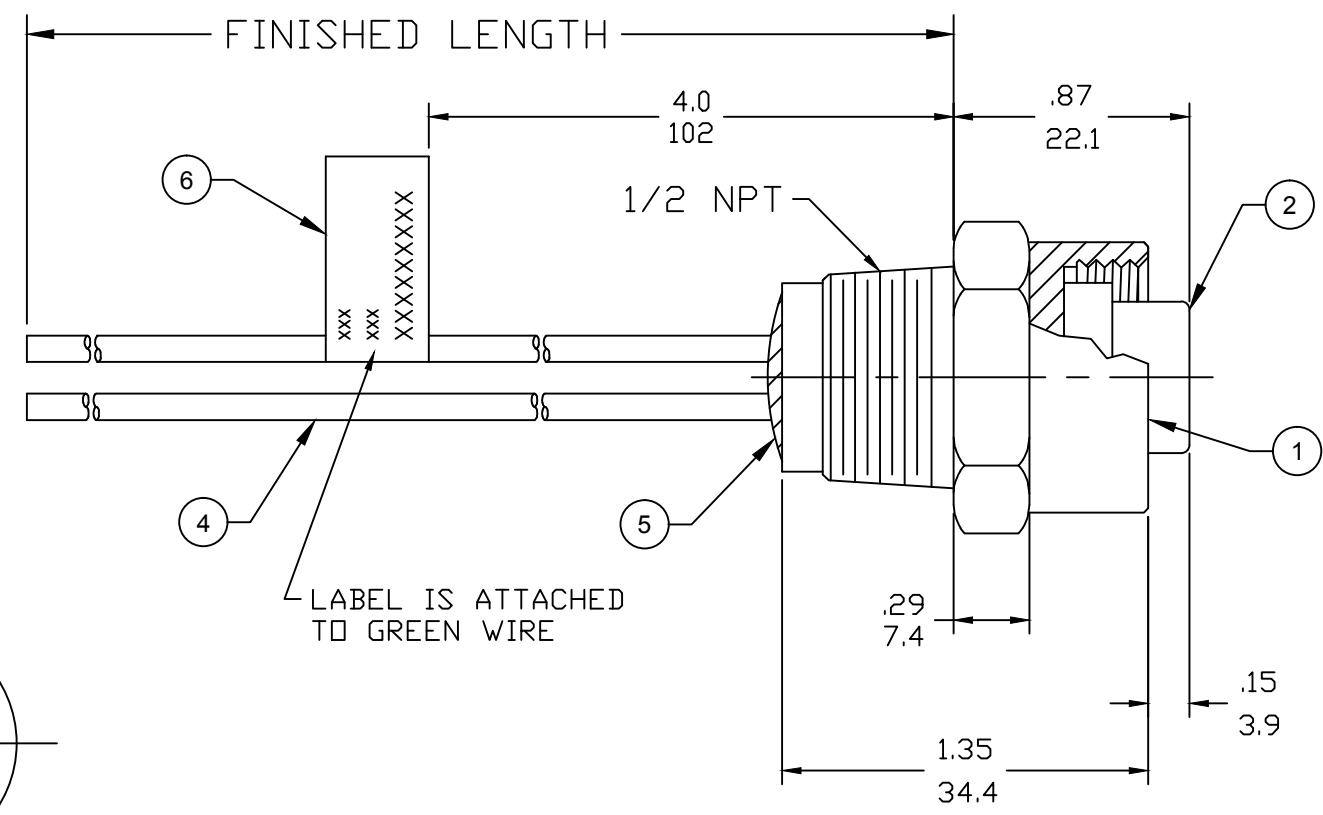
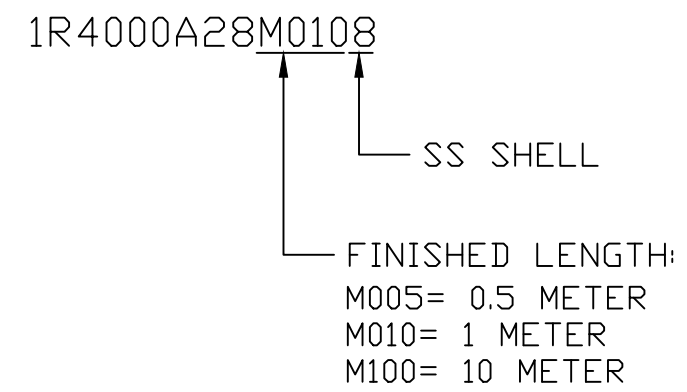
PART NUMBER	ENGINEERING NUMBER	FINISH LENGTH
1300660251	1R4000A28M003G8	0.98' [0.3M]
1300660316	1R3000A28M0058G	1.64' [0.5M]
1300130298	1R4000A28M0108	3.28' [1M]



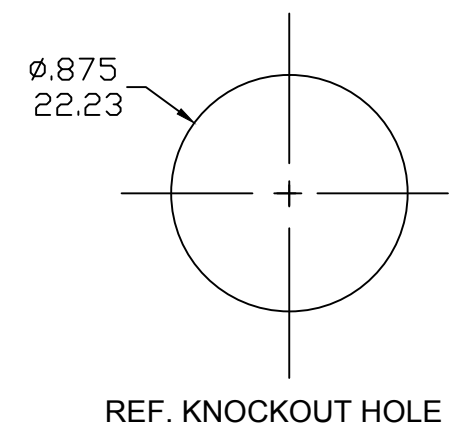
CABLE LENGTH TOLERANCES

>.3M [1FT]:	+19mm-0 [+ .75in-0]
.3 - .9M [1 - 3FT]:	+44.5mm-0 [+1.75in-0]
.9 - 1.8M [3 - 6FT]:	+55.6mm-0 [+2.19in-0]
1.8 - 3.7M [6 - 12FT]:	+88.9mm-0 [+3.50in-0]
3.7 - 7.3M [12 - 24FT]:	+165.1mm-0 [+6.50in-0]
7.3-14.6M [24 - 48FT]:	+317.5mm-0 [+12.50in-0]
14.6 - 30.5M [48-100FT]:	+622.3mm-0 [+24.50in-0]
OVER 30M [100FT]	+2% OF FINISHED LENGTH

PART NUMBER LEGEND



- NOTES:**
- MATERIAL: AS NOTED
 - FINISH: AS NOTED
 - ELECTRICAL:
VOLTAGE: 3P: 500V PER IEC60664
600V PER UL2237
4P: 483V PER IEC60664
600V PER UL2237
CURRENT: 15A
 - TEMP RATING: -20°TO +90°C
 - PROTECTION: IP67 (WHEN MATED)
 - COUPLING THREAD: 7/8-16UN
 - UL LISTED FILE: E258922
 - ALL DIMS ARE FOR REFERENCE UNLESS NOTED OTHERWISE



ITEM	DESCRIPTION	MATERIAL	FINISH
6	FLAG LABEL	VINYL	BLACK/YELLOW
5	POTTING MATERIAL	EPOXY	
4	WIRE, 14 AWG, UL 1015 (B)	PVC INSULATION	SEE FACE VIEW
3	CONTACT SOCKET	COPPER ALLOY	GOLD PLATED
2	FEMALE INSERT (A-SIZE)	PVC	YELLOW
1	RECEPTACLE SHELL	ST. STEEL	PASSIVATED

UL 1015 WAS THHN EC NO: IPG2019-0320 DRWN: JCAPPOZZ 2019/01/11 CHKD: -- APPR: BWOODMAN2017/10/04	QUALITY SYMBOLS ▽=0 ∇=0	GENERAL TOLERANCES (UNLESS SPECIFIED)		DIMENSION STYLE INCH/MM		SCALE ---	DESIGN UNITS INCH	THIRD ANGLE PROJECTION
		4 PLACES ±--- ±---	3 PLACES ±--- ±---	DRAWN BY RSTONE	DATE 2017/09/12	TITLE MINI-CHANGE RECEPTACLE FEMALE, 14 AWG ST. STEEL		
		2 PLACES ±--- ±---	1 PLACE ±--- ±---	CHECKED BY M ZIELIN	DATE ---	MOLEX INCORPORATED		
		ANGULAR ±---°		APPROVED BY BWOODMAN		DATE 2017/10/04	DOCUMENT NO. SD-130013-122	SHEET NO. 1 OF 1
DRAFT WHERE APPLICABLE MUST REMAIN WITHIN DIMENSIONS		MATERIAL NO. SEE P/N CHART		THIS DRAWING CONTAINS INFORMATION THAT IS PROPRIETARY TO MOLEX INCORPORATED AND SHOULD NOT BE USED WITHOUT WRITTEN PERMISSION				