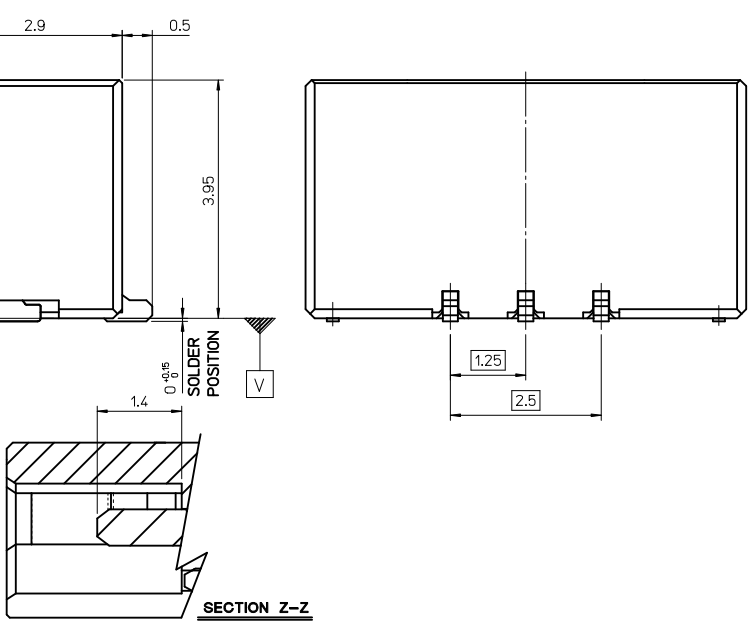


RECOMMENDED PCB LAY OUT
[GENERAL TOLERANCE ±0.05]

[POSITIVE LOCKING HOUSING] [FRICTION LOCKING HOUSING]
MATED CONDITION (REF.)

- NOTES.**
- MATED WITH : 104131-0300 / 104131-0310
 - MATERIALS.
 - HEADER : LCP E130i, GLASS FILLED, UL 94V-0 HALOGEN FREE, COLOR OF NATURAL
 - CONTACT TERMINAL : PHOSPHOR BRONZE, 0.25mm Thickness
 - FITTING NAIL : PHOSPHOR BRONZE, 0.2mm Thickness
 - FINISHES.
 - CONTACT TERMINAL : PURE-TIN PLATING ON OVERALL. THICKNESS : 3.0µm~5.0µm UNDER PLATING Ni OVERALL. THICKNESS : 1.25µm~3.75µm
 - FITTING NAIL : PURE-TIN PLATING ON OVERALL. THICKNESS : 3.0µm~5.0µm UNDER PLATING Ni OVERALL. THICKNESS : 1.25µm~3.75µm
 - COPLANALITH OF SOLDER TAIL (PEAK TEMP. : 260°C) BEFORE & AFTER REFLOW : 0.08MAX



RELEASED

EC NO: KOR2012-0059

DRWN: JHPARK01 2011/12/19

CHKD: SHCHU 2011/12/19

APPR: YUNSIKKIM 2011/12/29

REV A

QUALITY SYMBOLS	GENERAL TOLERANCES (UNLESS SPECIFIED)	
	mm	INCH
▽=0	4 PLACES ± ---	± ---
▽=0	3 PLACES ± ---	± ---
	2 PLACES ± 0.15	± ---
	1 PLACE ± 0.15	± ---
	ANGULAR ± 1 °	

DRAFT WHERE APPLICABLE MUST REMAIN WITHIN DIMENSIONS

DIMENSION STYLE	
MM ONLY	
DRAWN BY	DATE
JHPARK01	2011/12/19
CHECKED BY	DATE
SHCHU	2011/12/19
APPROVED BY	DATE
YUNSIKKIM	2011/12/29
MATERIAL NO.	
1041300310	

ORDER NUMBER	104130-0310
DESIGN UNITS	METRIC
THIRD ANGLE PROJECTION	
TITLE	
1.25MM WTB CONN. 3P HEADER ASS'Y	
MOLEX INCORPORATED	
DOCUMENT NO.	SD-104130-001
SHEET NO.	1 OF 01