

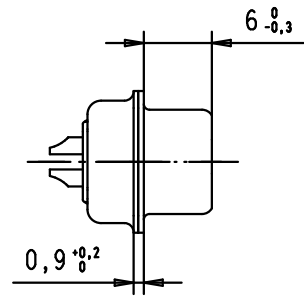
5 4 3 2 1

SPECIFICATION: C Filter

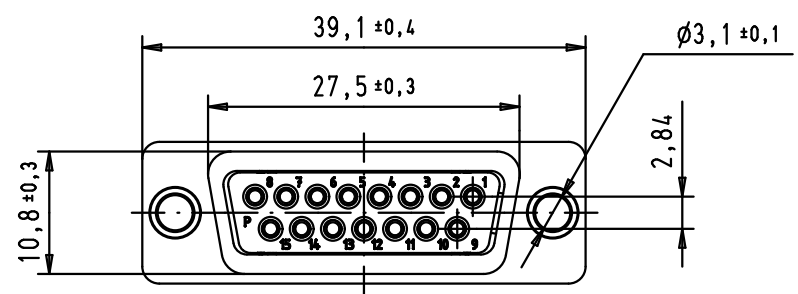
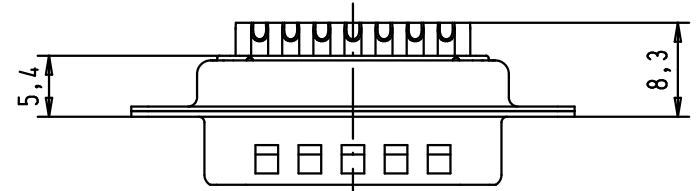
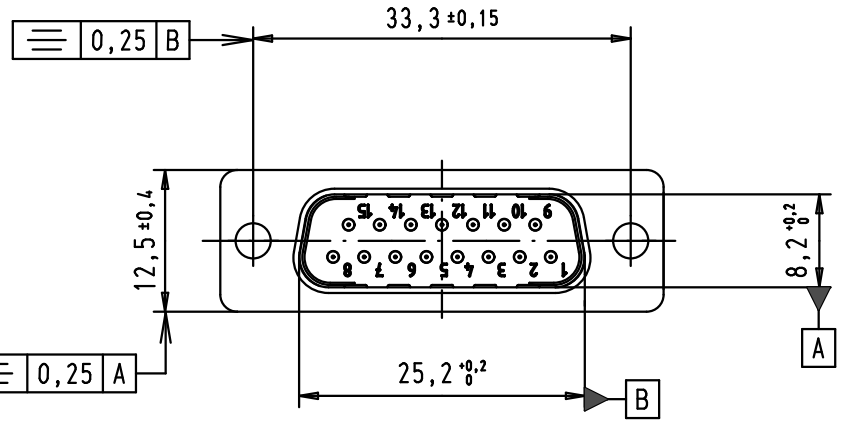
Performance level	PL2
Capacitance	1000pf±20%
Working Voltage	100v
Current Rating	7.5A
Insulation Resistance	>1GΩ

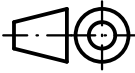

Minimum insertion loss

FREQUENCY (MHz)	ATTENUATION dB
5	1dB
10	3dB
50	12dB
100	20dB
500	34dB
1000	30dB



Max wire ϕ 1,0 mm



						 All Dim. in mm Orig. Size DIN A 4
			Detail.	8-JUL-02	CV	
			Insp.	12/01/12	JB	
36283	12/01/12	SD	Stand.			
31570	07/11/03	AF				
31058	8-JUL-02	CV				
Mod.	Dat.	Name	HARTING EURL F-95972 Paris			

D-Sub, male, Straight
15 Poles, with turned
solder bucket and hole

Ma?stab/
Scale
1.5:1

TB 09642217230

Blatt/ Page
1 / 1

Sub.

D
C
B
A