

MATERIALS AND FINISH

BODY: BRASS
PLATED TIN

CENTER CONTACT: BERYLLIUM COPPER
PLATED GOLD

CONTACT: BRASS
PLATED GOLD

INSULATOR: TEFLON

JAM NUT: BRASS
PLATED NICKEL

WASHER: PHOSPHOR BRONZE
PLATED NICKEL

ELECTRICAL CHARACTERISTICS:

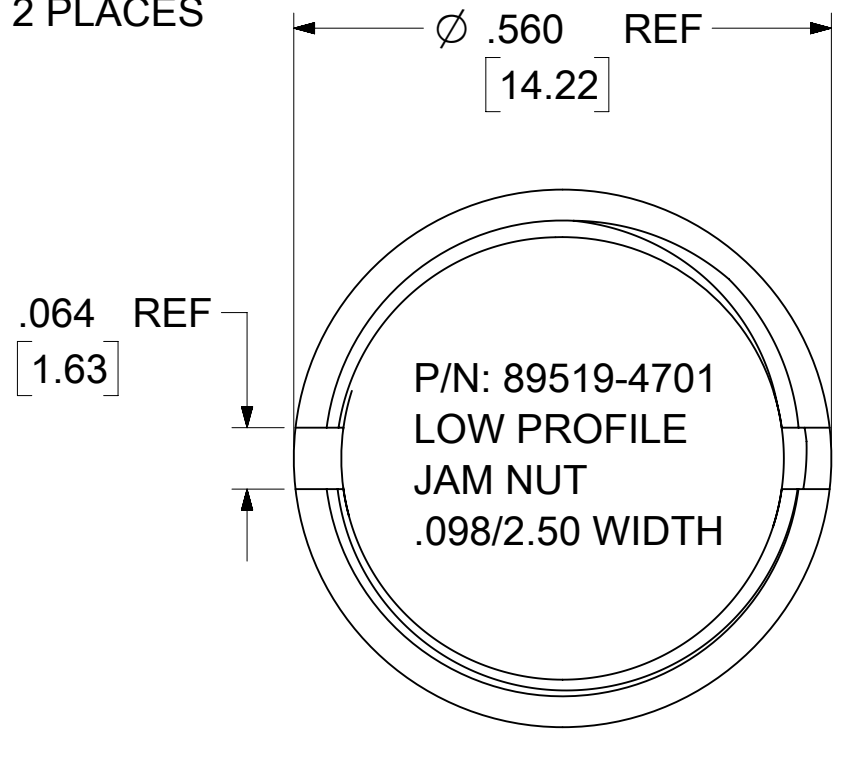
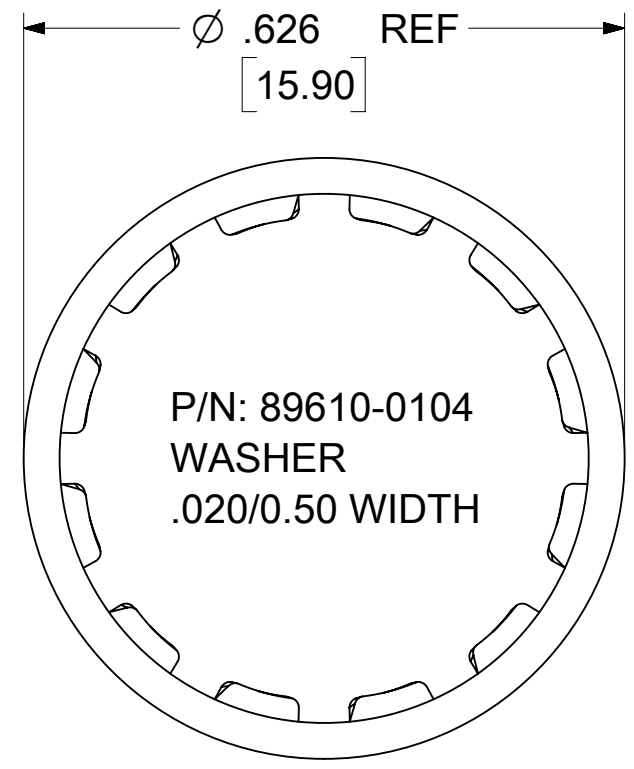
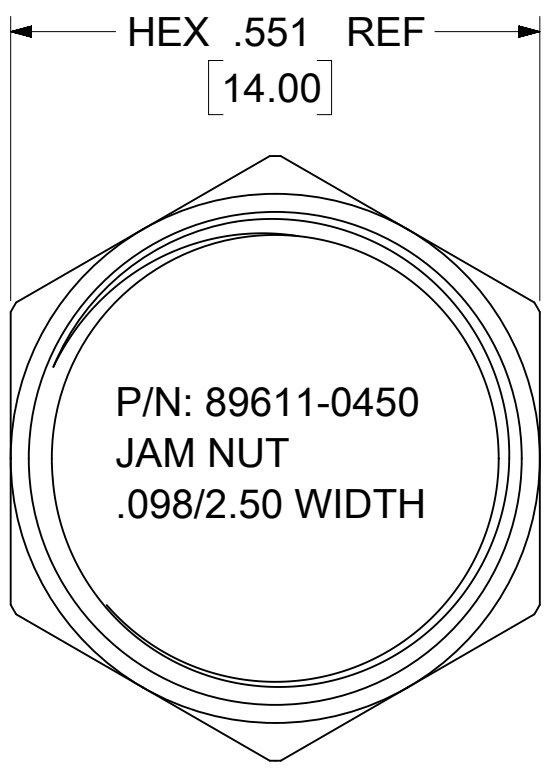
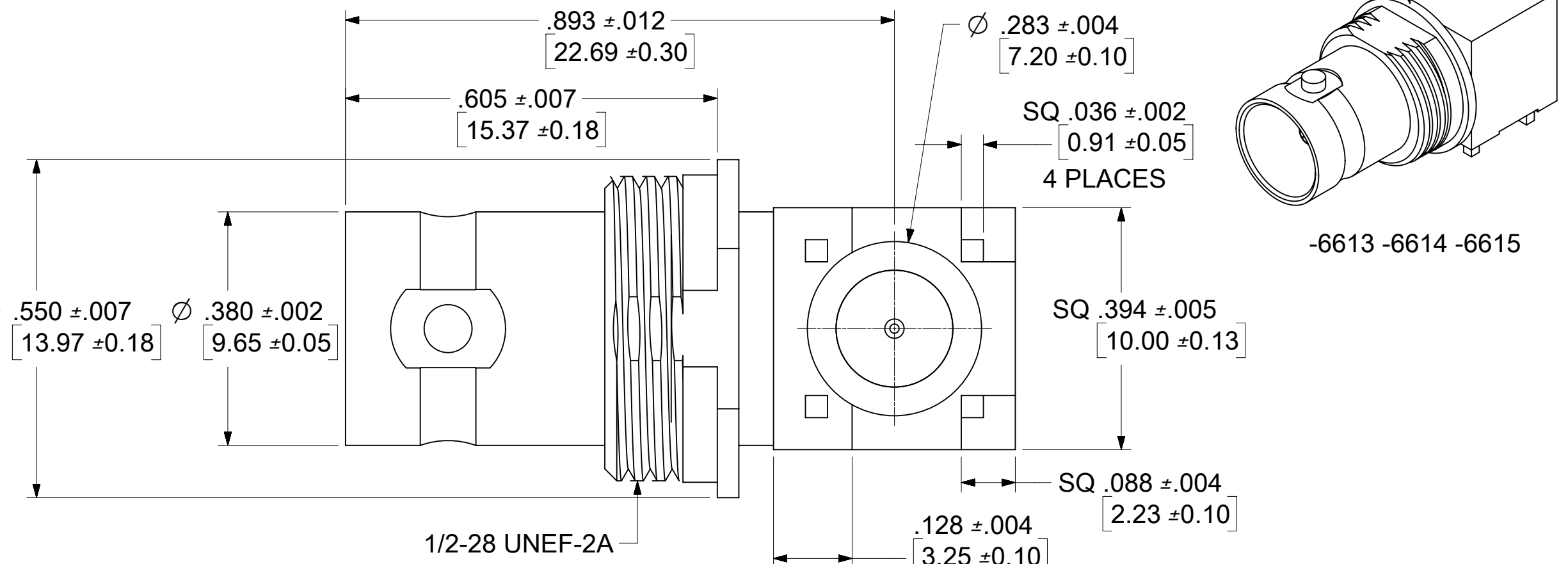
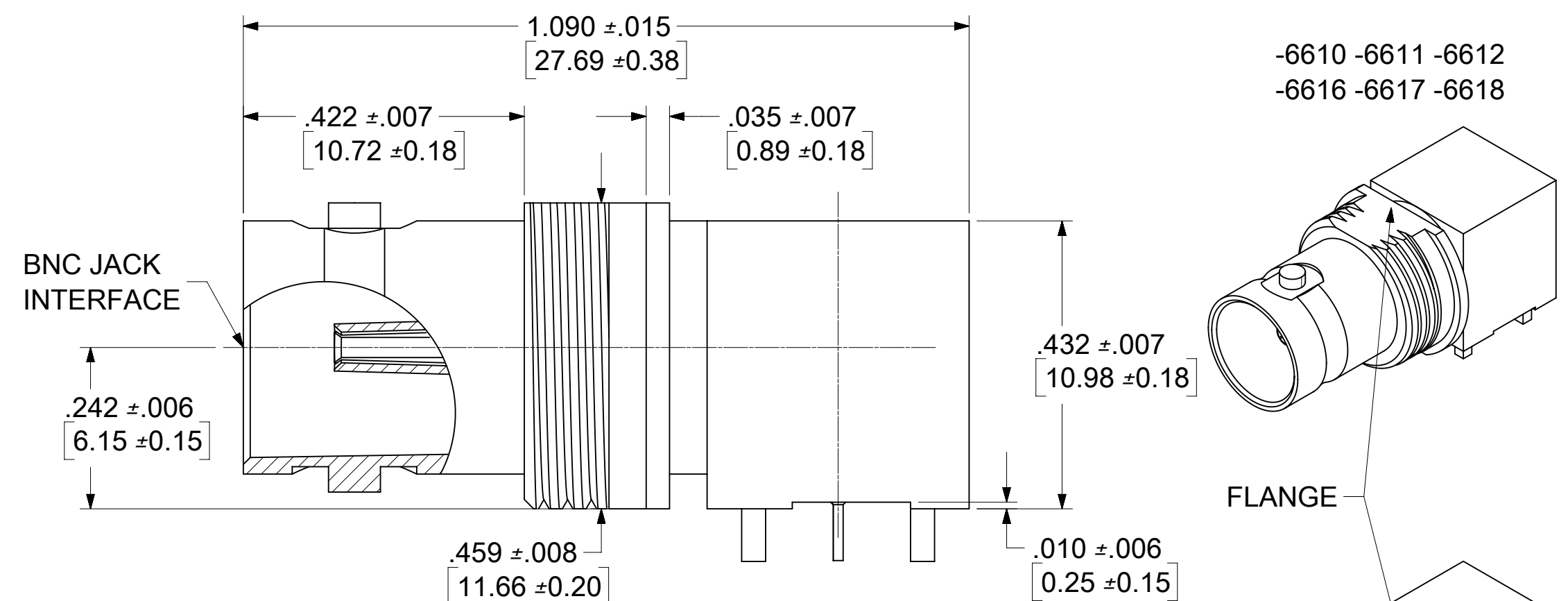
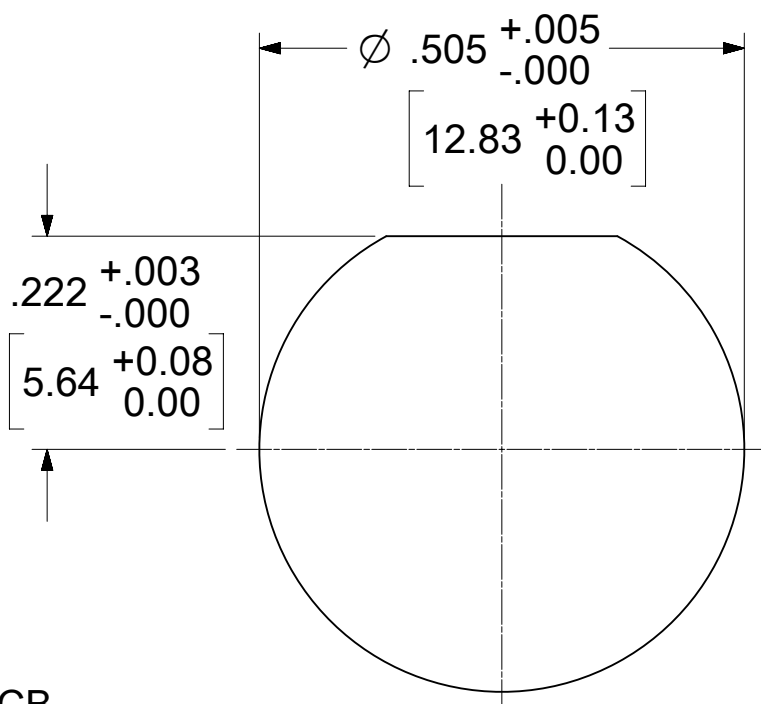
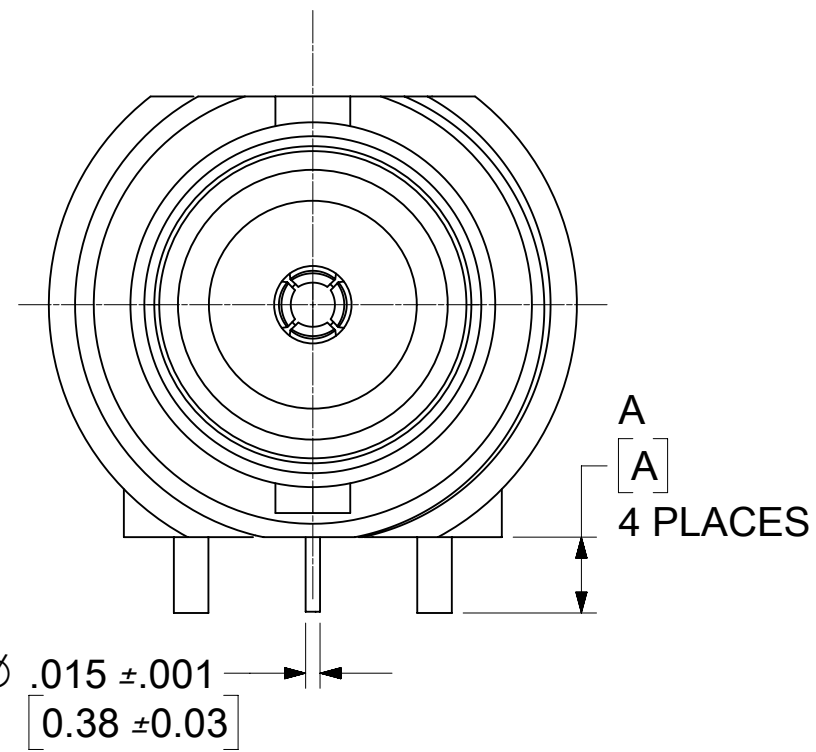
FREQUENCY RANGE: DC TO 12 GHZ.
NOMINAL IMPEDANCE: 75Ω
RF RETURN LOSS:
CONNECTOR ONLY (MODEL BASED)

FREQUENCY	MIN RL
0-6 GHz	30 dB
6-12 GHz	20 dB

CONNECTOR WITH PCB LAUNCH
(MEASURED DATA WITH OPTIMIZED PCB
LAUNCH, FOR REFERENCE ONLY)

FREQUENCY	MIN RL
0-6 GHz	22 dB
6-12 GHz	16 dB

RF INSERTION LOSS: 0.5 dB MAX



73171-6618			NOT INCLUDE	NOT INCLUDE	TRAY
73171-6617	.083±.007	2.10±0.18	89519-4701	89610-0104	
73171-6616			89611-0450		
73171-6612			NOT INCLUDE	NOT INCLUDE	
73171-6611	.079±.007	2.01±0.18	89519-4701	89610-0104	
73171-6610			89611-0450		
PART NO.	IN	MM	JAM NUT	WASHER	PACKAGING
	DIM A (IN/MM)				

MIL-STD-348B, FIG. 330-1	INTERFACE
SPECIFICATION	DESCRIPTION

C3	2019/2/19	CORRECT TYPO IN JAM NUT (SHEET 2)
REV	DATE	DESCRIPTION
		CORRECT TYPO IN DIM A (SHEET 1)

DOCUMENT STATUS	P1	RELEASE DATE	2019/02/19	15:29:33
-----------------	----	--------------	------------	----------

THIS DRAWING CONTAINS INFORMATION THAT IS PROPRIETARY TO MOLEX ELECTRONIC TECHNOLOGIES, LLC AND SHOULD NOT BE USED WITHOUT WRITTEN PERMISSION

DIMENSION UNITS	SCALE	CURRENT REV	DESC:
HYBRID	NTS		
GENERAL TOLERANCES (UNLESS SPECIFIED)			
ANGULAR TOL	± 2.0°	EC NO: 612284	
4 PLACES	±	DRWN: RYEH	2019/02/18
3 PLACES	±	CHK'D: YCHENG	2019/02/19
2 PLACES	±	APPR: YCHENG	2019/02/19
1 PLACE	±	INITIAL REVISION:	
0 PLACES	±	DRWN: RYEH	2015/01/28
		APPR: YCHENG	2015/02/06
DRAFT WHERE APPLICABLE MUST REMAIN WITHIN DIMENSIONS	THIRD ANGLE PROJECTION	DRAWING	SERIES
		C-SIZE	73171

molex

BNC JACK R/A PCB TH
75 OHMS DC-12GHZ BNC-J/PCB

PRODUCT CUSTOMER DRAWING

DOCUMENT NUMBER	DOC TYPE	DOC PART	REVISION
SD-73171-661	PSD	001	C3

MATERIAL NUMBER	CUSTOMER	SHEET NUMBER
SEE TABLE	GENERAL MARKET	1 OF 6

MATERIALS AND FINISH

BODY: BRASS
PLATED TIN

CENTER CONTACT: BERYLLIUM COPPER
PLATED GOLD

CONTACT: BRASS
PLATED GOLD

INSULATOR: TEFLON

JAM NUT: BRASS
PLATED NICKEL

WASHER: PHOSPHOR BRONZE
PLATED NICKEL

ELECTRICAL CHARACTERISTICS:

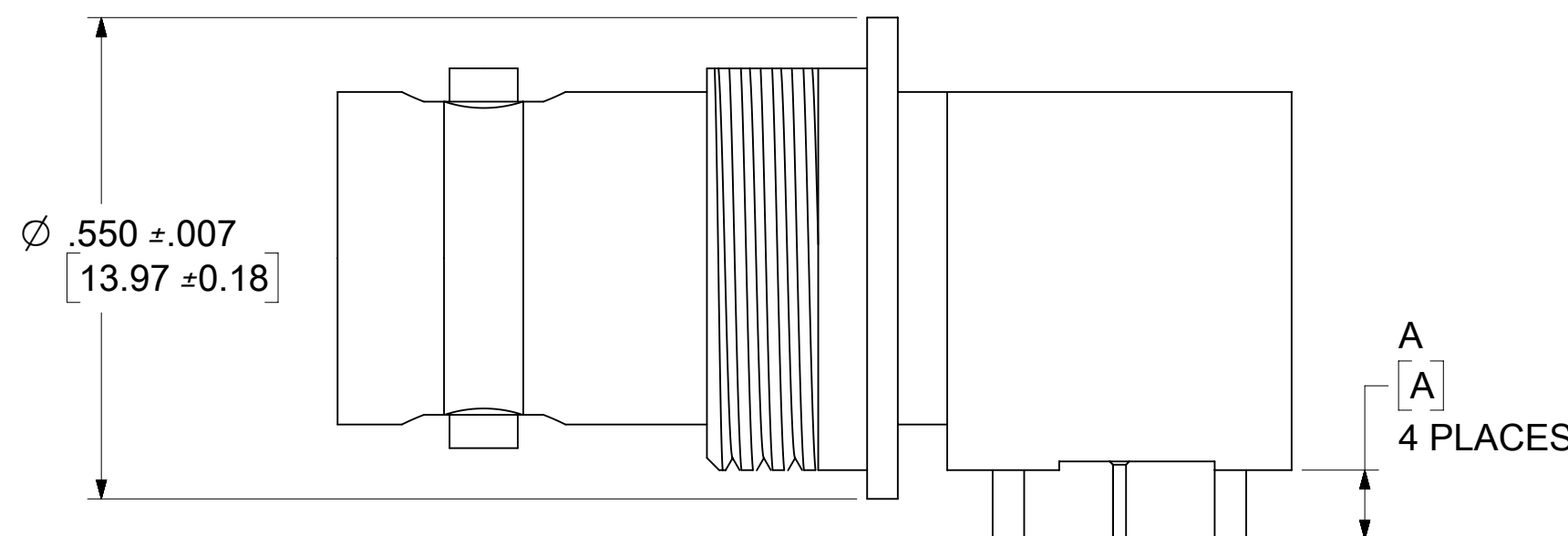
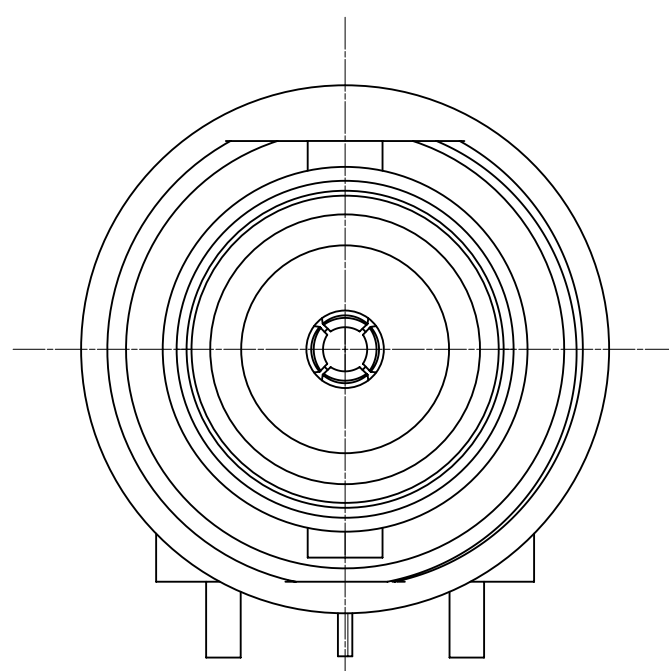
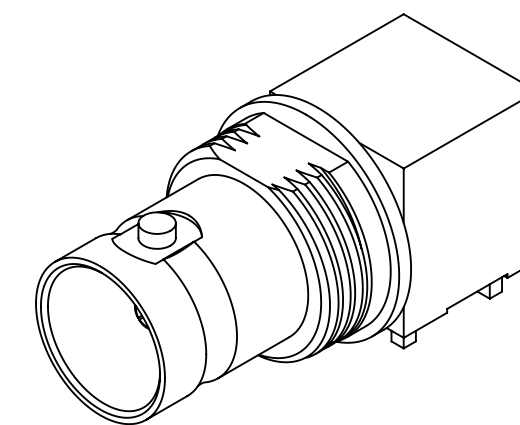
FREQUENCY RANGE: DC TO 12 GHZ.
NOMINAL IMPEDANCE: 75Ω
RF RETURN LOSS:
CONNECTOR ONLY (MODEL BASED)

FREQUENCY	MIN RL
0-6 GHz	30 dB
6-12 GHz	20 dB

CONNECTOR WITH PCB LAUNCH
(MEASURED DATA WITH OPTIMIZED PCB
LAUNCH, FOR REFERENCE ONLY)

FREQUENCY	MIN RL
0-6 GHz	22 dB
6-12 GHz	16 dB

RF INSERTION LOSS: 0.5 dB MAX

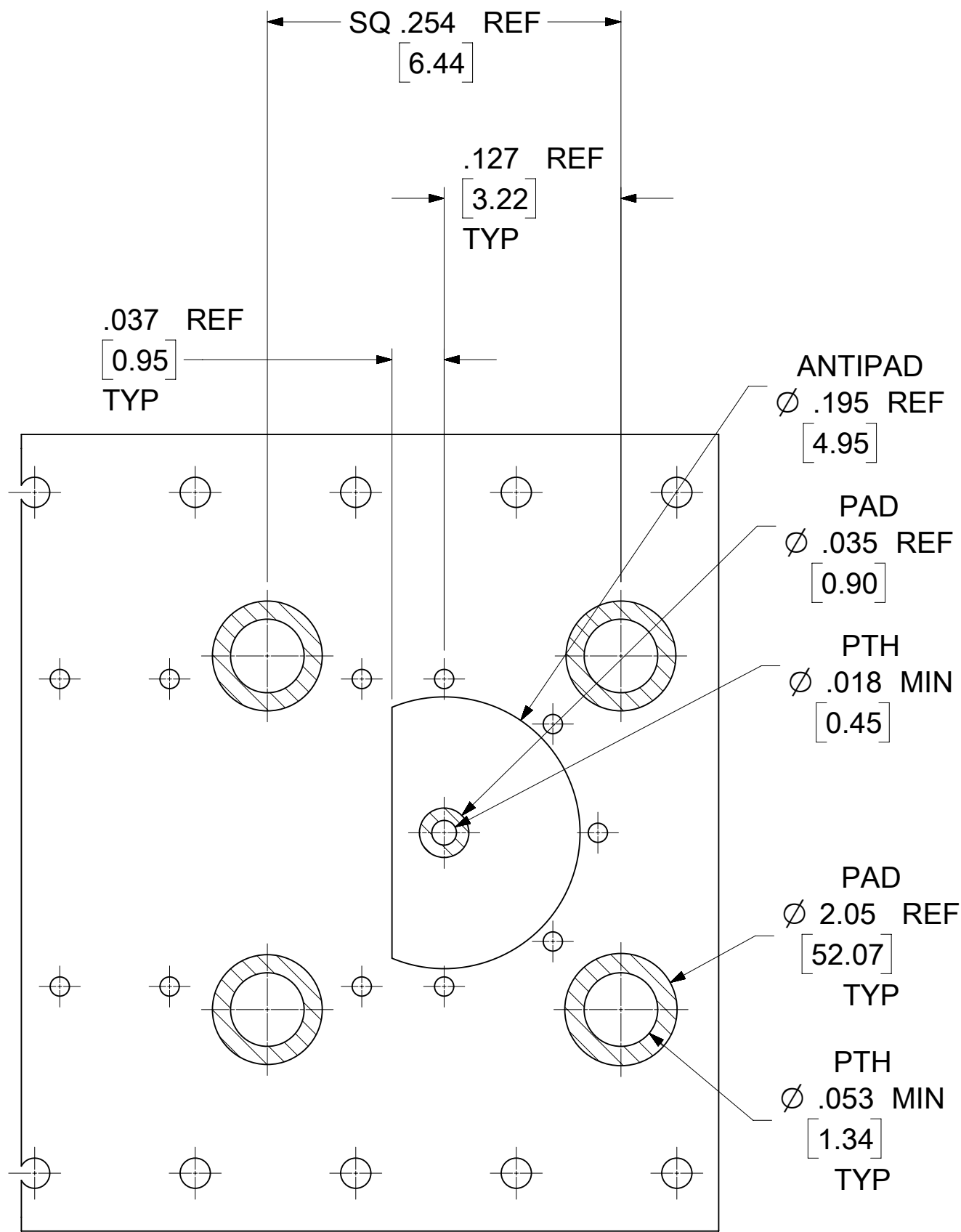


ALL DIMENSIONS AND HARDWARE OF 73171-6613 THRU -6615 ARE THE SAME
AS 73171-6610 THRU -6612 EXCEPT FLANGE

73171-6615			NOT INCLUDE	NOT INCLUDE	TRAY
73171-6614	.079±.007	2.01±0.18	89519-4701	89610-0104	
73171-6613			89611-0450		
PART NO.	IN	MM	JAM NUT	WASHER	PACKAGING
	DIM A				

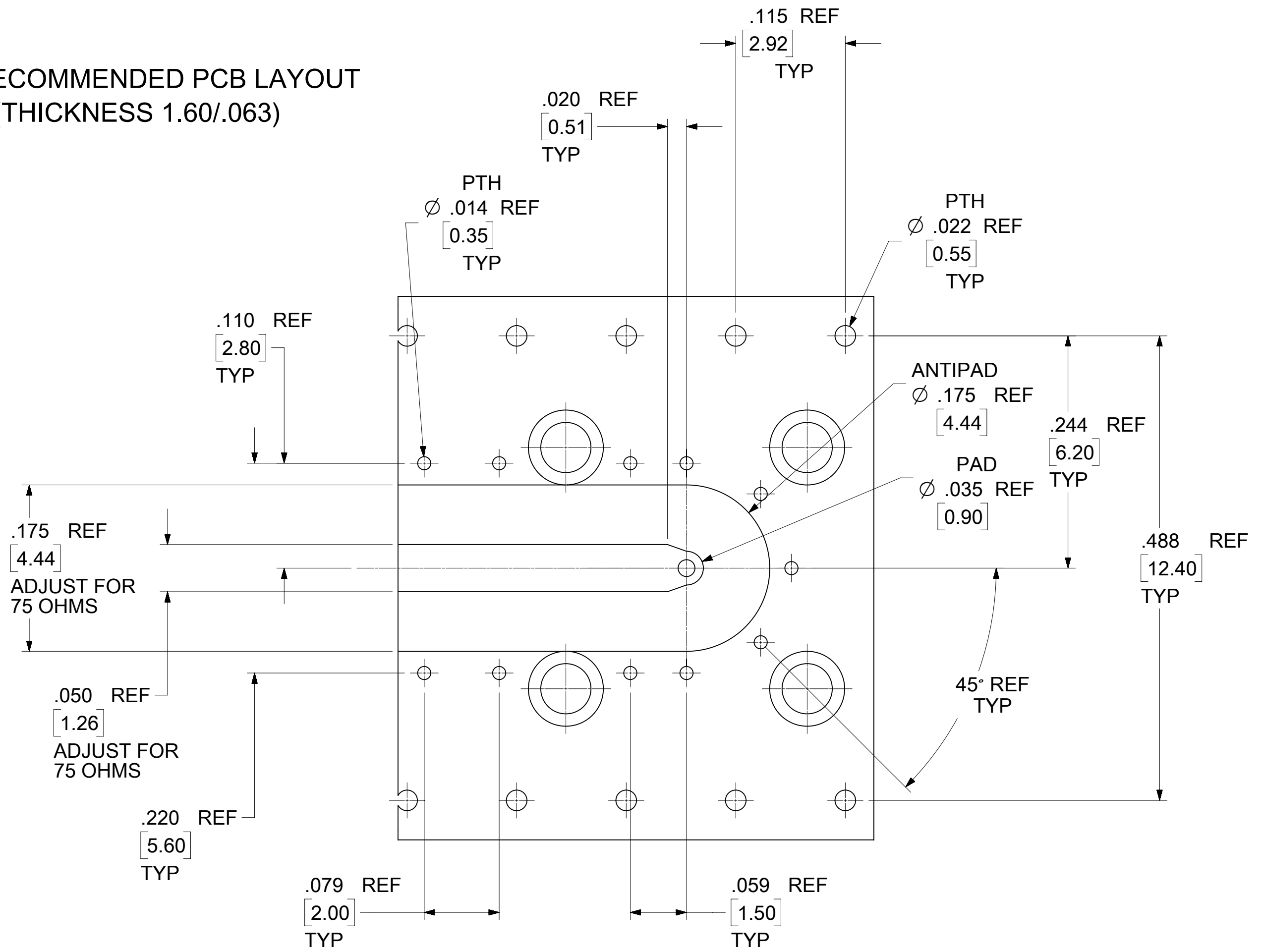
THIS DRAWING CONTAINS INFORMATION THAT IS PROPRIETARY TO MOLEX ELECTRONIC TECHNOLOGIES, LLC AND SHOULD NOT BE USED WITHOUT WRITTEN PERMISSION									
DIMENSION UNITS		SCALE		CURRENT REV DESC:				molex	
HYBRID		NTS							
GENERAL TOLERANCES (UNLESS SPECIFIED)				EC NO: 612284				BNC JACK R/A PCB TH 75 OHMS DC-12GHZ BNC-J/PCB	
ANGULAR TOL ± 2.0°				DRWN: RYEH 2019/02/18					
4 PLACES ±				CHK'D: YCHENG 2019/02/19				PRODUCT CUSTOMER DRAWING	
3 PLACES ±				APPR: YCHENG 2019/02/19					
2 PLACES ±				INITIAL REVISION:				DOCUMENT NUMBER	
1 PLACE ±				DRWN: RYEH 2015/01/28					
0 PLACES ±				APPR: YCHENG 2015/02/06				SD-73171-661	
DRAFT WHERE APPLICABLE MUST REMAIN WITHIN DIMENSIONS		THIRD ANGLE PROJECTION		DRAWING		SERIES		MATERIAL NUMBER	
				C-SIZE		73171		SEE TABLE	
								CUSTOMER	
								GENERAL MARKET	
								SHEET NUMBER	
								2 OF 6	

DOCUMENT STATUS	P1	RELEASE DATE	2019/02/19	15:29:33
-----------------	----	--------------	------------	----------



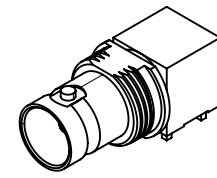
TOP VIEW

RECOMMENDED PCB LAYOUT
(THICKNESS 1.60/.063)



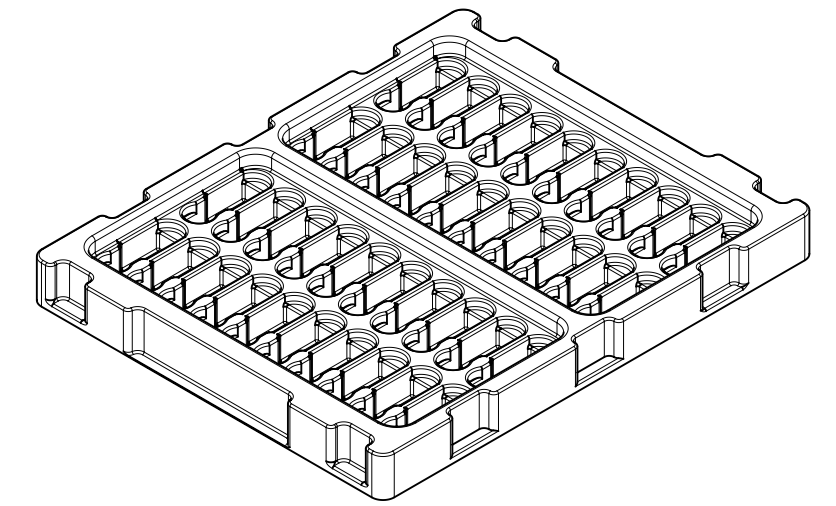
BOTTOM VIEW

THIS DRAWING CONTAINS INFORMATION THAT IS PROPRIETARY TO MOLEX ELECTRONIC TECHNOLOGIES, LLC AND SHOULD NOT BE USED WITHOUT WRITTEN PERMISSION									
DIMENSION UNITS		SCALE		CURRENT REV DESC:				molex	
HYBRID		NTS							
GENERAL TOLERANCES (UNLESS SPECIFIED)									
ANGULAR TOL		± 2.0°		EC NO: 612284		2019/02/18		BNC JACK R/A PCB TH 75 OHMS DC-12GHZ BNC-J/PCB	
4 PLACES		±		DRWN: RYEH		2019/02/19			
3 PLACES		±		CHK'D: YCHENG		2019/02/19		PRODUCT CUSTOMER DRAWING	
2 PLACES		±		APPR: YCHENG		2019/02/19			
INITIAL REVISION:									
1 PLACE		±		DRWN: RYEH		2015/01/28		DOCUMENT NUMBER SD-73171-661	
0 PLACES		±		APPR: YCHENG		2015/02/06			
DRAFT WHERE APPLICABLE MUST REMAIN WITHIN DIMENSIONS		THIRD ANGLE PROJECTION		DRAWING		SERIES		MATERIAL NUMBER SEE TABLE	
				C-SIZE		73171		CUSTOMER GENERAL MARKET	
								DOC TYPE PSD	
								DOC PART 001	
								REVISION C3	
								SHEET NUMBER 3 OF 6	

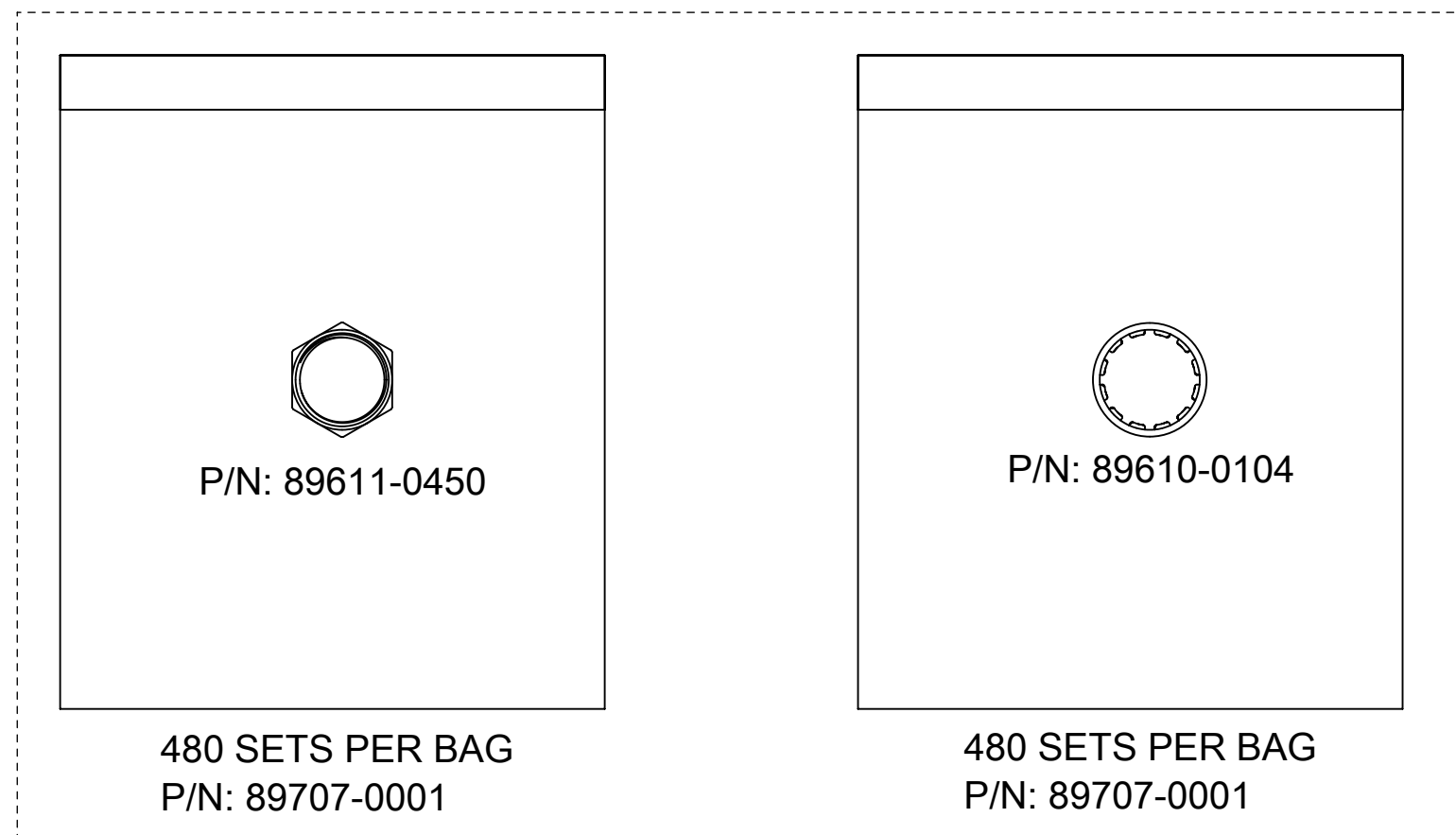


P/N: 73171-6610 -6611 -6612

73171-6612	NOT INCLUDE	NOT INCLUDE	TRAY
73171-6611	89519-4701	89610-0104	
73171-6610	89611-0450		PACKAGING
PART NO.	JAM NUT	WASHER	

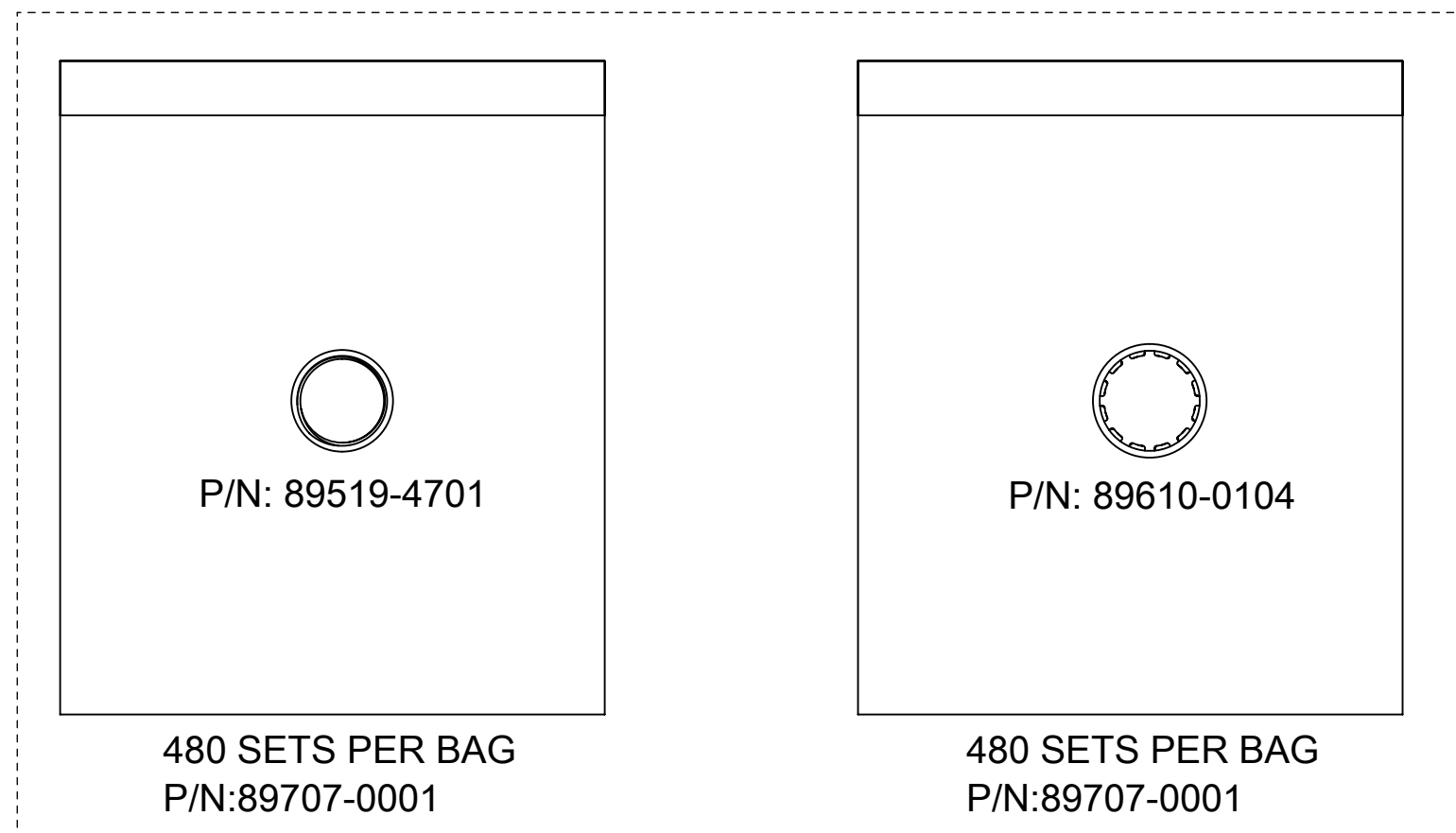


40 SETS PER TRAY
P/N: 89707-0169



480 SETS PER BAG
P/N: 89707-0001

480 SETS PER BAG
P/N: 89707-0001

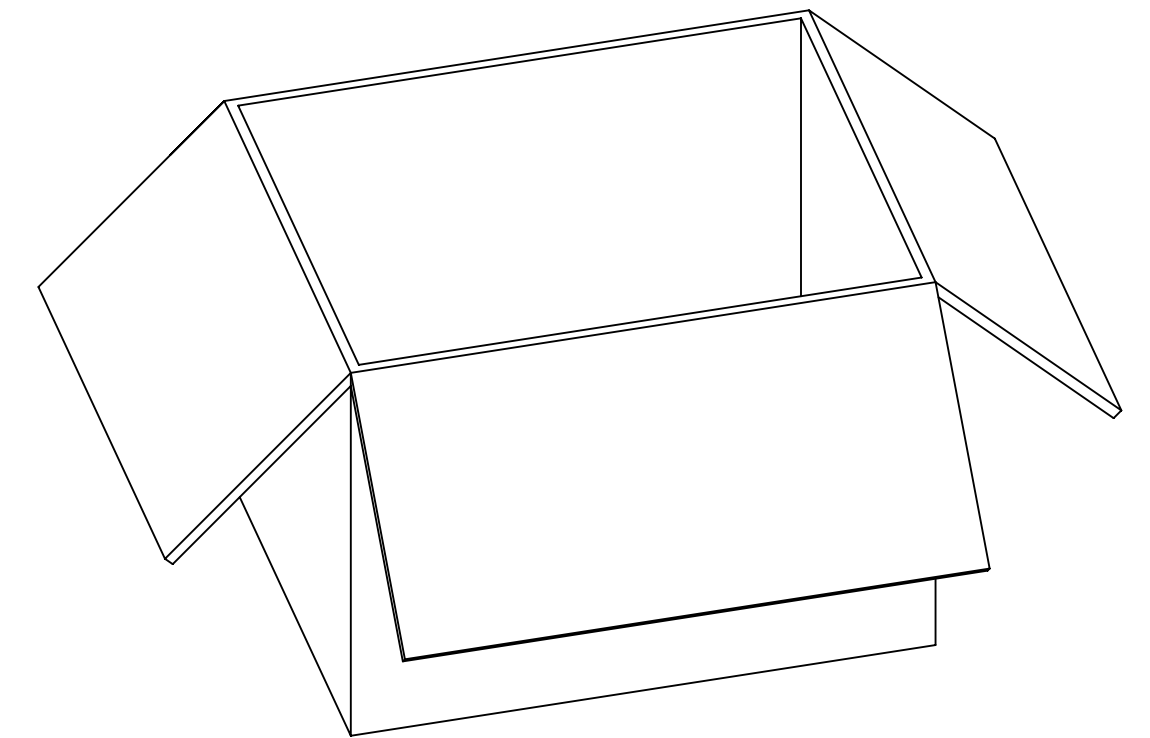


480 SETS PER BAG
P/N: 89707-0001

480 SETS PER BAG
P/N: 89707-0001

FOR 73171-6610

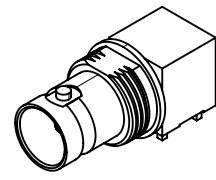
FOR 73171-6611



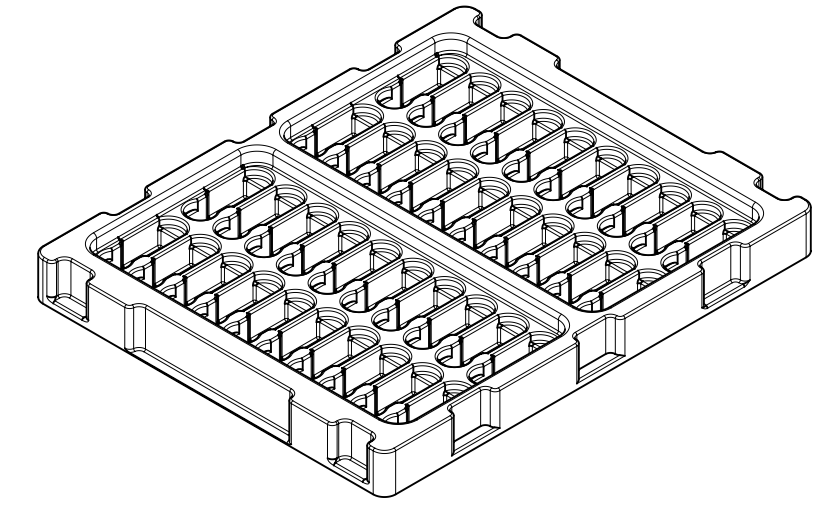
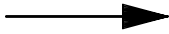
480 SETS PER OUTER
CARTON BOX
P/N: 89499-9027

THIS DRAWING CONTAINS INFORMATION THAT IS PROPRIETARY TO MOLEX ELECTRONIC TECHNOLOGIES, LLC AND SHOULD NOT BE USED WITHOUT WRITTEN PERMISSION									
DIMENSION UNITS		SCALE		CURRENT REV DESC:				molex	
HYBRID		NTS							
GENERAL TOLERANCES (UNLESS SPECIFIED)				EC NO: 612284				BNC JACK R/A PCB TH	
ANGULAR TOL ± 2.0°				DRWN: RYEH 2019/02/18				75 OHMS DC-12GHZ BNC-J/PCB	
4 PLACES ±				CHK'D: YCHENG 2019/02/19				PRODUCT CUSTOMER DRAWING	
3 PLACES ±				APPR: YCHENG 2019/02/19				DOCUMENT NUMBER	
2 PLACES ±				INITIAL REVISION:				SD-73171-661	
1 PLACE ±				DRWN: RYEH 2015/01/28				DOC TYPE	
0 PLACES ±				APPR: YCHENG 2015/02/06				DOC PART	
DRAFT WHERE APPLICABLE MUST REMAIN WITHIN DIMENSIONS				THIRD ANGLE PROJECTION		DRAWING		REVISION	
				C-SIZE		SERIES		C3	
				73171		MATERIAL NUMBER		SHEET NUMBER	
						SEE TABLE		4 OF 6	
						CUSTOMER		GENERAL MARKET	

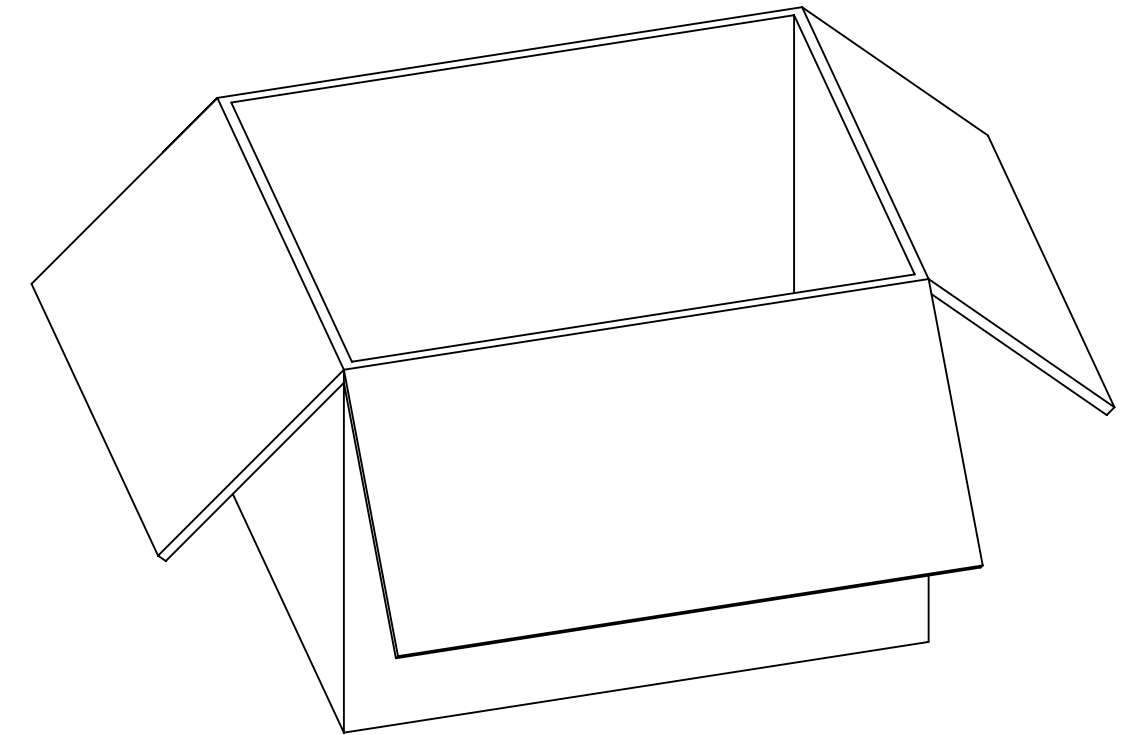
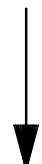
DOCUMENT STATUS	P1	RELEASE DATE	2019/02/19	15:29:33
-----------------	----	--------------	------------	----------



P/N: 73171-6613 -6614 -6615



40 SETS PER TRAY
P/N: 89707-0169

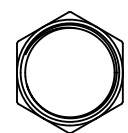


480 SETS PER OUTER
CARTON BOX
P/N: 89499-9027

73171-6615	NOT INCLUDE	NOT INCLUDE	
73171-6614	89519-4701	89610-0104	TRAY
73171-6613	89611-0450		
PART NO.	JAM NUT	WASHER	PACKAGING

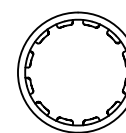
FOR 73171-6613

FOR 73171-6614



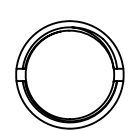
P/N: 89611-0450

480 SETS PER BAG
P/N: 89707-0001



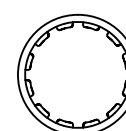
P/N: 89610-0104

480 SETS PER BAG
P/N: 89707-0001




P/N: 89519-4701

480 SETS PER BAG
P/N: 89707-0001

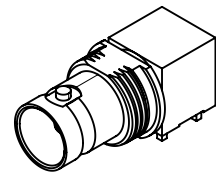


P/N: 89610-0104

480 SETS PER BAG
P/N: 89707-0001

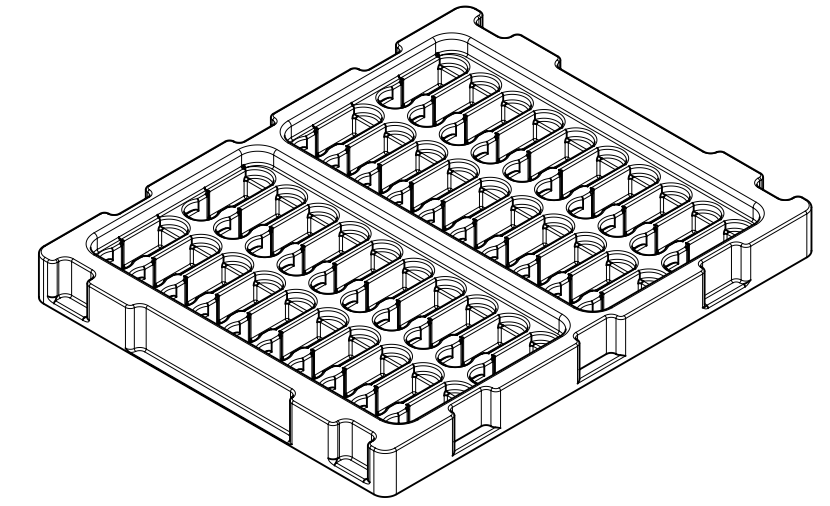
THIS DRAWING CONTAINS INFORMATION THAT IS PROPRIETARY TO MOLEX ELECTRONIC TECHNOLOGIES, LLC AND SHOULD NOT BE USED WITHOUT WRITTEN PERMISSION									
DIMENSION UNITS		SCALE		CURRENT REV DESC:					
HYBRID		NTS		<p>molex</p> <p>BNC JACK R/A PCB TH 75 OHMS DC-12GHZ BNC-J/PCB</p> <p>PRODUCT CUSTOMER DRAWING</p> <p>DOCUMENT NUMBER: SD-73171-661 DOC TYPE: PSD DOC PART: 001 REVISION: C3</p> <p>MATERIAL NUMBER: SEE TABLE CUSTOMER: GENERAL MARKET SHEET NUMBER: 6 OF 6</p>					
GENERAL TOLERANCES (UNLESS SPECIFIED)									
ANGULAR TOL ± 2.0°									
4 PLACES ±		EC NO: 612284							
3 PLACES ±		DRWN: RYEH 2019/02/18							
2 PLACES ±		CHK'D: YCHENG 2019/02/19							
1 PLACE ±		APPR: YCHENG 2019/02/19							
0 PLACES ±		INITIAL REVISION:							
DRAFT WHERE APPLICABLE MUST REMAIN WITHIN DIMENSIONS		THIRD ANGLE PROJECTION		DRAWING		SERIES		MATERIAL NUMBER	
				C-SIZE		73171		SEE TABLE	

DOCUMENT STATUS	P1	RELEASE DATE	2019/02/19	15:29:33
-----------------	----	--------------	------------	----------




P/N: 73171-6616 -6617 -6618

73171-6618	NOT INCLUDE	NOT INCLUDE	TRAY
73171-6617	89519-4701	89610-0104	
73171-6616	89611-0450		
PART NO.	JAM NUT	WASHER	PACKAGING

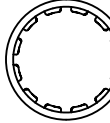


40 SETS PER TRAY
P/N: 89707-0169



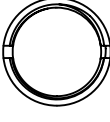
P/N: 89611-0450

480 SETS PER BAG
P/N: 89707-0001



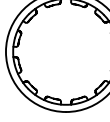
P/N: 89610-0104

480 SETS PER BAG
P/N: 89707-0001



P/N: 89519-4701

480 SETS PER BAG
P/N: 89707-0001

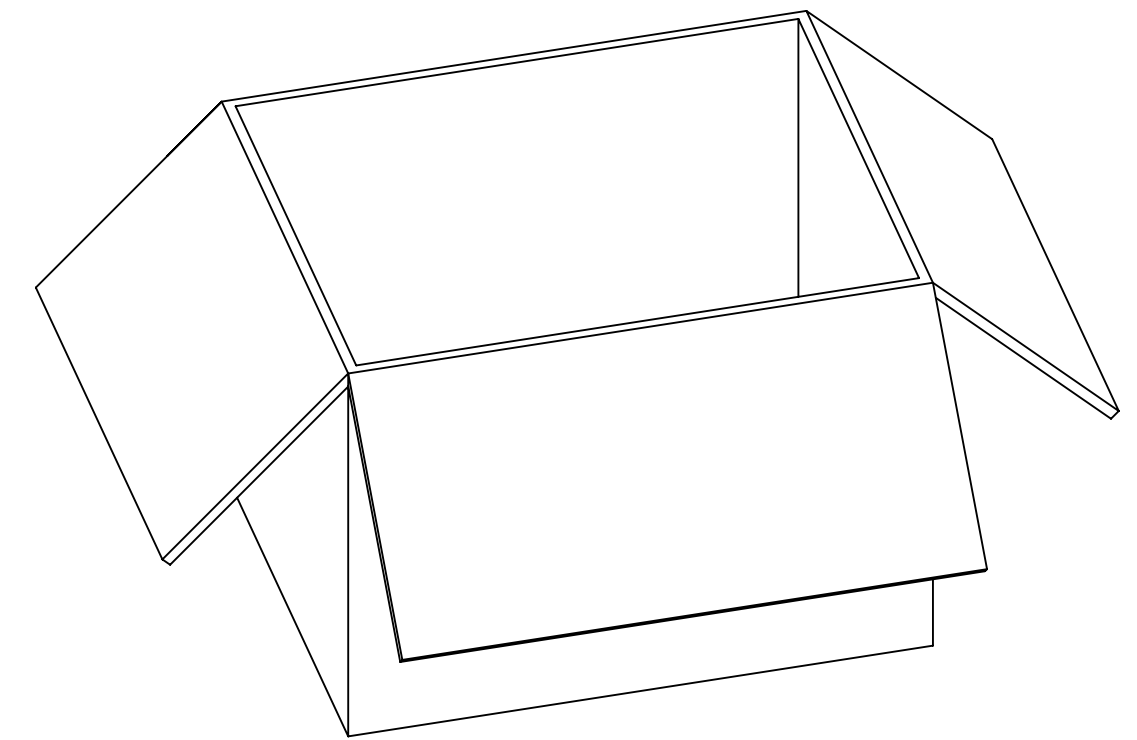


P/N: 89610-0104

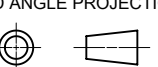
480 SETS PER BAG
P/N: 89707-0001

FOR 73171-6616

FOR 73171-6617



480 SETS PER OUTER
CARTON BOX
P/N: 89499-9027

THIS DRAWING CONTAINS INFORMATION THAT IS PROPRIETARY TO MOLEX ELECTRONIC TECHNOLOGIES, LLC AND SHOULD NOT BE USED WITHOUT WRITTEN PERMISSION													
DIMENSION UNITS		SCALE		CURRENT REV DESC:						molex			
HYBRID		NTS											
GENERAL TOLERANCES (UNLESS SPECIFIED)				EC NO: 612284						BNC JACK R/A PCB TH 75 OHMS DC-12GHZ BNC-J/PCB			
ANGULAR TOL ± 2.0°				DRWN: RYEH 2019/02/18									
4 PLACES ±				CHK'D: YCHENG 2019/02/19									
3 PLACES ±				APPR: YCHENG 2019/02/19						PRODUCT CUSTOMER DRAWING			
2 PLACES ±				INITIAL REVISION:									
1 PLACE ±				DRWN: RYEH 2015/01/28						DOCUMENT NUMBER SD-73171-661			
0 PLACES ±				APPR: YCHENG 2015/02/06								DOC TYPE DOC PART REVISION PSD 001 C3	
DRAFT WHERE APPLICABLE MUST REMAIN WITHIN DIMENSIONS		THIRD ANGLE PROJECTION		DRAWING		SERIES		MATERIAL NUMBER		CUSTOMER			
				C-SIZE		73171		SEE TABLE		GENERAL MARKET		5 OF 6	

DOCUMENT STATUS	P1	RELEASE DATE	2019/02/19	15:29:33
-----------------	----	--------------	------------	----------