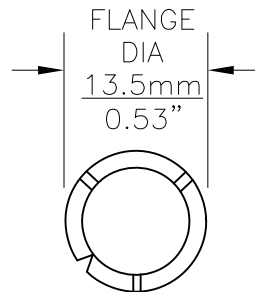


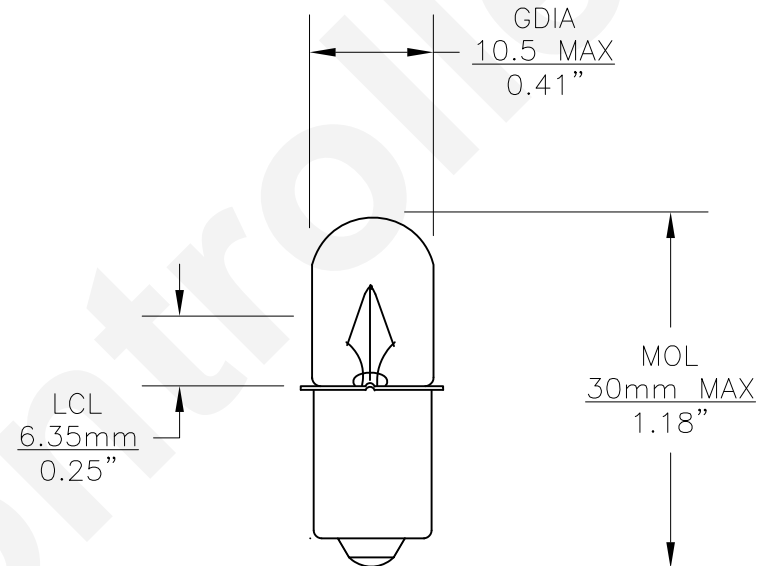
PART NO.	BASE TYPE	DESIGN VOLTS	DESIGN WATTS	DESIGN AMPS	MSCP	FILAMENT TYPE	AVERAGE LIFE HOURS
XPR19	S.C. MINIATURE FLANGED P13.5s	19.2	11.52	0.60 ±10%	13.8 ±15%	C-2V	150

REVISIONS			
REV	DESCRIPTION	DATE	APPROVED
1	ISSUED	04/25/2008	S.L.
2	REVISED AMP, MSCP, FILAMENT, LIFE	07/11/2012	D.C.

RoHS COMPLIANT
LEAD FREE



TOP VIEW



UNLESS OTHERWISE SPECIFIED:
DIMENSIONS ARE IN INCHES
TOLERANCES
DECIMALS ANGULAR
.XX ± .05 ± 0.5°
.XXX ± .010
FRACTIONAL ±1/64

CEC INDUSTRIES LTD

599 BOND STREET

LINCOLNSHIRE, IL 60069

TITLE

LIGHT BULB NO. XPR19, XENON

DRAWN S.L. DATE 04/25/2008

CHECKED

DESIGN

MATERIAL

SIZE A

FSCM NO.

DWG NO.

XPR19

REV 2

SCALE

PLOT SCALE

SHEET 1 OF 1

FILE XPR19.dwg

DO NOT SCALE DRAWING