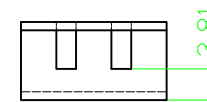
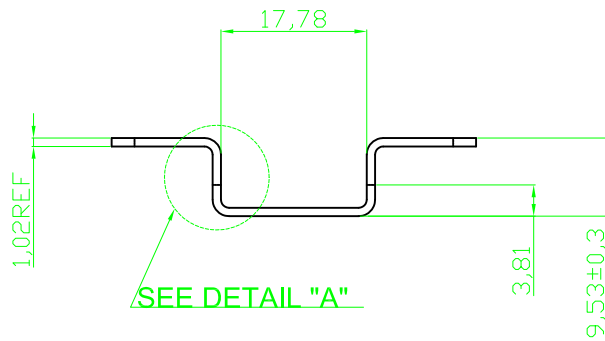
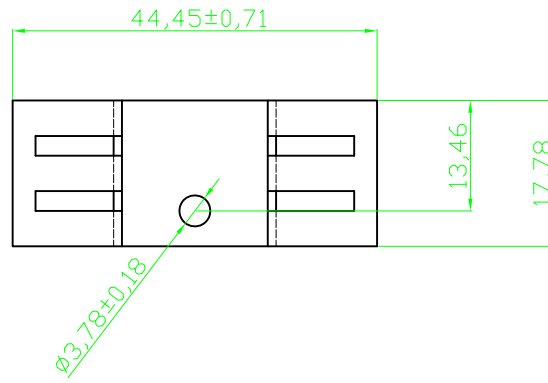


RoHS compliant



DETAIL "A"

Notes  
 Material : ALUMINUM 1100  
 Finished : Black Anodize

Scale	FREE					Date	Name	Customer-No.
TOLERANCE					Drawn	11.08.2009	Dean	ASSMANN WSW-No. V2007B
					Approved	10.03.2010	Andy	
DIM	TOL							Drawing-No.
X.°	±X°	②	Modify drawing layout	10.03.2010	Alex		ASS 0849 HS	rev02
X.X°	±X°	①	Drawn	11.08.2009	Dean		Replace	Sheet
Angle	TOL	Id.	Modification	Date	Name			