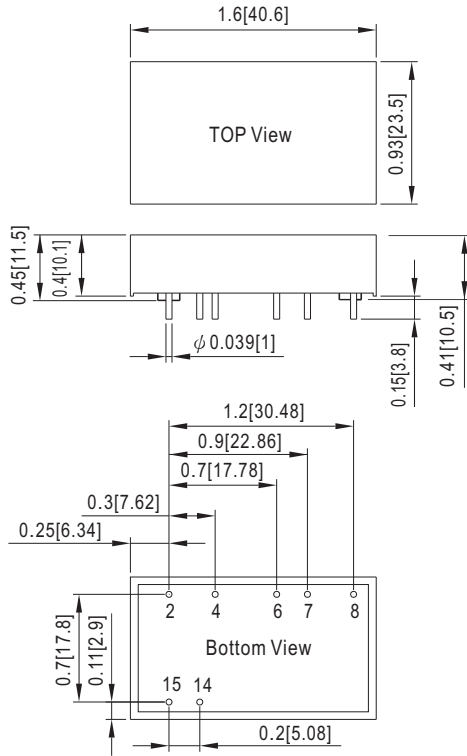


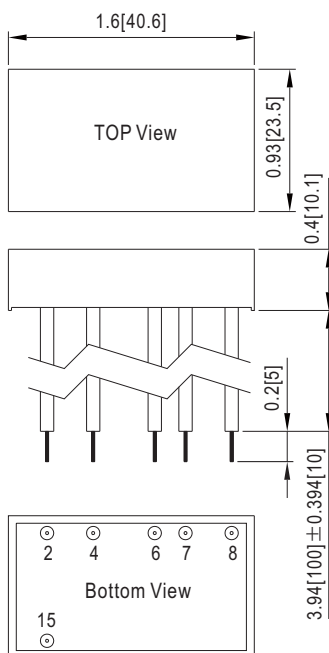
Mechanical Specification

◎ Pin style(LDD- 350H~1400H – DA):



NOTE: Pin tolerance $\pm 0.05\text{mm}$

◎ Wire style(LDD – 350H~1400H-WDA):



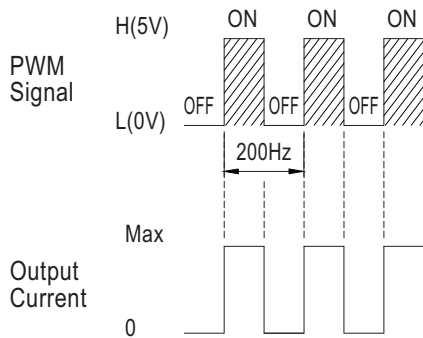
NOTE: Wire range is 16~24AWG

Pin Configuration

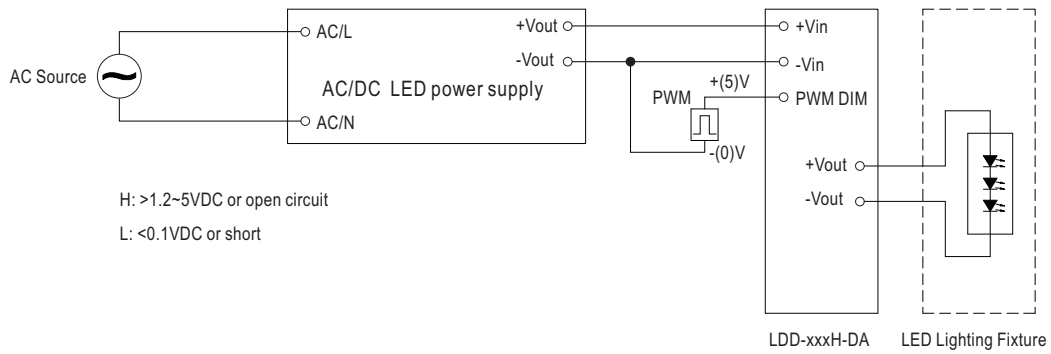
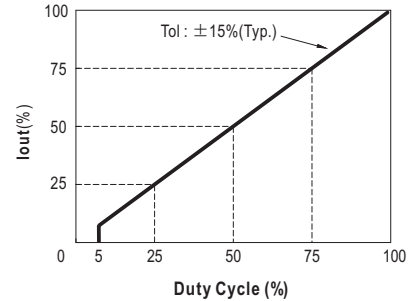
Pin No.		Comment
2	+Vin	DC supply
4	+Vout	LED+ connection
6	-Vout	LED- connection
7	DA	Connect to DALI Controller
8	DA	
14	PWM DIM	PWM Dimming
15	-Vin	DC supply, Don't connect to -Vout

Pin No.		Comment
2	+Vin (Red)	DC supply
4	+Vout (Yellow)	LED+ connection
6	-Vout (Blue)	LED- connection
7	DA (Brown)	Connect to DALI Controller
8	DA (Brown)	
15	-Vin (Black)	DC supply, Don't connect to -Vout

■ PWM Dimming Control & Diagram(pin style only, wire style optional)



⊙ During PWM dimming operation, the output current will change to PWM style.



■ Efficiency VS Output Voltage(Number of LEDs)

Fig-1 12VDC input, 1~3 LEDs(Vf=3V)

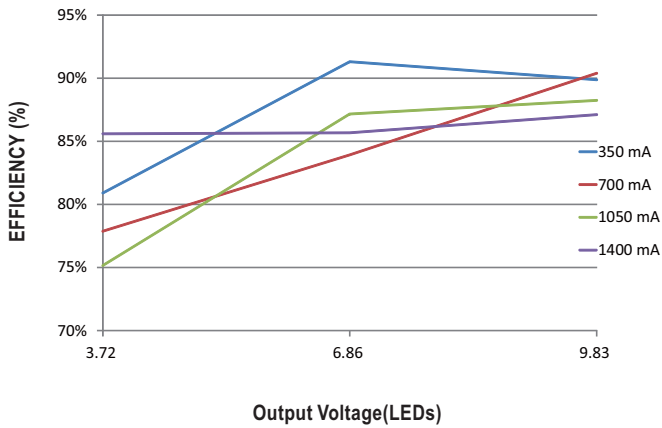


Fig-2 24VDC input, 1~7 LEDs(Vf=3V)

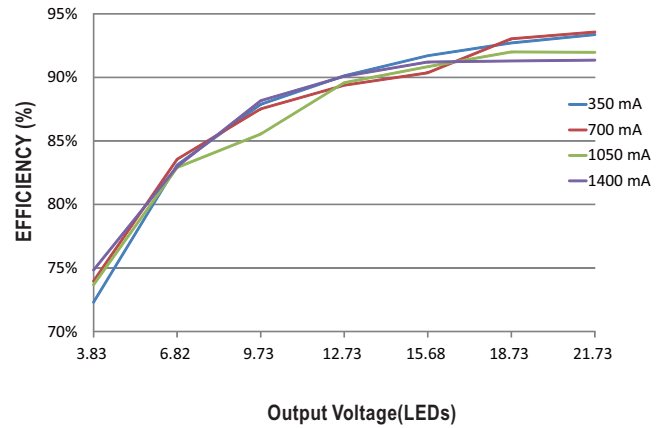


Fig-3 36VDC input, 1~11 LEDs(Vf=3V)

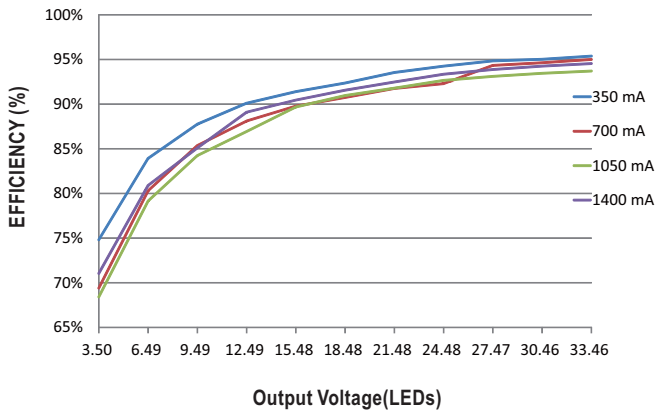
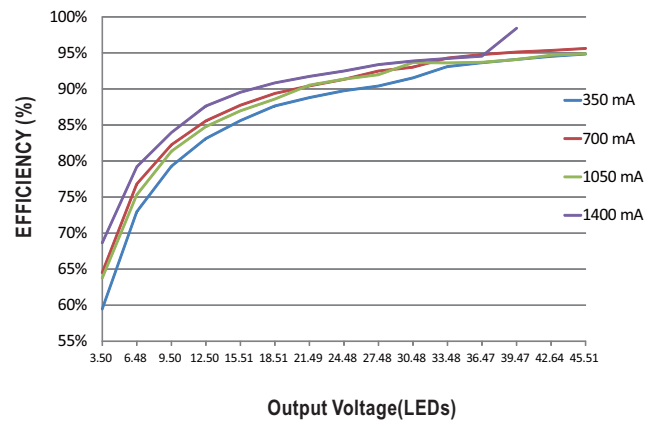


Fig-4 48VDC input, 1~15 LEDs(Vf=3V)



■ Derating Curve

