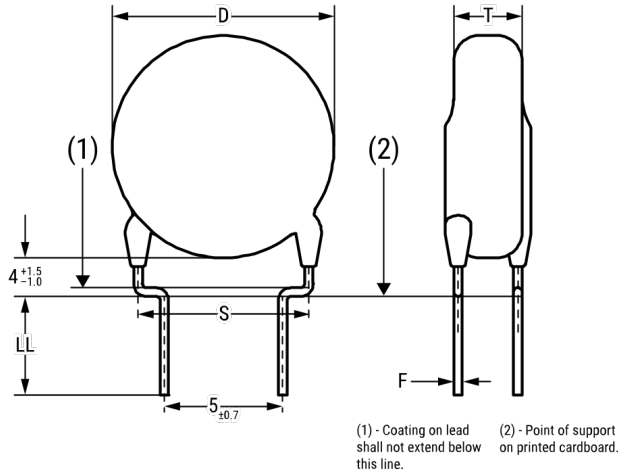


## ERK610Z471MUAR

Aliases (C811UA471M440X, ERK610RK3470MUAR)

Obsolete

ERK610 SFTY X1-440 Y2-300, Ceramic, 470 pF, 20%, 440 VAC (X1), 300 VAC (Y2), Y5U, Lead Spacing = 5mm



Click [here](#) for the 3D model.

### Dimensions

D	8mm MAX
T	6mm MAX
S	5mm +/-0.7mm
H0	16mm +/-0.5mm
F	0.6mm +/-0.05mm
V	2mm +/-0.5mm

### Packaging Specifications

Packaging T&R, H0 = 16mm, Component Pitch = 12.7mm

### General Information

Series	ERK610 SFTY X1-440 Y2-300
Style	Radial Disc
Description	Ceramic Single Layer Safety Disc Capacitors
RoHS	Yes
Termination	Tin
Qualifications	UL, CSA, CAN, ENEC, VDE
AEC-Q200	No
Notes	Please See Bulletin For Taping Information. H0 Dimension Refers to Seating Plane To Center Hole of Tape.

### Specifications

Capacitance	470 pF
Capacitance Tolerance	20%
Voltage AC	440 VAC (X1), 300 VAC (Y2)
Temperature Range	-40/+125°C
Temperature Coefficient	Y5U
Dissipation Factor	2.5%
Insulation Resistance	6 GOhms
Safety Class	X1/Y2