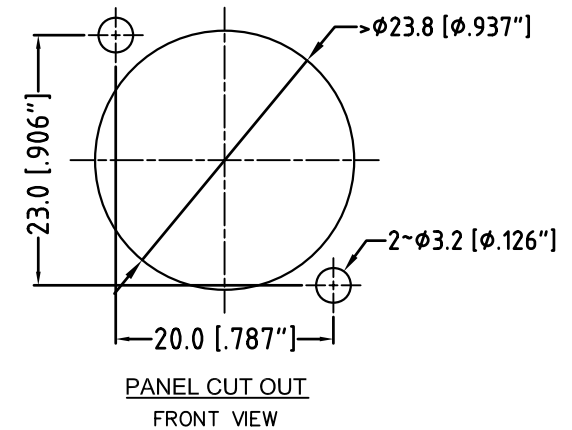
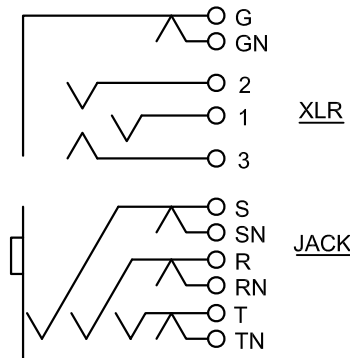


MIN MOUNTING PITCH
ACTUAL SIZE

CONTACTS SCHEMATIC CHART



UNLESS OTHERWISE SPECIFIED TOLERANCE TO BE		THIS DOCUMENT IS THE PROPERTY OF AMPHENOL AUSTRALIA PTY. LTD. NO PART THEREOF MAY BE REPRODUCED AND USED WITHOUT THE PRIOR WRITTEN CONSENT OF THE OWNER				1	Correct Minimum Mounting Pitch dimension from 14mm to 27mm	M.H	19-03-09	8811
LINEAR		ANGULAR		CAD FILE: 55010441000110		DRN:	M.H	DATE:	05-10-07	TITLE:
X ± 0.5	X° ± 1°	X° ± 30°	X° ± 15°	MATL:	REFER TO COMPONENT	CKD:	P.M	DATE:	19-03-09	ACJC10SL C-TYPE CUSTOMER DRAWING
X.X ± 0.1	X° ± 30°	X° ± 15°	X° ± 15°	DO NOT SCALE	FINISH:	REFER TO COMPONENT	APP'D:	P.M	DATE:	
BREAK ALL SHARP EDGES AND REMOVE ALL BURRS		THIRD ANGLE PROJECTION		SCALE:	2:1 UDS	PART No:	ACJC10SL	SIZE:	A3	55010441-000-1
DIMENSIONS IN MILLIMETRES		THIRD ANGLE PROJECTION		SCALE:	2:1 UDS	PART No:	ACJC10SL	SIZE:	A3	55010441-000-1

Amphenol
Amphenol Australia Pty.Ltd, 2 Fireways Blvd, Keysborough, Vic3173
DRAWING NO. SHEET
2 OF 2

1

2

3

4

5

6

A

B

C

D

E

F

1

2

3

4

5

6