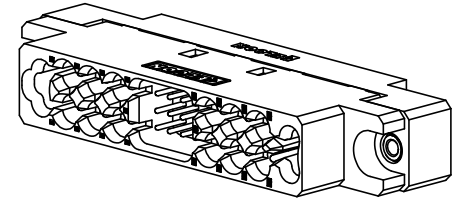
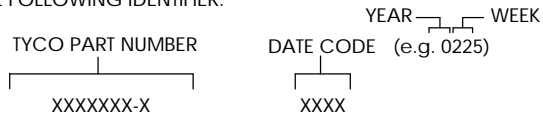


This drawing involves proprietary design rights of Tyco Electronics Corporation, and all design, manufacture, reproduction, use and sale rights regarding the same are expressly reserved. If it is submitted for a specific purpose and the recipient by accepting this drawing, assumes custody and control and agrees to take reasonable precautions, (a) that this drawing will not be copied and reproduced, in whole or in part, or its contents revealed in any manner; or to any person except to meet the purpose for which it was delivered and (b) that any special features peculiar to this design will not be incorporated in other projects without the expressed written permission of Tyco Electronics Corporation.

EC		REV	REVISIONS		DATE
CPR		A	NEW DRAWING		12/06/05



6 ITEMS PROVIDED TO THIS SPECIFICATION TO BE IDENTIFIED PER THE FOLLOWING IDENTIFIER:



5. PIN CONTACTS SPECIFIED FOR USE IN THESE CONNECTORS:
 SIZE #16 PIN CONTACTS, PCB TERMINATION
 GOLD PLATED, 10 AMPS EACH, 250V
 SIZE #20 PIN CONTACTS, PCB TERMINATION
 GOLD PLATED, 4 AMPS EACH, 250V

4. A REFERENCE DIMENSION (X.XX) IS WITHOUT TOLERANCE AND USED FOR INFORMATION ONLY.

3. FINISHES:
 INSULATOR: COLOR BLACK
 CONTACT : GOLD PLATED.

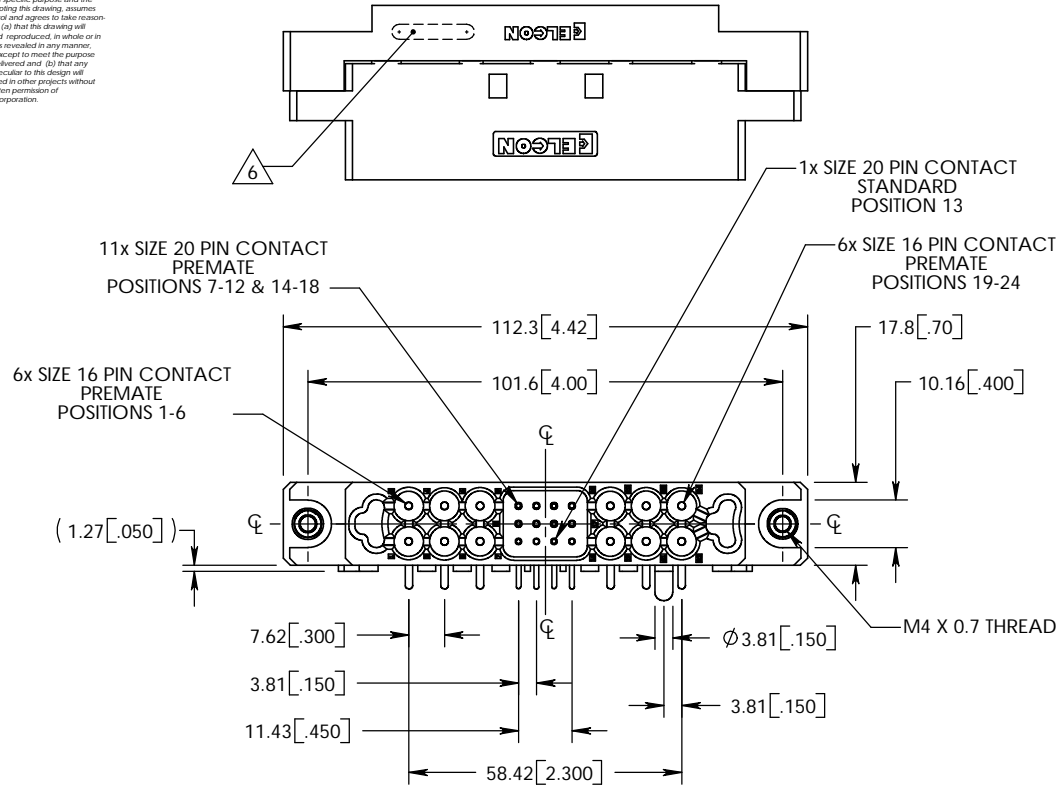
2. MATERIALS:
 INSULATORS: THERMOPLASTIC, UL RATED 94V-0 FLAMMABILITY RATED
 CONTACTS: COPPER ALLOY
 THREADED INSERTS: BRASS
 POLARITY PIN: STAINLESS STEEL

1. PART NUMBER CHANGES AND OR DESIGN CHANGES AFFECTING ITEM INTERCHANGEABILITY REQUIRE PRIOR TYCO APPROVAL AND AUTHORIZATION BY REVISION TO THIS DRAWING.

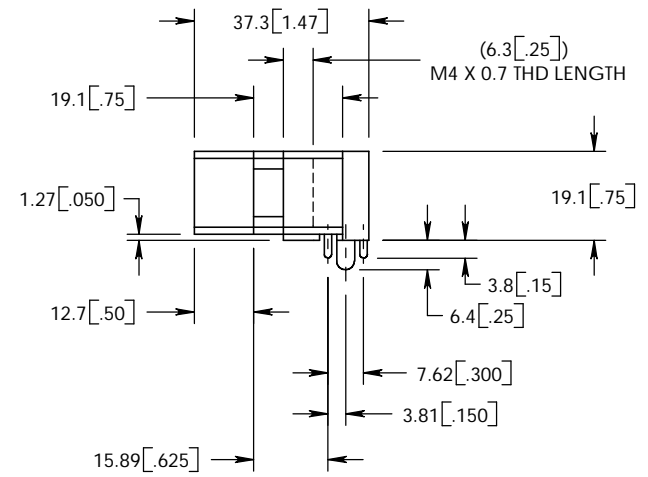
NOTES: UNLESS OTHERWISE SPECIFIED

<p>THIRD ANGLE PROJECTION</p> <p>UNLESS OTHERWISE SPECIFIED DIMENSIONS ARE IN MILLIMETERS [INCH]</p> <p>TOLERANCES</p> <p>ANGLES ± 2.0°</p> <p>DECIMALS</p> <p>.XX ± 0.25 [.010]</p> <p>.X ± 0.5 [.02]</p>	DRAWN R. Larsen/M. Alim	DATE 10/04/01	Tyco Electronics Corporation Menlo Park, CA 94025		
	CHECKED		TITLE CONNECTOR, PIN, RIGHT ANGLE CUSTOM DRAWER PN 6651663-1		
	APPROVED D. CHAU	12/06/05	SIZE B	DWG NUMBER C = 6651663	REV A
	DCA APPROVED M. ALIM	12/06/05	FILE NAME SC6651663A.SLDDRW		
DWG SCALE: 1 = 1			SH 1 OF 3		

This drawing involves proprietary design rights of Tyco Electronics Corporation, and all design, manufacture, reproduction, use and sale rights regarding the same are expressly reserved. If it is submitted for a specific purpose and the recipient by accepting this drawing, assumes custody and control and agrees to take reasonable precautions, (a) that this drawing will not be copied and reproduced, in whole or in part, or its contents revealed in any manner, or to any person except to meet the purpose for which it was delivered and (b) that any special features peculiar to this design will not be incorporated in other projects without the expressed written permission of Tyco Electronics Corporation.



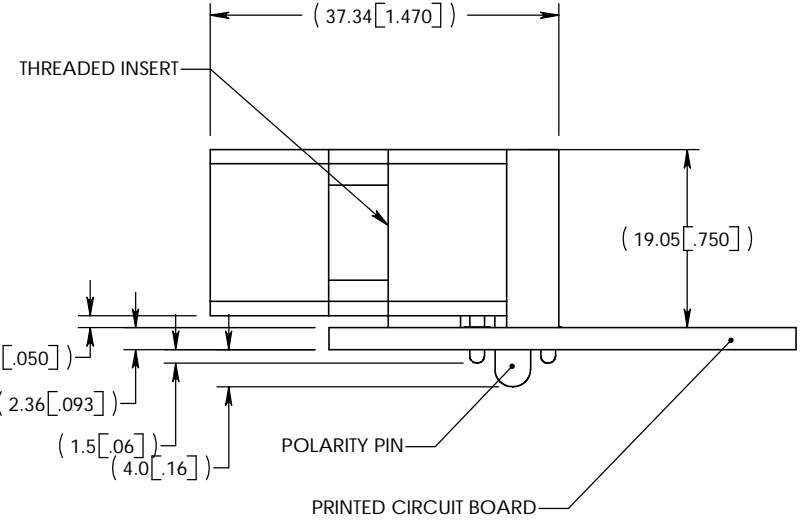
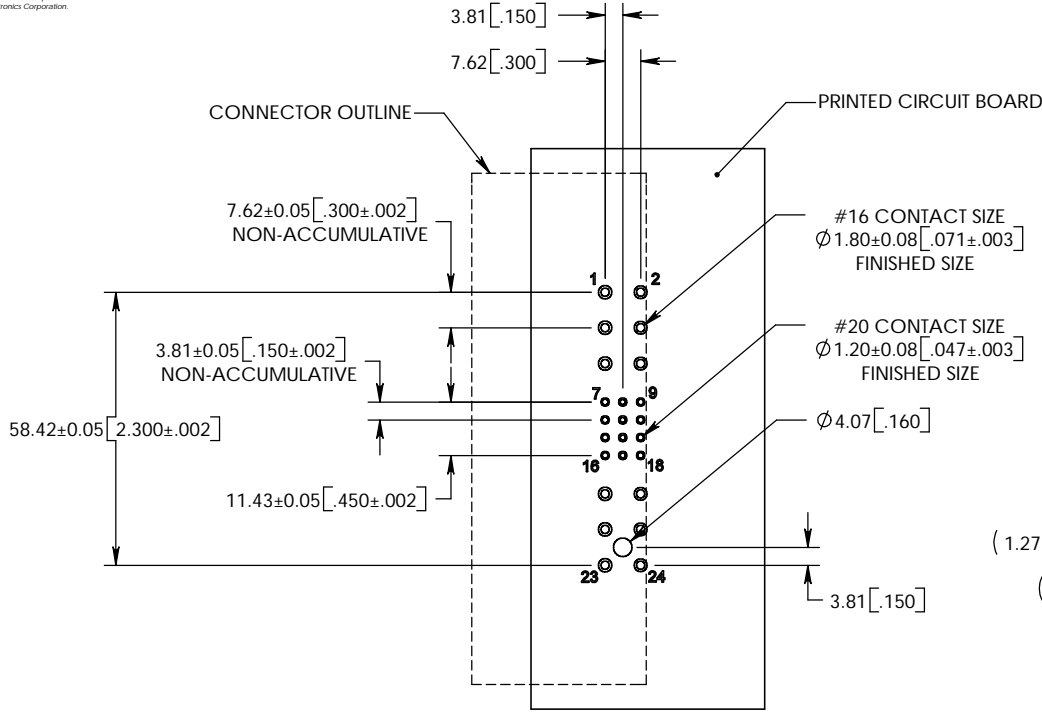
EC		REV	REVISIONS		DATE
			DESCRIPTION		
			SEE SHEET 1		



<p>THIRD ANGLE PROJECTION</p> <p>UNLESS OTHERWISE SPECIFIED DIMENSIONS ARE IN MILLIMETERS [INCH]</p> <p>TOLERANCES</p> <p>ANGLES ± 2.0°</p> <p>DECIMALS</p> <p>.XX ± 0.25 [010]</p> <p>.X ± 0.5 [02]</p>	<p>DRAWN</p> <p>R. Larsen/M. Alm</p>	<p>DATE</p> <p>10/04/01</p>	<p>Tyco Electronics Corporation Menlo Park, CA 94025</p>	<p>TITLE</p> <p>CONNECTOR, PIN, RIGHT ANGLE CUSTOM DRAWER PN 6651663-1</p>		
	<p>CHECKED</p>	<p>APPROVED</p>				<p>APPROVED</p> <p>D. CHAU</p> <p>12/06/05</p>
	<p>DCA APPROVED</p> <p>M. ALIM</p> <p>12/06/05</p>	<p>FILE NAME</p> <p>SC6651663A.SLDDRW</p>	<p>DWG SCALE: 1 = 1</p>	<p>SH 2 OF 3</p>		

This drawing involves proprietary design rights of Tyco Electronics Corporation, and all design, manufacture, reproduction, use and sale rights regarding the same are expressly reserved. If it is submitted for a specific purpose and the recipient by accepting this drawing, assumes custody and control and agrees to take reasonable precautions, (a) that this drawing will not be copied and reproduced, in whole or in part, or its contents revealed in any manner, or to any person except to meet the purpose for which it was delivered and (b) that any special features peculiar to this design will not be incorporated in other projects without the expressed written permission of Tyco Electronics Corporation.

EC		REV	REVISIONS		DATE
			DESCRIPTION		
			SEE SHEET 1		



SUGGESTED PCB LAYOUT & CONTACT HOLES VIEWED FROM MATING FACE

<p>THIRD ANGLE PROJECTION</p> <p>UNLESS OTHERWISE SPECIFIED DIMENSIONS ARE IN MILLIMETERS [INCH]</p> <p>TOLERANCES</p> <p>ANGLES ± 2.0°</p> <p>DECIMALS</p> <p>.XX ± 0.25 [010]</p> <p>.X ± 0.5 [02]</p>	<p>MM INCH OR MM [INCH]</p> <p>DRAWN R. Larsen/M. Alim</p> <p>CHECKED</p> <p>APPROVED</p> <p>APPROVED D. CHAU</p> <p>DCA APPROVED M. ALIM</p> <p>FILE NAME SC6651663A.SLDDRW</p>	<p>DATE 10/04/01</p> <p>12/06/05</p> <p>12/06/05</p>	<p> Tyco Electronics Corporation Menlo Park, CA 94025</p> <p></p> <p>TITLE CONNECTOR, PIN, RIGHT ANGLE CUSTOM DRAWER PN 6651663-1</p> <p>SIZE B</p> <p>DWG NUMBER C = 6651663</p>	<p>REV A</p>
	DWG SCALE: 1 = 1		SH 3 OF 3	