

NO: LS-072 **PRODUCT:** SLM Safety Limit Switch
DATE: March 2015 **TYPE:** Discontinuation Notice

SLM Limit Switches will be Discontinued November 2015

Effective Date: November 30, 2015

Note: Date is subject to change based on raw materials and components availability at the factory.

Cautions on Applying Replacement:

Omron Automation & Safety recommends that the SLM series safety interlock switches be replaced by the D4N or D4F series as a possible functional replacement product.



Affected Parts

Model Number	Part Number	Description	Recommended Replacement
SLM-1K	44511-0010	Miniature (roller parallel to front)	D4N or D4F Series Please refer to the D4N and D4F series datasheet or contact Omron Technical Support regarding replacement part numbers.
SLM-2K	44511-0020	Miniature (roller parallel to side)	

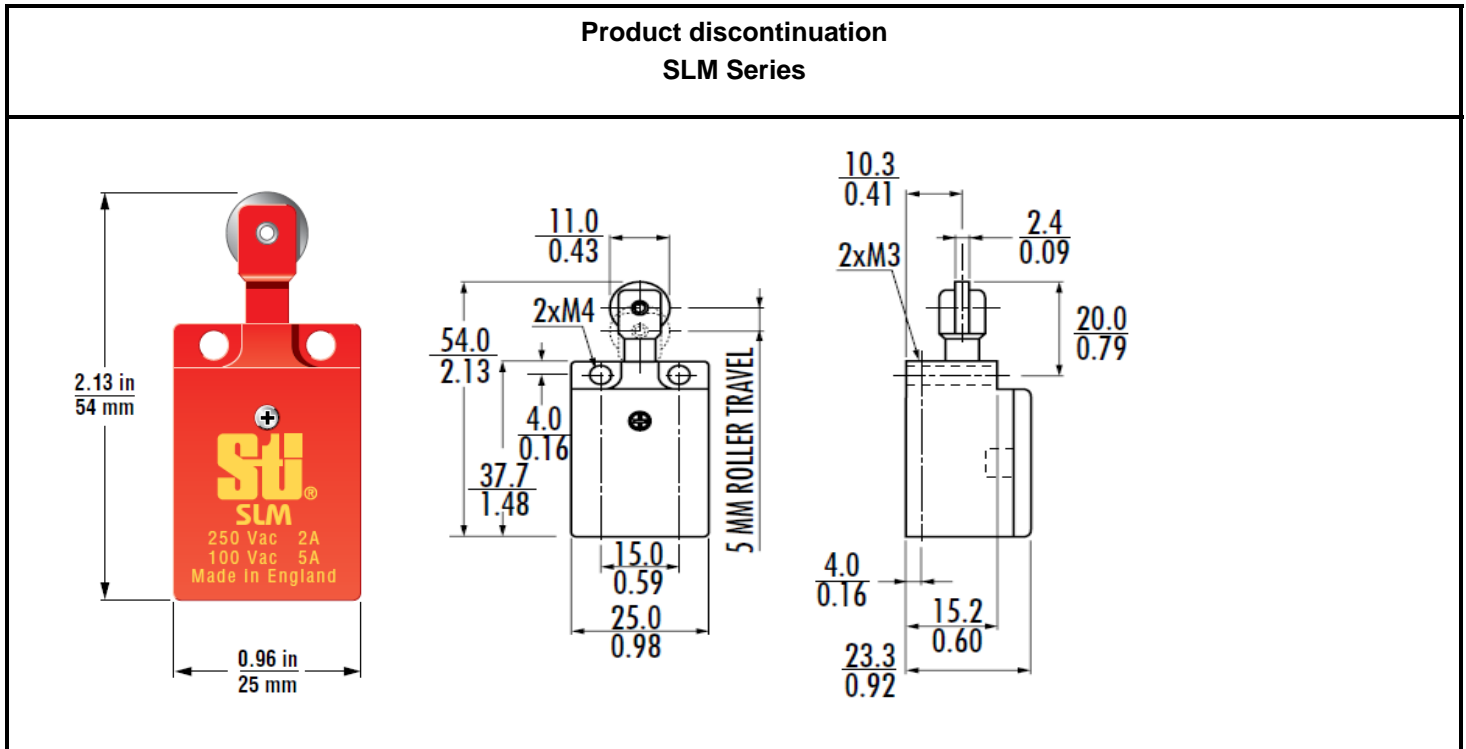
Reference Documentation

Description	Media	Publication number
SLM safety limit switch datasheet	PDF	C259I-E-01
D4N safety limit switch datasheet	PDF	C68I-E-01
D4F safety limit switch datasheet	PDF	C73I-E-01

See the following pages for Dimension differences.

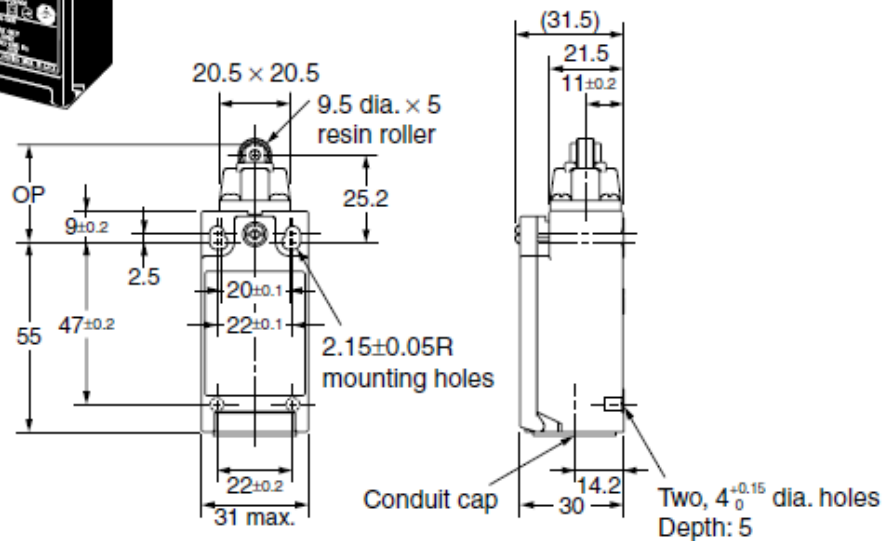
Detail of Differences

Dimensions



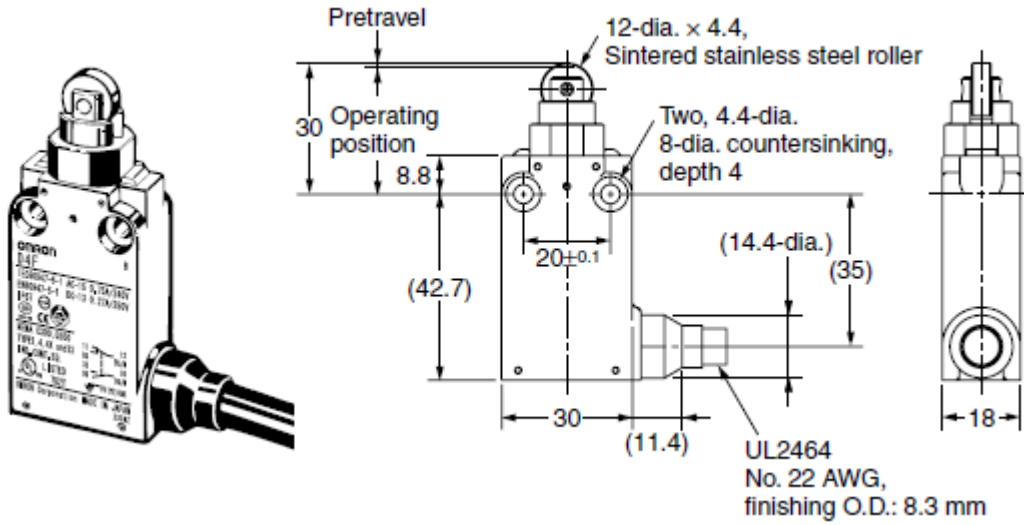
Recommended replacement
D4N Series

Roller Plunger Models: D4N-1□32, D4N-2□32, D4N-4□32, D4N-9□32



**Recommended replacement
D4F Series**

**Roller Plunger (Metal Roller) Models
D4F-□02-□R Side Cable**



D4F-□02-□D Bottom Cable

