

- 1
- 2
- 3
- 4
- 5
- 6
- 7
- 8
- 9
- 10
- 11
- 12
- 13
- 14
- 15
- 16
- 17
- 18

**MATERIAL**

Glass-fibre reinforced polyamide based (PA) technopolymer with security anti-intrusion-profiled slot, grey-black colour, matte finish.

**BUTTON**

Acetal resin based (POM) technopolymer push button with cylindrical part in red colour.

**CAPS**

Technopolymer in Ergostyle colours, matte finish; supplied with the handle, press-fit assembly, removable by a screwdriver.

Available also as accessories sold separately (see table ECA.).

Code	Description	Caps for
29831-*	ECA.B1-*	EBR.150

\* Complete with colour index (C1, ..., C6).

**STANDARD EXECUTION**

Pass-through assembly holes for cylindrical head screws with hexagon socket.

**ANTI-INTRUSION PROFILED SECURITY KEY (TO BE ORDERED SEPARATELY)**

**CSN (code 6951):** acetal resin based (POM) technopolymer fold-away key, red colour, stainless steel insert.

**FUNCTIONING OF THE SAFETY DEVICE**

Doors with EBR-CH handle can be opened only by authorised people, by inserting the anti-intrusion profiled key into its proper slot.

Closing: press the button so that the red cylindrical part of the button completely enters the handle until a click is heard (key must not be inserted during closing).

When the handle is closed, the key must not be in its slot.

Opening: insert the key (without turning it) and push to make the internal device snap.

Force required to release: approx. 50N.

EBR-CH handle can be assembled with EBR neutral handle.

**TECHNICAL DATA**

Tensile stress and impact strength: the values F1, F2, L1 and L2 indicated in the table were obtained during breaking tests carried out with the appropriate dynamometric equipment under the test conditions shown in the figure with ambient temperature.

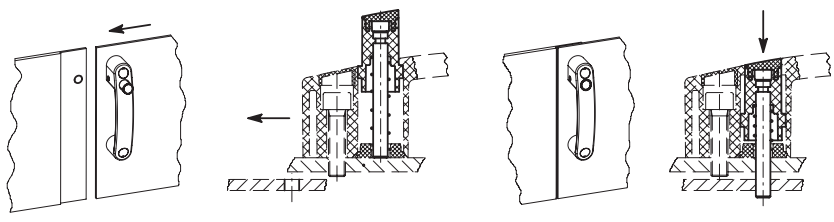
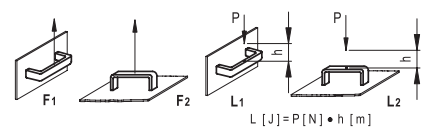
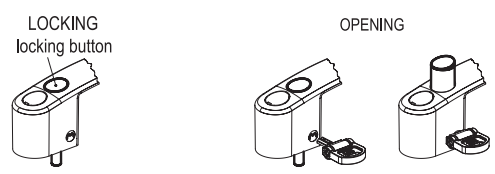
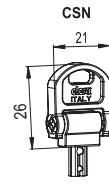
**SPECIAL EXECUTIONS ON REQUEST**

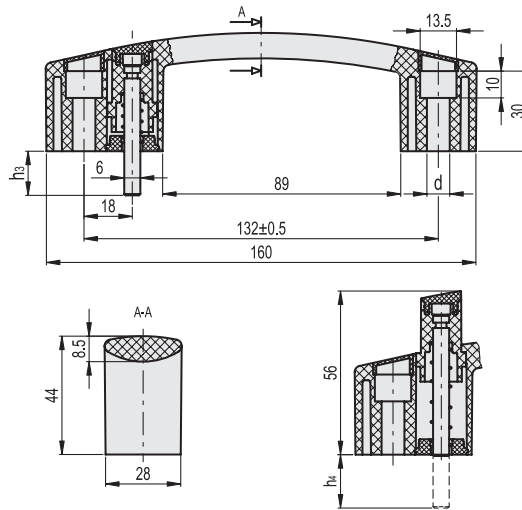
- Captive key device with ball and spring in AISI 316 stainless steel. A ball and spring retention system ensures that the key cannot be lost if it remains inserted in its slot when the door is opened.
- Reduced safety key insertion force (about 30N).

To order this version it is necessary to add the suffix -F30 to the code and the description after selecting the desired version.



ERGOSTYLE® ELESA Original design





\* Complete with colour index, example: 260521-C2 EBR.150-CH-6-16-C2

C1
C2
C3
C4
C5
C6  
 RAL7021 RAL2004 RAL7035 RAL1021 RAL5024 RAL3000

EBR-CH

METRIC

Code	Description	d	h3	h4	F1 [N]	F2 [N]	L1 [J]	L2 [J]	⚖
260521-*	EBR.150-CH-6-16-*	6.5	16	-	2800	2900	35	8	86
260523-*	EBR.150-CH-6-52-*	6.5	52	36	2800	2900	35	8	116
260525-*	EBR.150-CH-6-60-*	6.5	60	44	2800	2900	35	8	120
260527-*	EBR.150-CH-6-65-*	6.5	65	49	2800	2900	35	8	124
260529-*	EBR.150-CH-6-81-*	6.5	81	65	2800	2900	35	8	132
260531-*	EBR.150-CH-8-16-*	8.5	16	-	2800	2900	35	8	90
260533-*	EBR.150-CH-8-52-*	8.5	52	36	2800	2900	35	8	120
260535-*	EBR.150-CH-8-60-*	8.5	60	44	2800	2900	35	8	126
260537-*	EBR.150-CH-8-65-*	8.5	65	49	2800	2900	35	8	132
260539-*	EBR.150-CH-8-81-*	8.5	81	65	2800	2900	35	8	140

