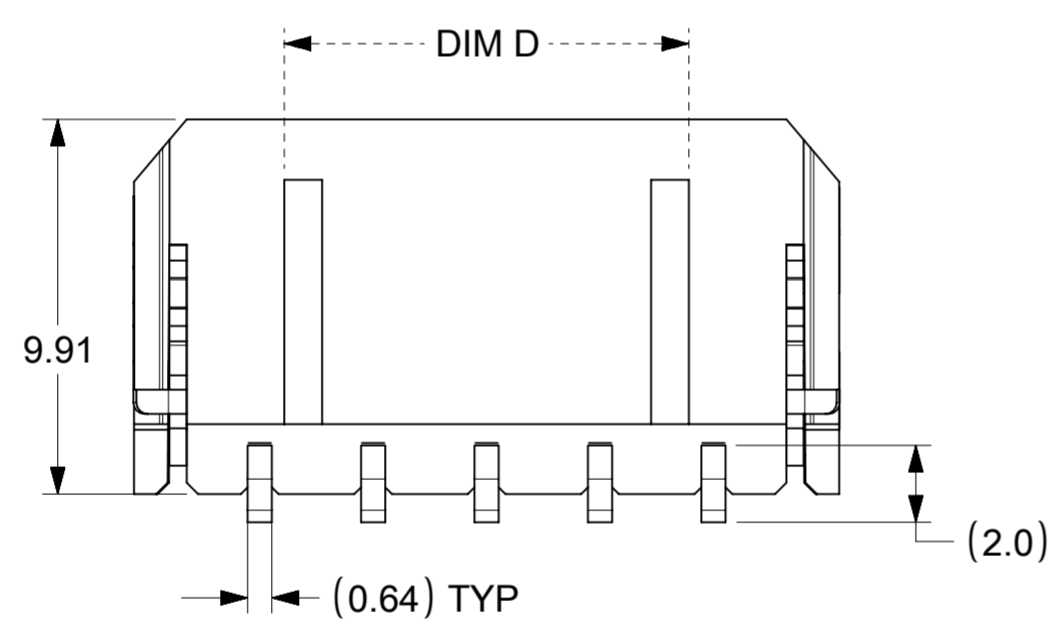
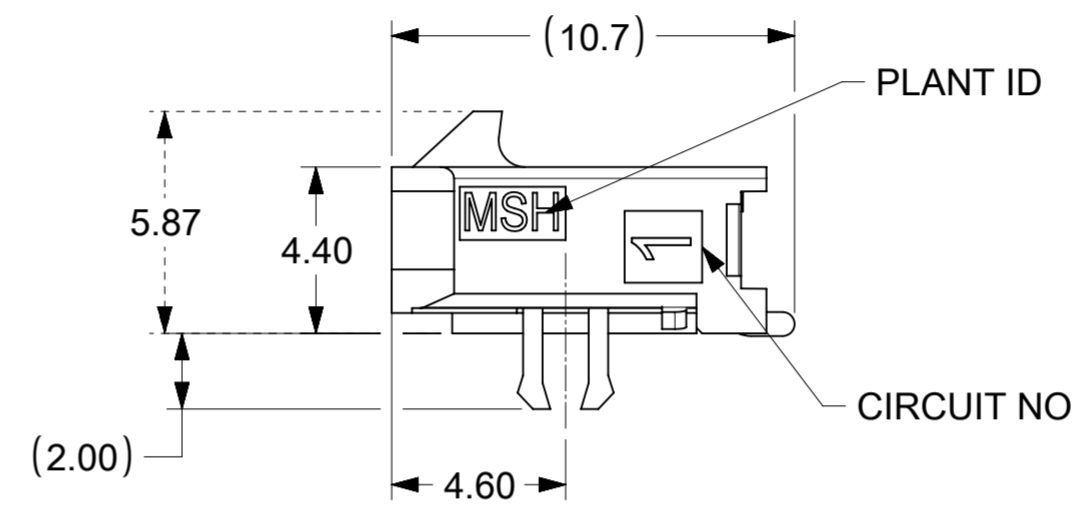
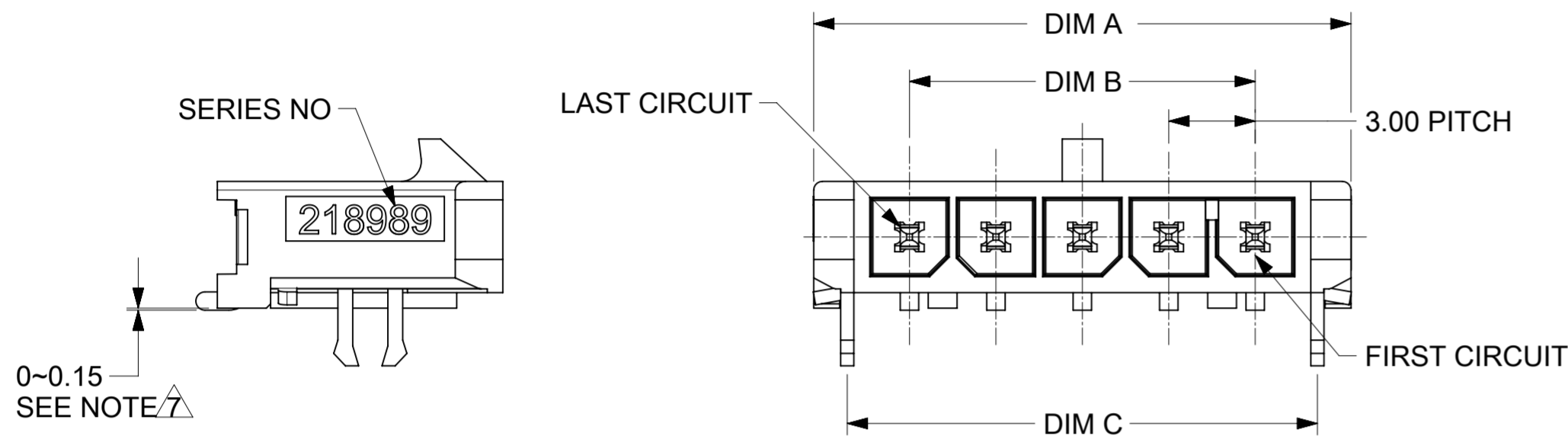


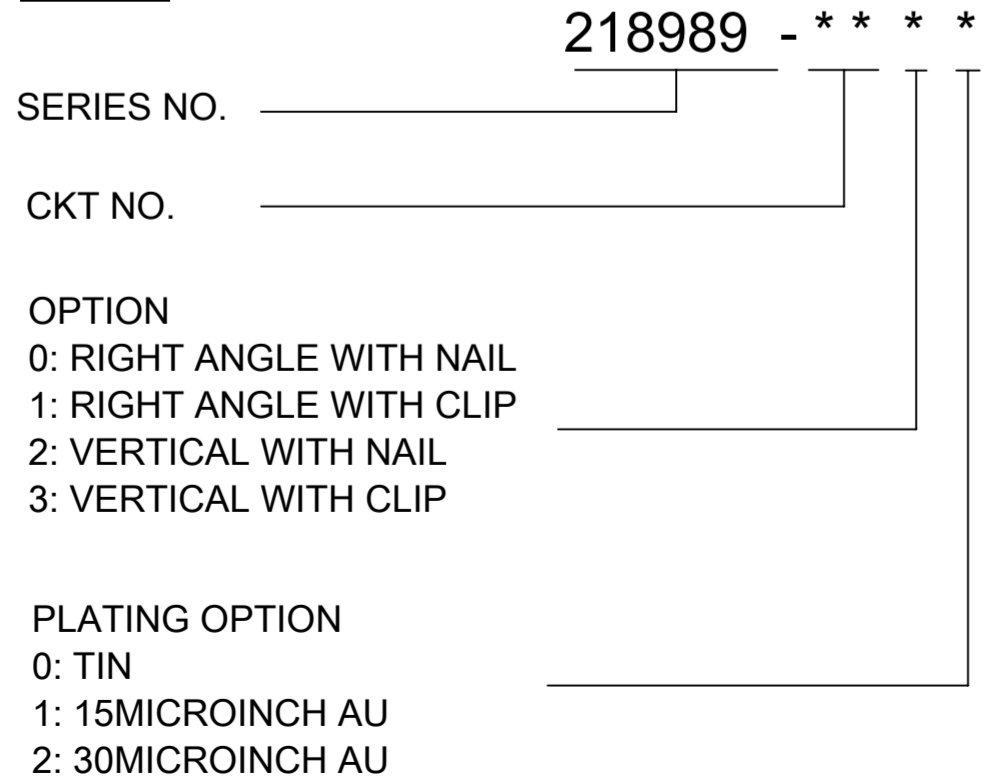
FINISH TYPE	"0" TIN	"1" 15MICROINCH GOLD	"2" 30MICROINCH GOLD				
CKT	HDR ASSY PN	HDR ASSY PN	HDR ASSY PN	A	B	C	D
2	2189890210	2189890211	2189890212	9.65	3.00	7.30	2.95
3	2189890310	2189890311	2189890312	12.65	6.00	10.30	2.95
4	2189890410	2189890411	2189890412	15.65	9.00	13.30	7.70
5	2189890510	2189890511	2189890512	18.65	12.00	16.30	10.70



NOTES:

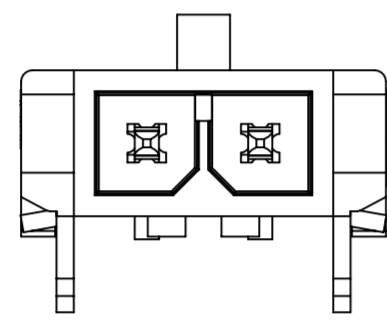
- HOSING MATERIAL: GLASS FILLED LIQUID CRYSTAL POLYMER, UL 94V-0, COLOR: BLACK
TERMINAL MATERIAL: HIGH COPPER ALLOY
- FINISH:
OPTION "0": REFLOW MATTE TIN OVER NICKEL
OPTION "1": SELECT 15MICROINCH GOLD AND SELECT MATTE TIN OVER NICKEL.
OPTION "2": SELECT 30MICROINCH GOLD AND SELECT MATTE TIN OVER NICKEL.
- PRODUCT SPECIFICATION : 2064600000-PS
- PRODUCT TEST SUMMARY: 2064600000-TS
- T&R PACK : 2189890001-PK
- MATE WITH RECEPTACLE 215759
- THE COPLANARITY DIMENSION IS ESTABLISHED BY PLACING THE ASSEMBLY ON A FLAT SURFACE. THE DISTANCE FROM THAT SURFACE TO THE BOTTOM OF ANY TERMINAL OR NAIL MUST NOT EXCEED 0.15
- THIS PART CONFORMS TO CLASS 'B' REQUIREMENTS OF COSMETIC SPECIFICATION PS-45499-002.
- METAL TAB MAY BE FLUSH WITH PCB. NO EXPOSED TRACES OR VIAS ALLOWED NEAR THESE AREAS.

LEGEND

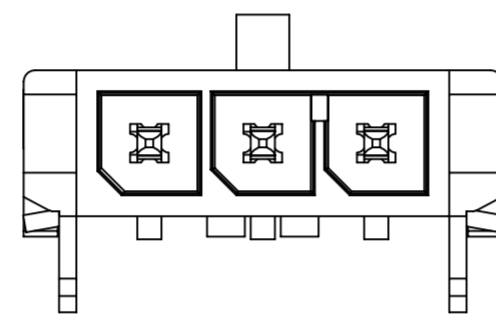


THIS DRAWING CONTAINS INFORMATION THAT IS PROPRIETARY TO MOLEX ELECTRONIC TECHNOLOGIES, LLC AND SHOULD NOT BE USED WITHOUT WRITTEN PERMISSION																	
DIMENSION UNITS		SCALE		CURRENT REV DESC:						molex							
mm		NTS															
GENERAL TOLERANCES (UNLESS SPECIFIED)				EC NO: 732047 DRWN: ZIXUAQ 2022/12/14 CHK'D: XQZHANG 2022/12/14 APPR: XQZHANG 2022/12/14 INITIAL REVISION: DRWN: ZIXUAQ 2022/09/08 APPR: XQZHANG 2022/10/17						MICRO-FIT + SINGLE ROW RIGHT ANGLE SMT HEADER WITH PRESS CLIP							
ANGULAR TOL		± 3.0°								PRODUCT CUSTOMER DRAWING							
4 PLACES		±								DOCUMENT NUMBER		DOC TYPE		DOC PART		REVISION	
3 PLACES		±								2189890010-SD		PSD		000		A1	
2 PLACES		± 0.25								MATERIAL NUMBER		CUSTOMER		SHEET NUMBER			
1 PLACE		± 0.36		SEE TABLE		GENERAL MARKET		1 OF 2									
0 PLACES		±															
DRAFT WHERE APPLICABLE MUST REMAIN WITHIN DIMENSIONS				THIRD ANGLE PROJECTION		DRAWING		SERIES									
				A2-SIZE		218989											

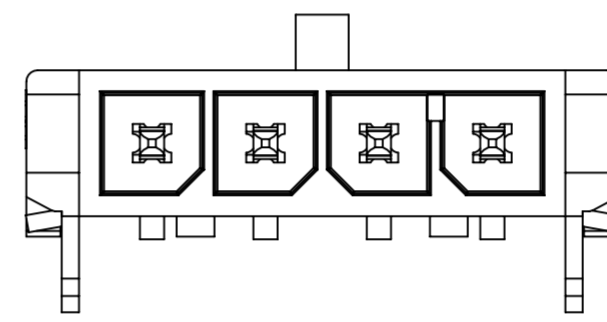
DOCUMENT STATUS	RELEASE DATE



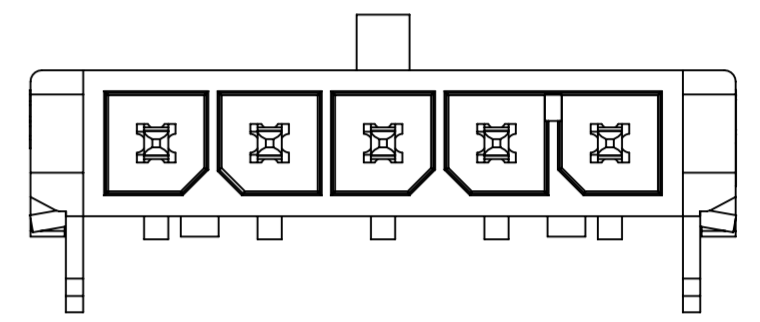
2CKT



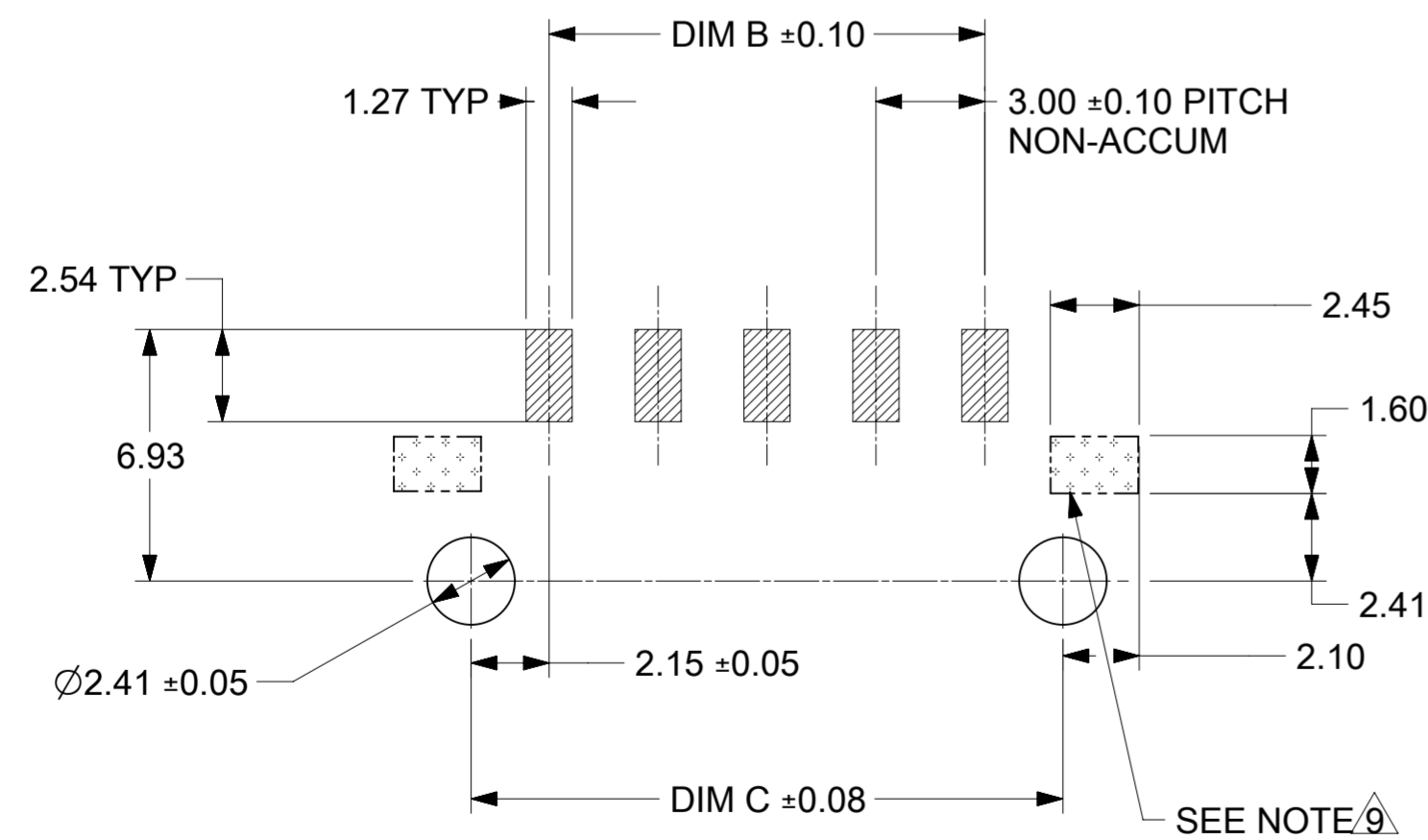
4CKT



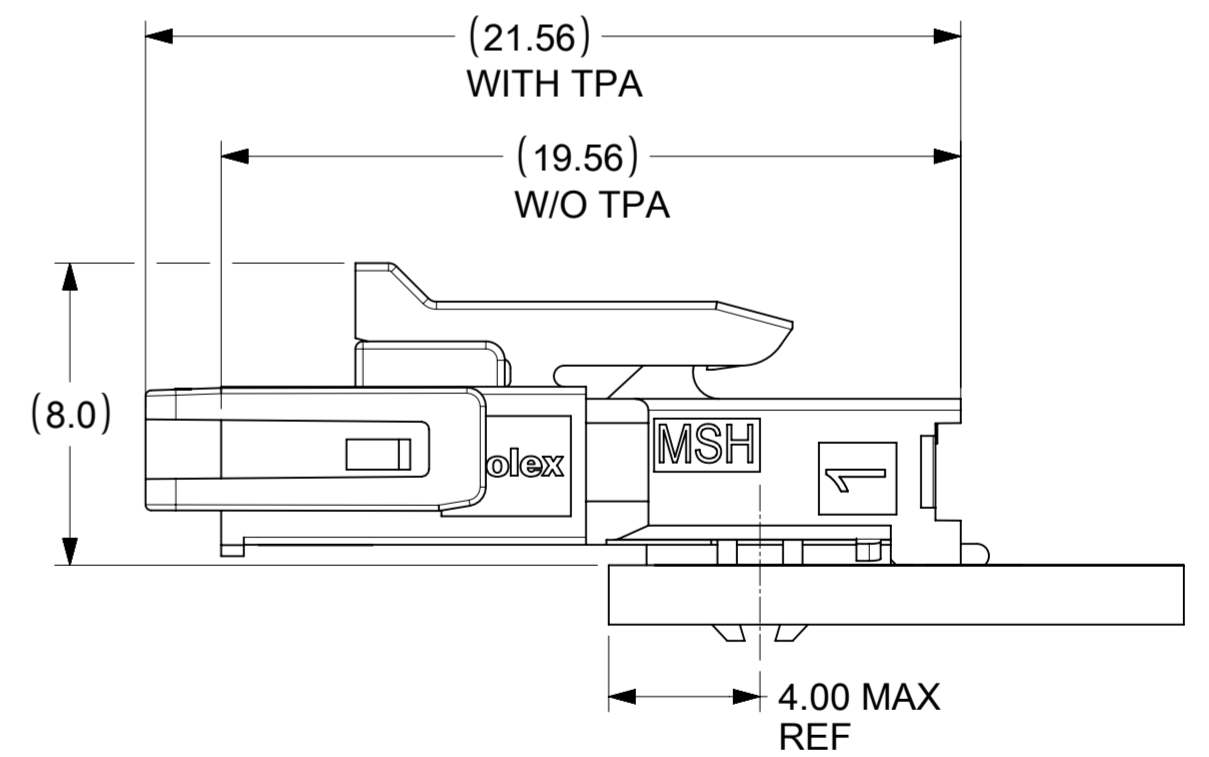
6CKT



8CKT



PCB LAYOUT: COMPONENT SIDE
RECOMMEND PCB THICKNESS: 1.60±0.05MM



THIS DRAWING CONTAINS INFORMATION THAT IS PROPRIETARY TO MOLEX ELECTRONIC TECHNOLOGIES, LLC AND SHOULD NOT BE USED WITHOUT WRITTEN PERMISSION									
DIMENSION UNITS	SCALE	CURRENT REV DESC:							
mm	NTS								
GENERAL TOLERANCES (UNLESS SPECIFIED)					MICRO-FIT + SINGLE ROW RIGHT ANGLE SMT HEADER WITH PRESS CLIP				
ANGULAR TOL ± 3.0°									
4 PLACES	±	EC NO: 732047			PRODUCT CUSTOMER DRAWING				
3 PLACES	±	DRWN: ZIXUAQ	2022/12/14						
2 PLACES	±	CHK'D: XQZHANG	2022/12/14		DOCUMENT NUMBER: 2189890010-SD DOC TYPE: PSD DOC PART: 000 REVISION: A1				
1 PLACE	±	APPR: XQZHANG	2022/12/14						
0 PLACES	±	INITIAL REVISION:			MATERIAL NUMBER: SEE TABLE CUSTOMER: GENERAL MARKET SHEET NUMBER: 2 OF 2				
		DRWN: ZIXUAQ	2022/09/08						
DRAFT WHERE APPLICABLE MUST REMAIN WITHIN DIMENSIONS		THIRD ANGLE PROJECTION	DRAWING	SERIES					
			A2-SIZE	218989					

DOCUMENT STATUS	RELEASE DATE
-----------------	--------------