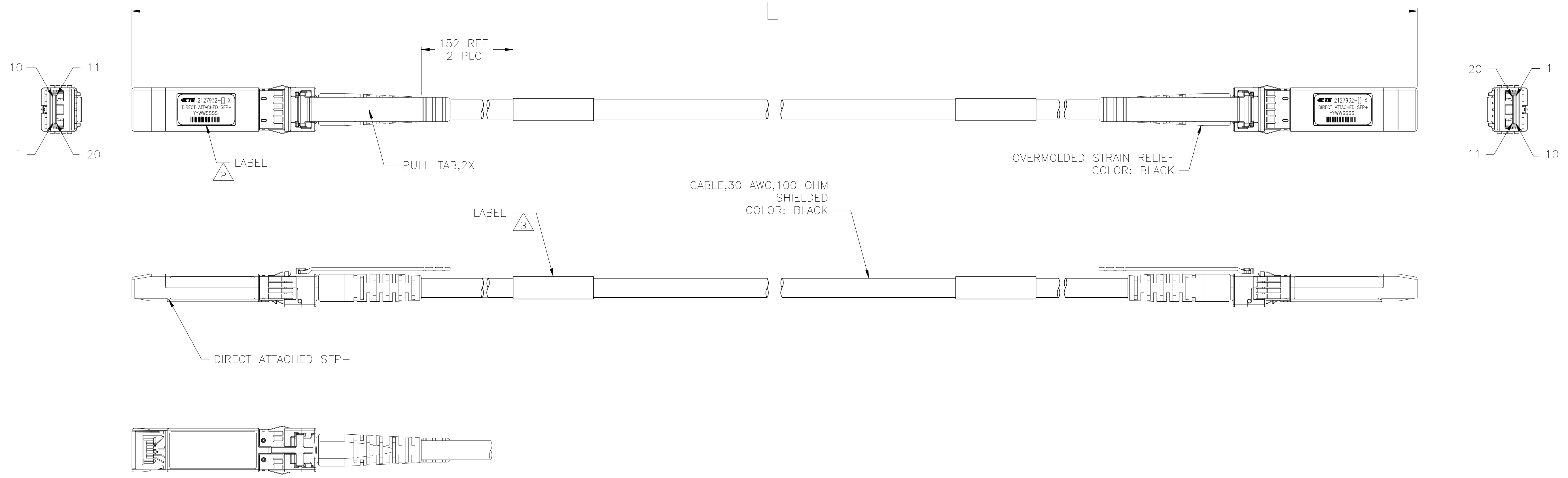
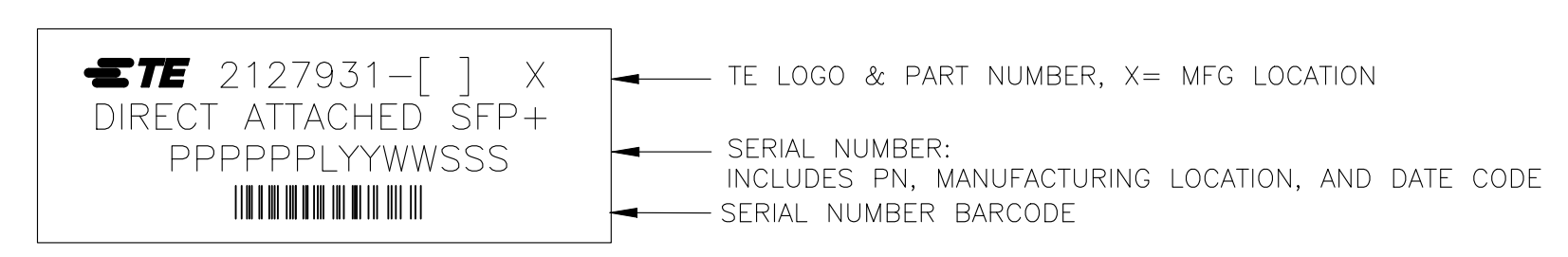


REVISIONS					
P	LTR	DESCRIPTION	DATE	DRN	APVD
J1		REVISED AS PER ECN-22-165346	19JUL2022	KK	AK

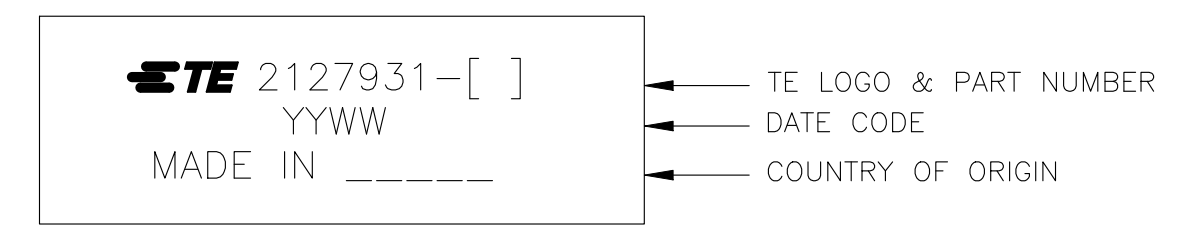


1. CHARACTERISTIC IMPEDANCE: 100±10 OHMS (MEASURED DIFFERENTIALLY).

△2 LABEL INFORMATION:



△3 LABEL INFORMATION:



4. SEE SHEET 2 FOR WIRING SCHEMATIC.

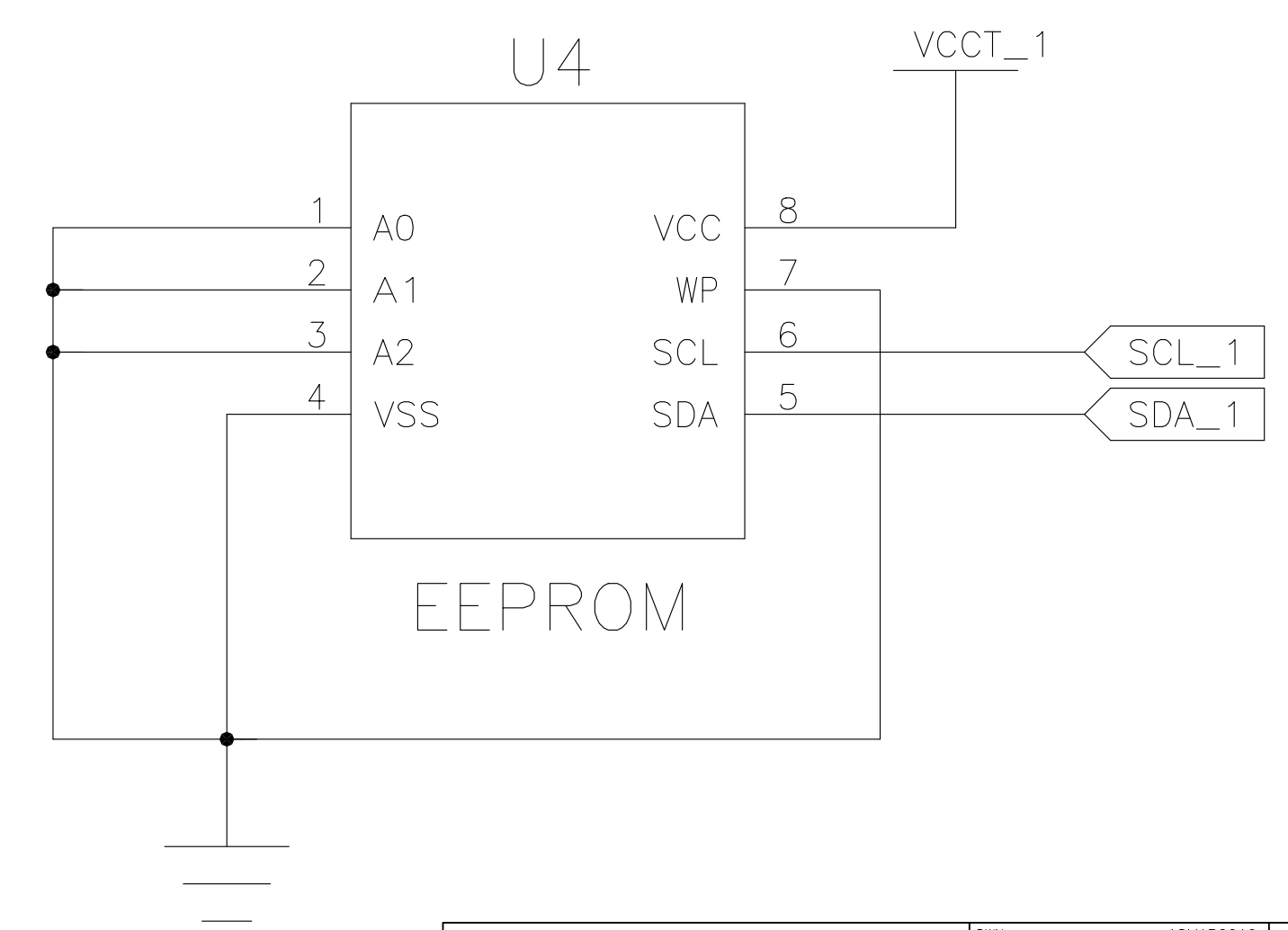
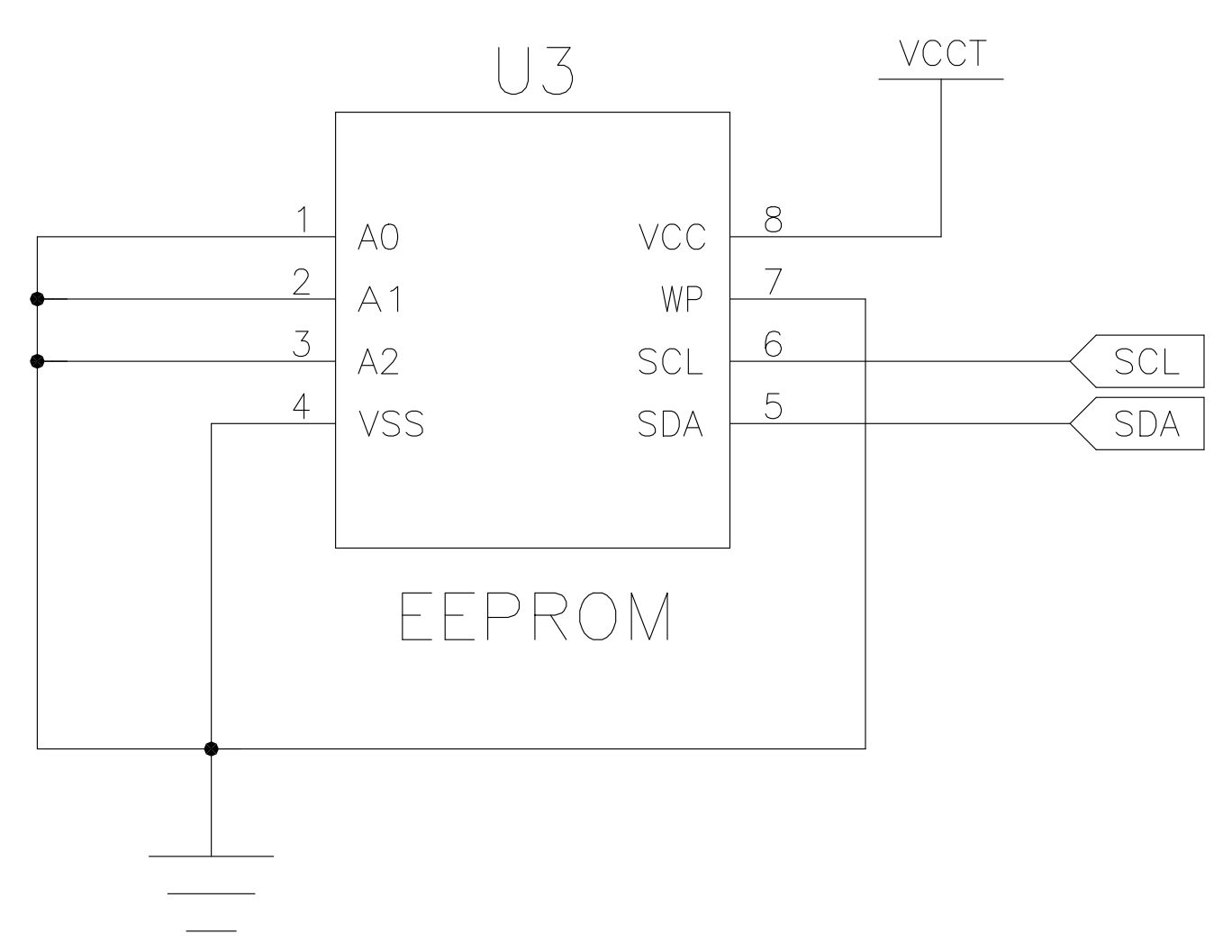
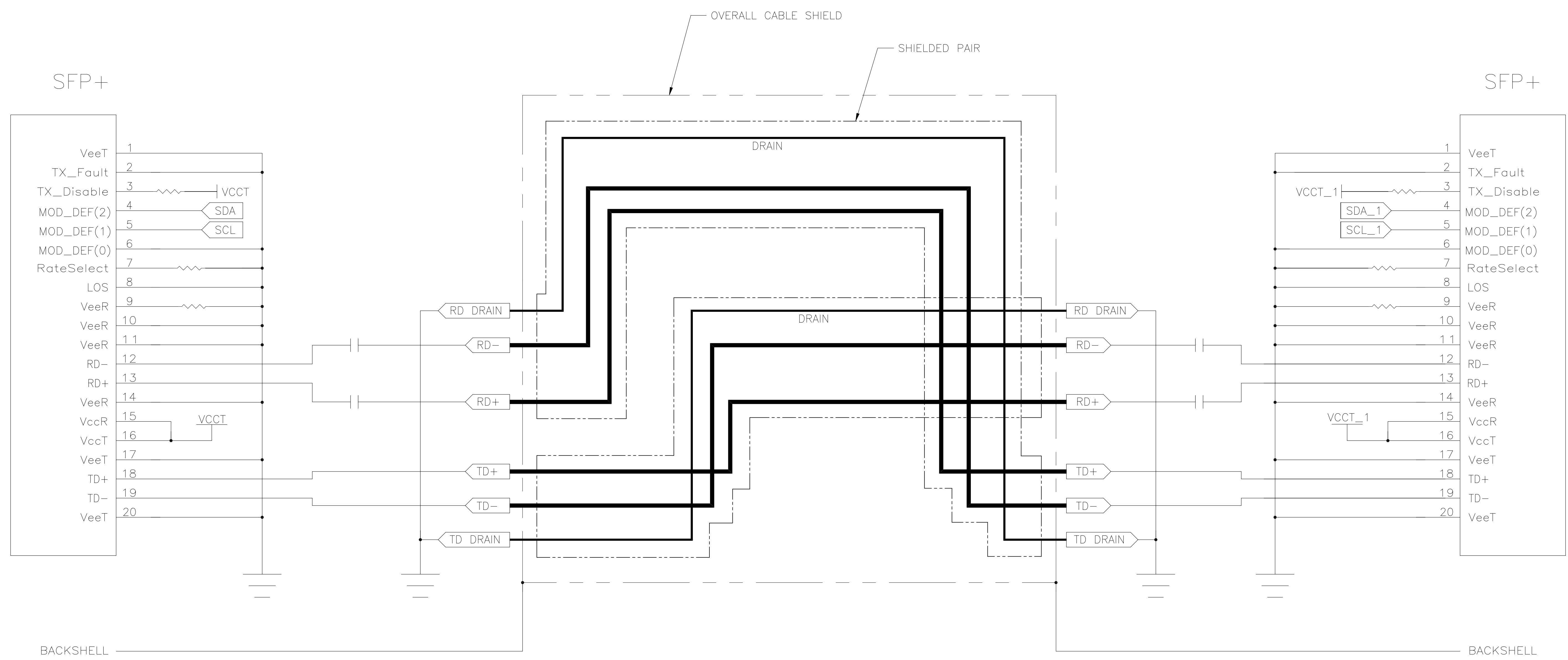
5. ROHS COMPLIANCE: PRODUCT AND PROCESSING MEETS REQUIREMENTS OF TE SPECIFICATION TEC-138-702.

△6 NO LABEL REQUIRED ON CABLE FOR TE PN:1-2127931-2 AND 1-2127931-4.

2.5 ^{+0.08} ₋₀ METERS	1-2127931-5	SUPERSEDED BY 1-2127931-5
2.5 ^{+0.08} ₋₀ METERS	2127931-7	
1.5 ^{+0.05} ₋₀ METERS	2127931-6	
3 ^{+0.08} ₋₀ METERS	1-2127931-4	△6
1 ^{+0.05} ₋₀ METERS	1-2127931-2	△6
0.305 ^{+0.05} ₋₀ METERS	2127931-5	
3 ^{+0.08} ₋₀ METERS	2127931-4	
2 ^{+0.08} ₋₀ METERS	2127931-3	
1 ^{+0.05} ₋₀ METERS	2127931-2	
0.5 ^{+0.05} ₋₀ METERS	2127931-1	
L	PART NO	

THIS DRAWING IS A CONTROLLED DOCUMENT.		DIN T.SMITH 18MAR2010			
DIMENSIONS: mm		CHK C.ADAMS 18MAR2010			
TOLERANCES UNLESS OTHERWISE SPECIFIED:		APVD G.ADAMS 18MAR2010		NAME	
0. PLC ± -	1. PLC ± -	PRODUCT SPEC		CABLE ASSY,30 AWG,SFP+ TO SFP+ NI_PLATED	
2. PLC ± -	3. PLC ± -	APPLICATION SPEC		SIZE	
4. PLC ± -	ANGLES ± -	WEIGHT 0		CAGE CODE DRAWING NO	
MATERIAL		FINISH		A1 00779 C=2127931	
		CUSTOMER DRAWING		SCALE 1:1 SHEET 1 OF 2 REV J1	

REVISIONS				
REV	DATE	DESCRIPTION	BY	APP'D
-	-	SEE SHEET 1	-	-



THIS DRAWING IS A CONTROLLED DOCUMENT.		DIN T.SMITH 18MAR2010	TE Connectivity
DIMENSIONS: mm		CHK C.ADAMS 18MAR2010	
TOLERANCES UNLESS OTHERWISE SPECIFIED:		APP'D C.ADAMS 18MAR2010	NAME CABLE ASSY,30 AWG,SFP+ TO SFP+ NI_PLATED
0. PLC	±	PRODUCT SPEC	APPLICATION SPEC
1. PLC	±		
2. PLC	±		
3. PLC	±		
4. PLC	±		
ANGLES	±		
MATERIAL		WEIGHT	RESTRICTED TO
		A1 00779	SCALE 1:1 SHEET 2 OF 2 REV J1
CUSTOMER DRAWING		DRAWING NO 2127931	