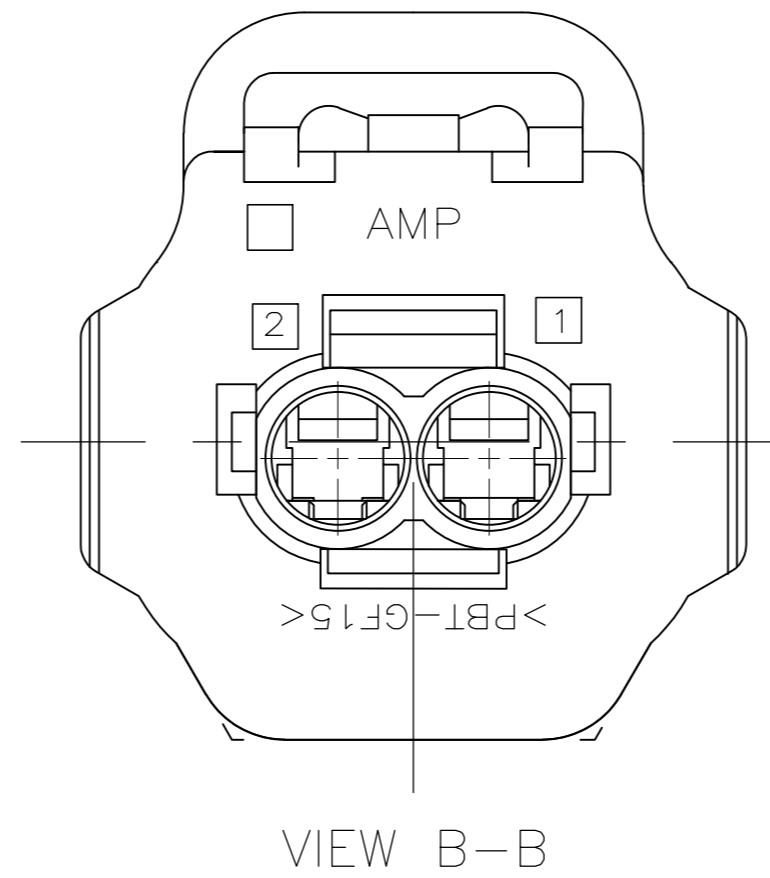
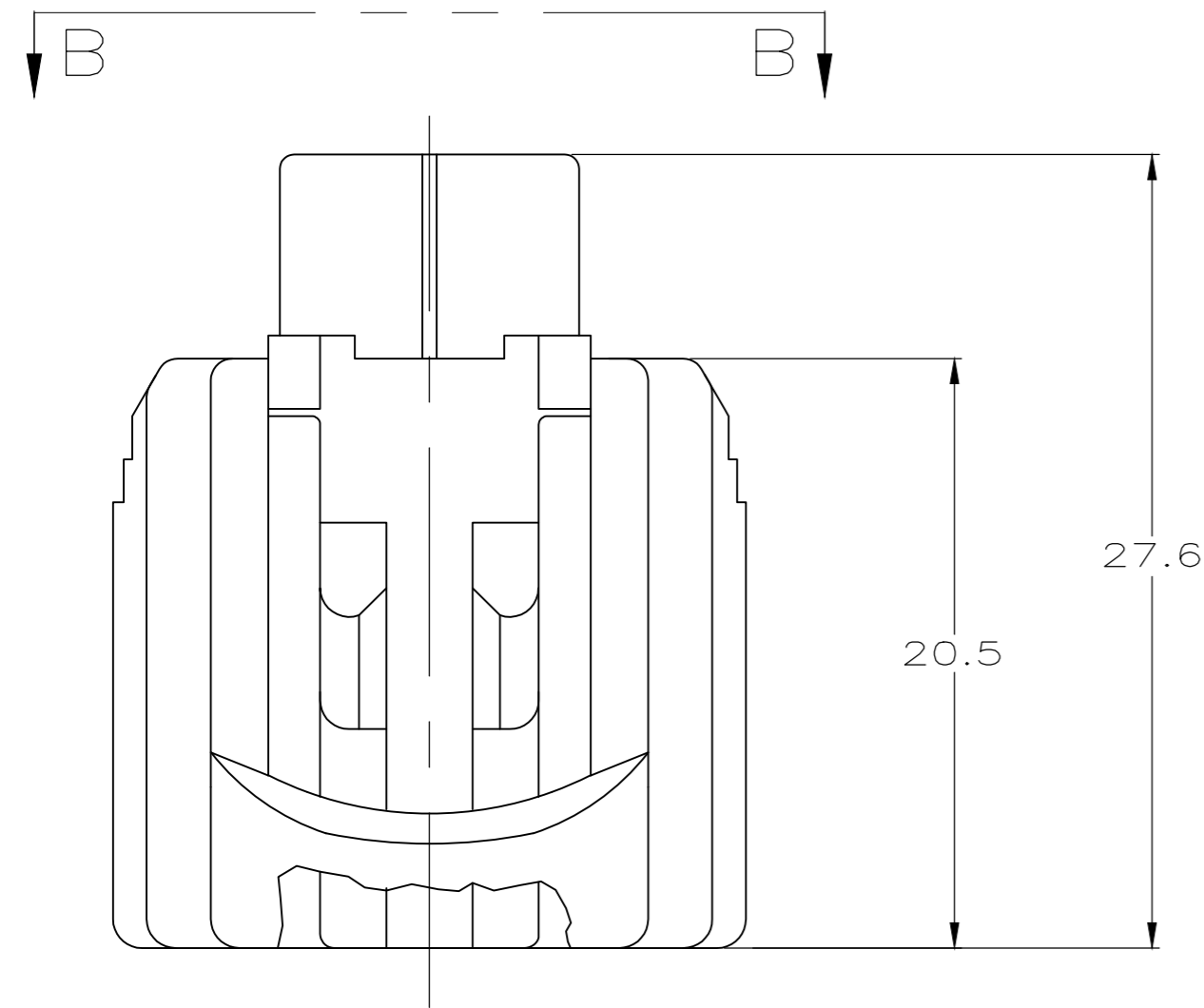


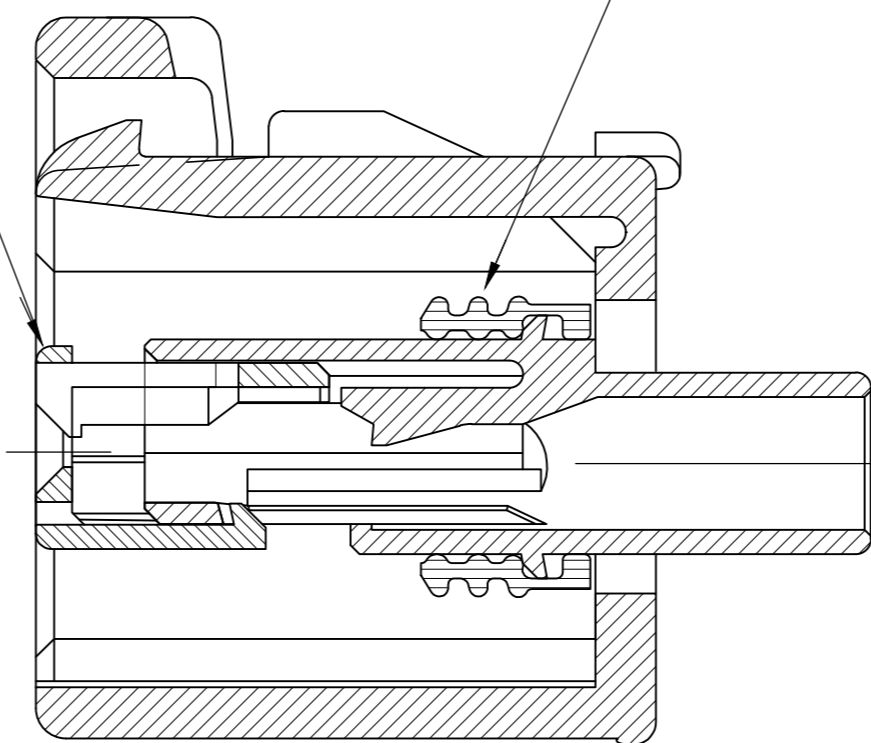
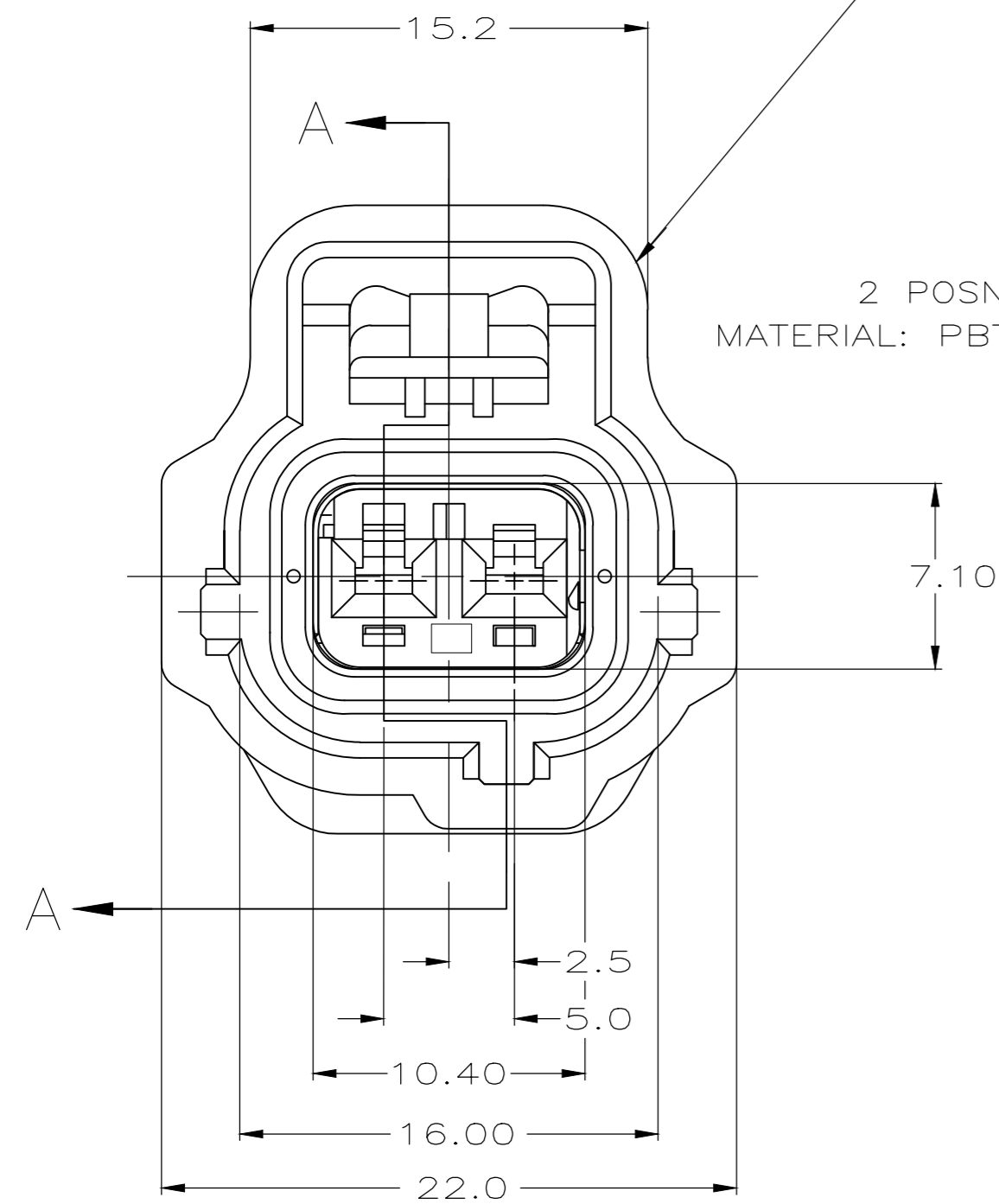
REVISIONS					
P	LTR	DESCRIPTION	DATE	DWN	APVD
0		RELEASED, WAS 92-4072-2313-8	-	-	-
A		REV PER ECN 0720-0290-94	10-21-94	KDL	JPK
		ADDED -2, 94-4072-026			
B		REV PER ECN 0720-0446-94	12/16/94	KW	JK
C		ADD -3 PER ECN 0720-0640-95	05/25/95	KW	JK
D		REV PER ECN OKS0-0003-96	08/13/96	KW	JK
E		REV PER EC# 0K40-0140-00	7-10-00	PC	GI
E1		REVISED PER ECO-20-012742	15SEP20	AP	HDC



2 POSN PLUG
MATERIAL: PBT, 15% GLASS FILLED

SEAL RING
MATERIAL: SILICONE RUBBER

2 POSN. DOUBLE LOCK PLATE
MATERIAL: PBT, 15% GLASS FILLED



SECTION A-A

KEYING TYPE H

OBSOLETE	BROWN	184014-3
	GREEN	184014-2
	BLACK	184014-1
	PLUG COLOR	PART NO

THIS DRAWING IS A CONTROLLED DOCUMENT.		DWN	3/25/94	TE TE Connectivity
		CHK	4/19/94	
		APVD	-	
		PRODUCT SPEC	-	
DIMENSIONS:				NAME
mm				1 X 2 PLG ASY KEY H-C3
TOLERANCES UNLESS OTHERWISE SPECIFIED:				SIZE
0 PLC ± -				A2
1 PLC ± 0.30				CAGE CODE
2 PLC ± 0.15				00779
3 PLC ± -				DRAWING NO
4 PLC ± -				C=184014
ANGLES ± -				RESTRICTED TO
FINISH				-
MATERIAL				WEIGHT
-				0.000000
				CUSTOMER DRAWING
				SCALE
				4:1
				SHEET
				1 of 1
				REV
				E1