

| MATERIAL NUMBER | OLD PART NUMBER | FINISHED LENGTH |
|-----------------|-----------------|-----------------|
| 1300250048 | DN11A-M003 | 0.3M |
| 1300250051 | DN11A-M005 | 0.5M |
| 1300250054 | DN11A-M010 | 1.0M |
| 1300250061 | DN11A-M020 | 2.0M |
| 1300250067 | DN11A-M030 | 3.0M |

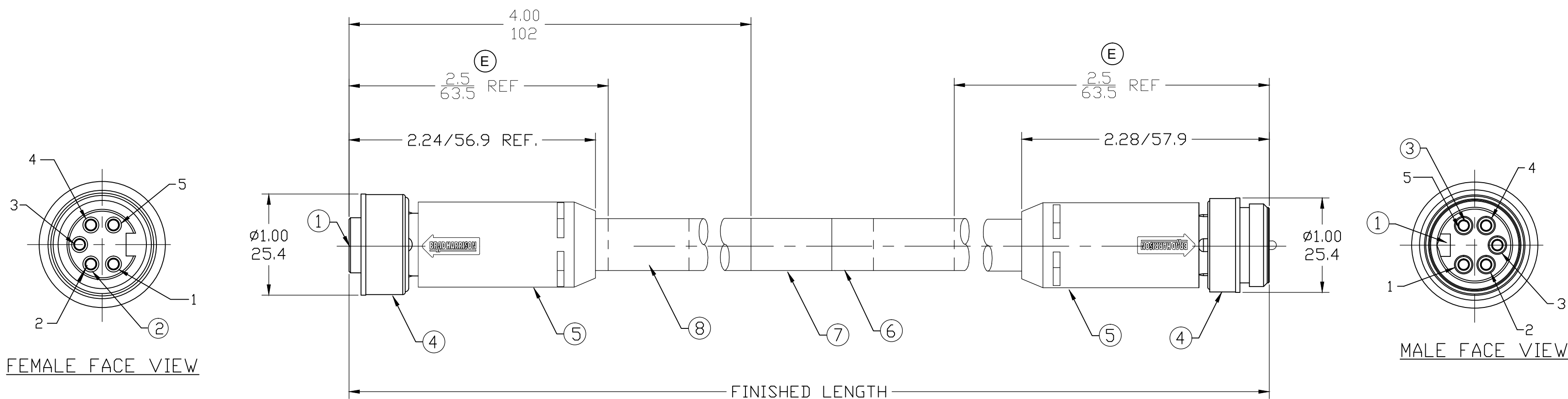
PART NUMBER LEGEND

DN11A-M003H

FINISHED LENGTH: M005= 0.5 METER
M010= 1 METER
M100= 10 METER

ID CARRIER
H - SEE NOTE 9
BLANK - NO ID CARRIER

| CABLE LENGTH TOLERANCES | |
|--------------------------|-------------------------|
| >.3M [1FT]: | +19mm-0 [+ .75in-0] |
| .3 - .9M [1 - 3FT]: | +44.5mm-0 [+1.75in-0] |
| .9 - 1.8M [3 - 6FT]: | +55.6mm-0 [+2.19in-0] |
| 1.8 - 3.7M [6 - 12FT]: | +88.9mm-0 [+3.50in-0] |
| 3.7 - 7.3M [12 - 24FT]: | +165.1mm-0 [+6.50in-0] |
| 7.3-14.6M [24 - 48FT]: | +317.5mm-0 [+12.50in-0] |
| 14.6 - 30.5M [48-100FT]: | +622.3mm-0 [+24.50in-0] |
| OVER 30M [100FT] | +2% OF FINISHED LENGTH |



SCHEMATIC

- 1 -> 1 - DRAIN
- 2 -> 2 - V+
- 3 -> 3 - V-
- 4 -> 4 - CAN_H
- 5 -> 5 - CAN_L

NOTES:

- MATERIAL: AS NOTED
- FINISH: AS NOTED
- ELECTRICAL:
VOLTAGE RATING PER IEC 60664: 300V
VOLTAGE RATING PER UL: 300V
CURRENT: 8A
- TEMP RATING: -25° TO +80°C
- PROTECTION: IP67 (WHEN MATED)
- COUPLING THREAD: 7/8-16
- AGENCY:
UL RECOGNIZED, FILE: E152210
CSA CERTIFICATION FILE: LR6837
- ALL DIMS ARE FOR REFERENCE UNLESS NOTED OTHERWISE
- PART NUMBERS WITH "H" HAVE TWO ID MARKERS ONE ON EACH END

| ITEM | COMPONENT | MATERIAL | FINISH |
|------|---|---------------|------------------|
| 1 | INSERTS | PVC | GRAY |
| 2 | CONTACT SOCKET | COPPER ALLOY | GOLD OVER NICKEL |
| 3 | CONTACT PIN | COPPER ALLOY | GOLD OVER NICKEL |
| 4 | COUPLING NUTS | ZINC DIE CAST | BLACK E-COATED |
| 5 | OVERMOLDS | PVC | GRAY |
| 6 | CABLE-DEVICENET THICK CABLE 2/15 & 2/18 SHIELD PAIR | PVC | GRAY |
| 7 | LABEL | VINYL | BLACK/YELLOW |
| 8 | ID CARRIER | PVC | CLEAR |

| | | | | | | |
|---|----------------------------|---|--|--|-------------------|------------------------|
| ADD ID MARKERS EC NO: IFC2018-0458 DRWN: MZIELINS 2018/04/10 CHKD: --- APPR: BWOODMAN | QUALITY SYMBOL | GENERAL TOLERANCES (UNLESS SPECIFIED) | DIMENSION STYLE INCH/MM | SCALE -- | DESIGN UNITS INCH | THIRD ANGLE PROJECTION |
| | $\nabla=0$ $\nabla C=0$ | 4 PLACES ±--- ±--- 3 PLACES ±--- ±--- 2 PLACES ±--- ±--- 1 PLACE ±--- ±--- | DRAWN BY TWOLDEGE DATE 2011/05/26 CHECKED BY VOU DATE --- | TITLE MINI CHANGE 5P M/MFE DEVICENET CORDSET | | |
| | | ANGULAR ±---° | APPROVED BY --- DATE --- | MOLEX INCORPORATED | | |
| | | DRAFT WHERE APPLICABLE MUST REMAIN WITHIN DIMENSIONS | MATERIAL NO. SEE CHART | DOCUMENT NO. SD-130025-001 | SHEET NO. 1 OF 1 | |
| | | THIS DRAWING CONTAINS INFORMATION THAT IS PROPRIETARY TO MOLEX INCORPORATED AND SHOULD NOT BE USED WITHOUT WRITTEN PERMISSION | | | | |