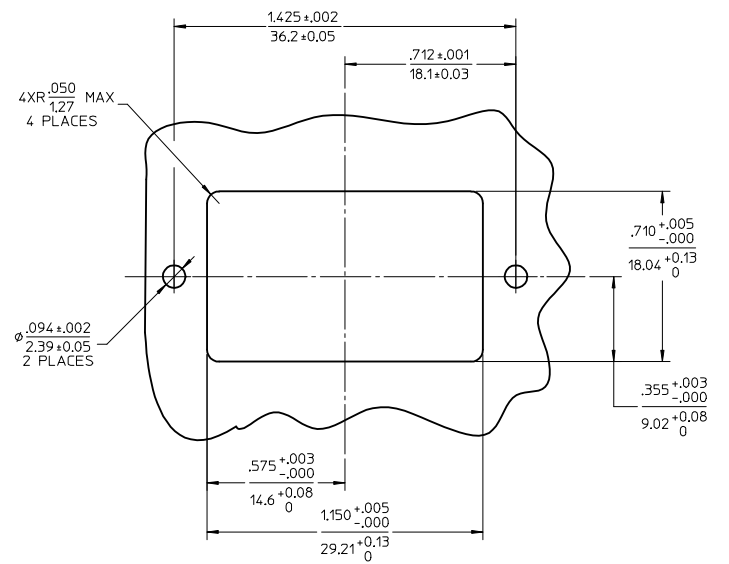
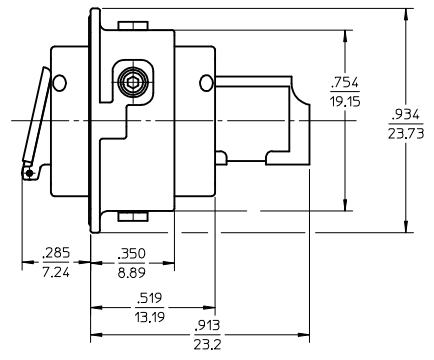
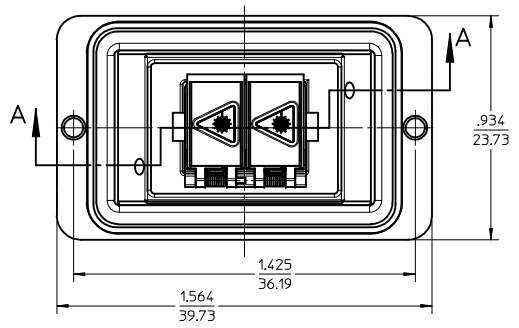
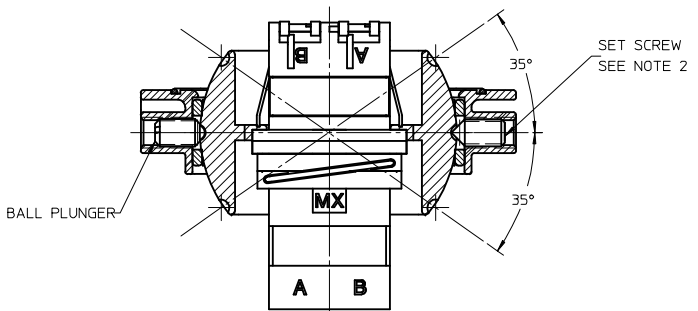


ISOMETRIC VIEWS
SCALE: 1.5:1



RECOMMENDED MOUNTING PATTERN



- NOTES:
1. ALL DIMENSIONS ARE FOR REFERENCE ONLY.
 2. USE SET SCREW TO FIX LC ADAPTER IN THE REQUIRED POSITION: -35°, 0°, +35°.
 3. SWIVEL ADAPTER IS ALSO AVAILABLE AS SC, MU, AND MPO VERSIONS.

ENTER DESCRIPTION EC NO: MF2006-0389 DRWNG: PGI/BLIN CHKD: 2005/12/14 APPR: IGI/IMIN 2005/12/14 2005/12/14	QUALITY SYMBOLS ▽=0 ▽=0	GENERAL TOLERANCES (UNLESS SPECIFIED)		DIMENSION STYLE INCH ONLY	SCALE 1:1	DESIGN UNITS INCH	THIRD ANGLE PROJECTION
		4 PLACES ± --- ± --- 3 PLACES ± --- ± --- 2 PLACES ± --- ± --- 1 PLACE ± --- ± ---	m/m INCH	DRAWN BY PGI/BLIN	DATE 2005/12/02	TITLE LC EMI SWIVEL ADAPTER BALL PLUNGER/SET SCREW VERSION	MOLEX INCORPORATED
REVISION A	DESCRIPTION A	DRAFT WHERE APPLICABLE MUST REMAIN WITHIN DIMENSIONS		APPROVED BY DATE	MATERIAL NO. 1061159500	DOCUMENT NO. SD-106115-9500	THIS DRAWING CONTAINS INFORMATION THAT IS PROPRIETARY TO MOLEX INCORPORATED AND SHOULD NOT BE USED WITHOUT WRITTEN PERMISSION