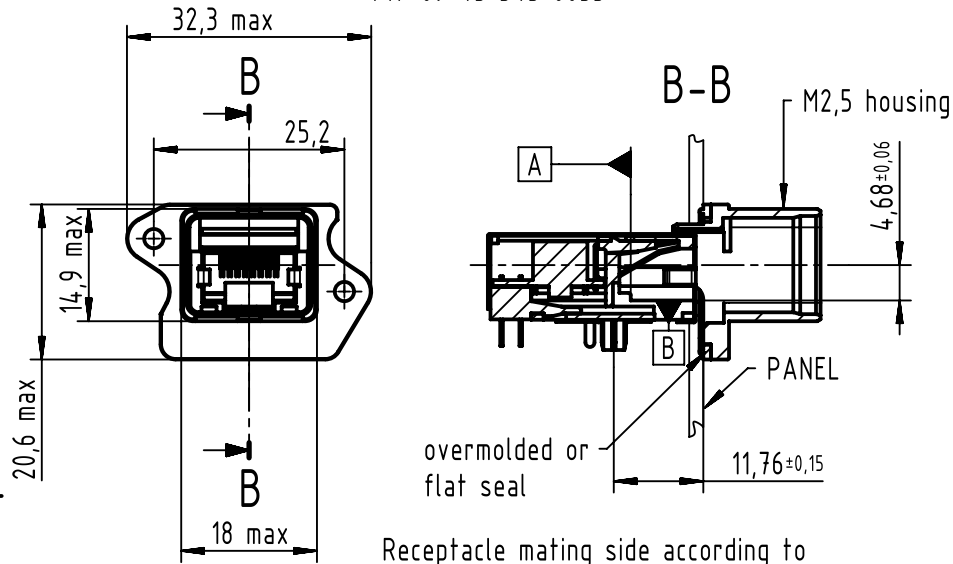


	All Dimensions in mm Original Size DIN A4		Scale 2:1	Free size tol.		Ref.
	All rights reserved Department EC PD - RO		Created by STOICA	Inspected by AVRAM	Standardisation HOFFMANN	Date 2015-09-03
HARTING Electronics GmbH D-32339 Espelkamp			Title HARTING RJ Industrial RJ45 jack 10/100Mbit PoE, 27.5mm			Doc-Key / ECM-Nr. 100635476/UGD/001/A 500000093968
			Type TB	Number 09455511131		Rev. A
					Page 1/4	

MOUNTING INSTRUCTIONS FOR HARTING PUSHPULL
COMPACT RECEPTACLE HOUSING

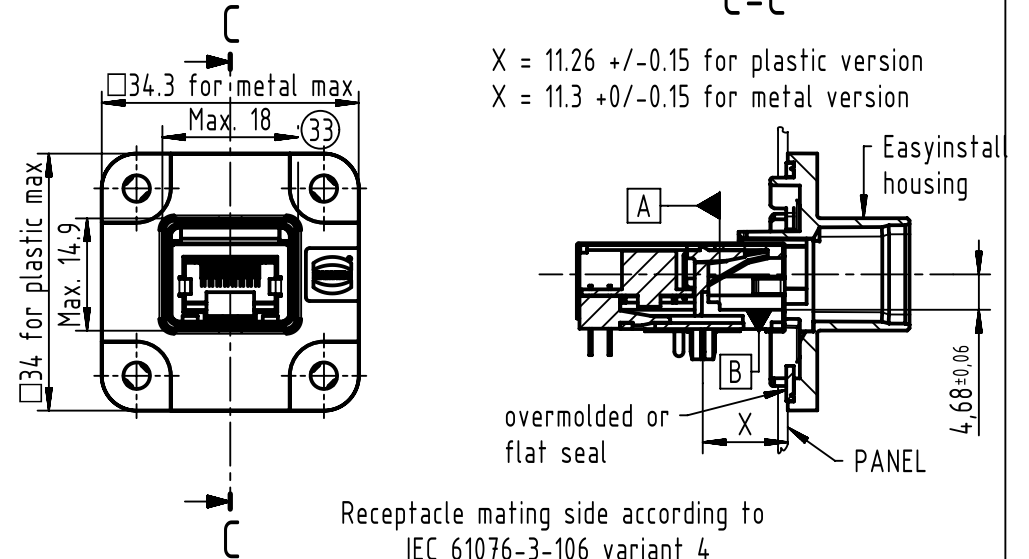
PN: 09 45 545 0023
PN: 09 45 545 0033



Receptacle mating side according to
IEC 61076-3-106 variant 4

MOUNTING INSTRUCTIONS FOR HARTING PUSHPULL
EASYINSTALL RECEPTACLE HOUSINGS

PN: 09 45 545 0030
PN: 09 45 595 0030



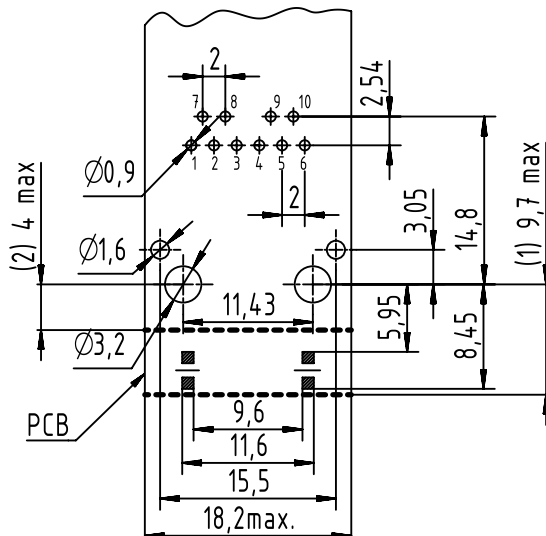
Receptacle mating side according to
IEC 61076-3-106 variant 4

PCB board Layout

PCB thickness: 1.6mm +/- 0.1

(1) maxi PCB front side position if SMD LED used
If LED used, maxi panel thickness for Pushpull compact
receptacle housing, is 1.5mm

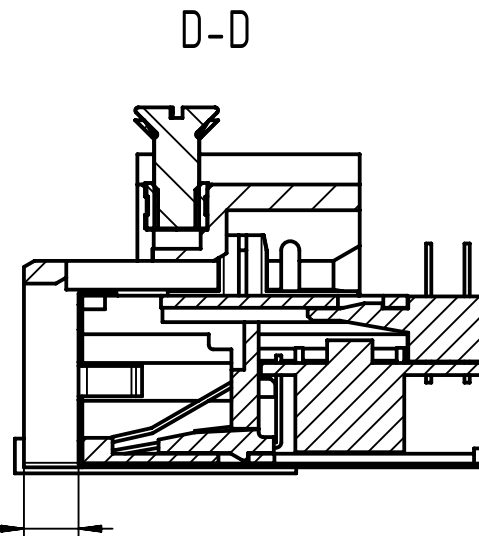
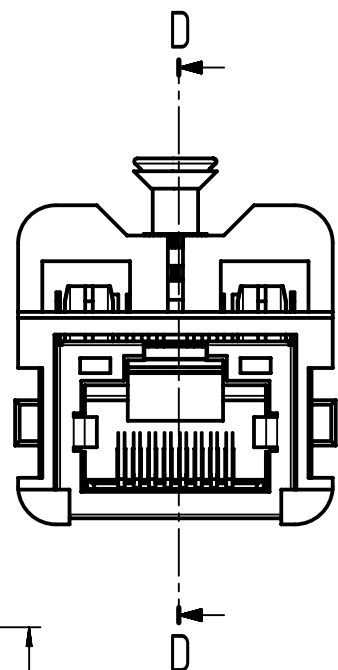
(2) maxi PCB front side position if SMD led NOT used



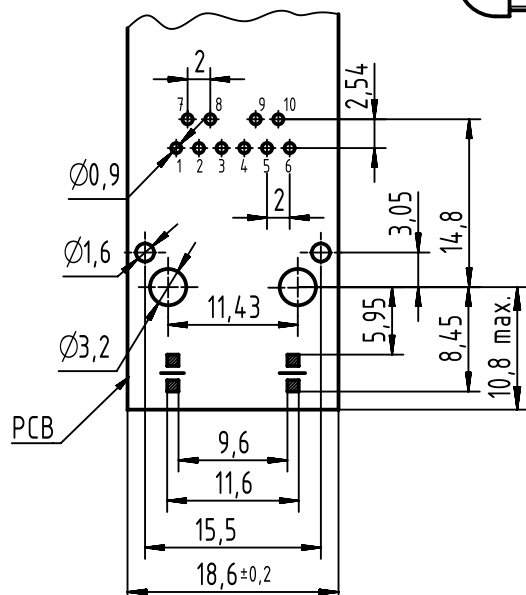
	All rights reserved Department EC PD - RO HARTING Electronics GmbH D-32339 Espelkamp	All Dimensions in mm Original Size DIN A4		Scale 1:1	Free size tol.	Ref. Sub.
		Created by STOICA	Inspected by AVRAM	Standardisation HOFFMANN	Date 2015-09-03	State Final Release
Title HARTING RJ Industrial RJ45 jack 10/100Mbit PoE, 27.5mm						Doc-Key / ECM-Nr. 100635476/UGD/001/A 500000093968
Type TB		Number 09455511131			Rev. A	Page 2/4

MOUNTING INSTRUCTION FOR HAN 3A RJ45 HOUSING WITH HAN 3A ADAPTER WITHOUT FIXING CLIPS

09 45 515 0022




PCB board Layout



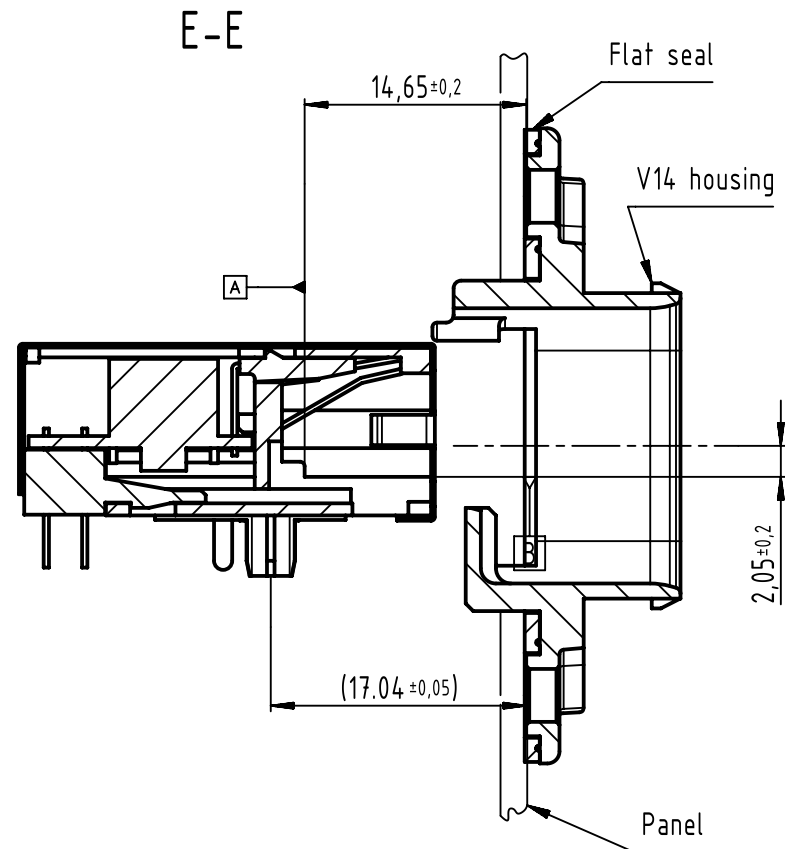
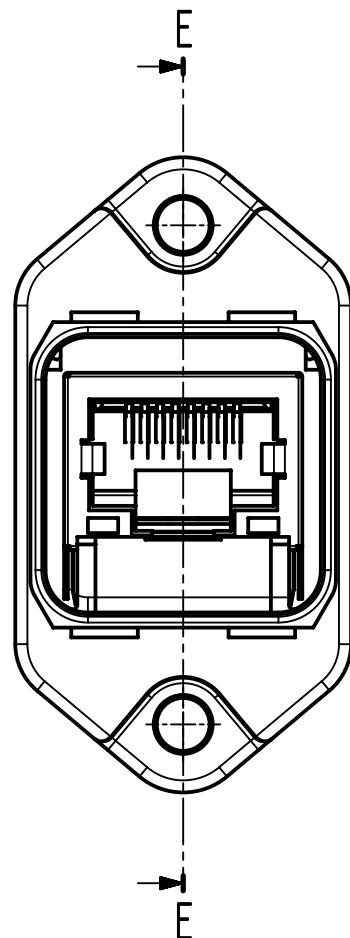
PCB thickness: 1.6mm +/-0.1

Receptacle mating side according to
IEC 61076-3-106 variant 5

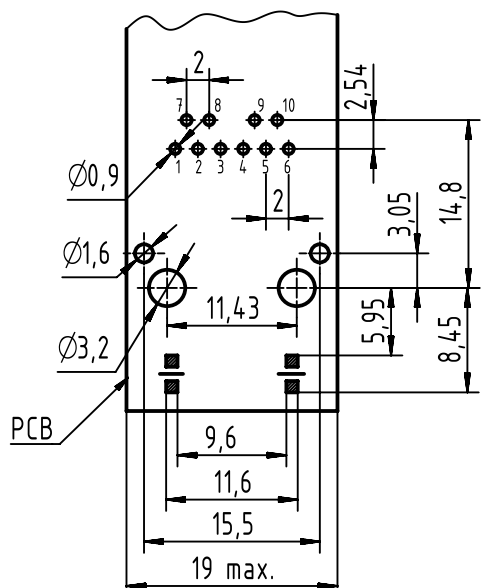
	All rights reserved Department EC PD - RO	All Dimensions in mm Original Size DIN A4		Scale 2:1	Free size tol.	Ref. Sub.
		Created by STOICA	Inspected by AVRAM	Standardisation HOFFMANN	Date 2015-09-03	State Final Release
HARTING Electronics GmbH D-32339 Espelkamp		Title HARTING RJ Industrial RJ45 jack 10/100Mbit PoE, 27.5mm			Doc-Key / ECM-Nr. 100635476/UGD/001/A 500000093968	
		Type TB	Number 09455511131		Rev. A	Page 3/4

MOUNTING INSTRUCTION FOR HAN PUSH/PULL RJ45 HOUSING
09 35 002 0301

Receptacle mating side according to
DIN EN 61076-3-117



PCB board Layout



PCB thickness: 1.6mm +/-0.1

	All Dimensions in mm Original Size DIN A4	Scale 1:1	Free size tol.		Ref.
					Sub.
	All rights reserved Department EC PD - RO	Created by STOICA	Inspected by AVRAM	Standardisation HOFFMANN	Date 2015-09-03
					State Final Release
Title HARTING RJ Industrial RJ45 jack 10/100Mbit PoE, 27.5mm					Doc-Key / ECM-Nr. 100635476/UGD/001/A 500000093968
HARTING Electronics GmbH D-32339 Espelkamp		Type TB	Number 09455511131		Rev. A Page 4/4