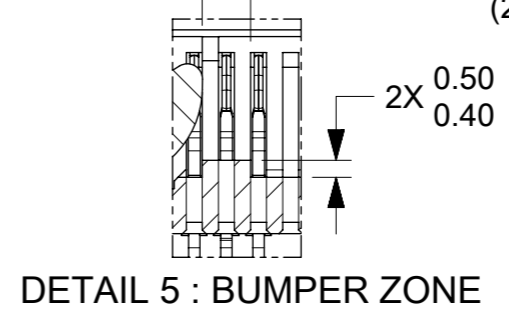


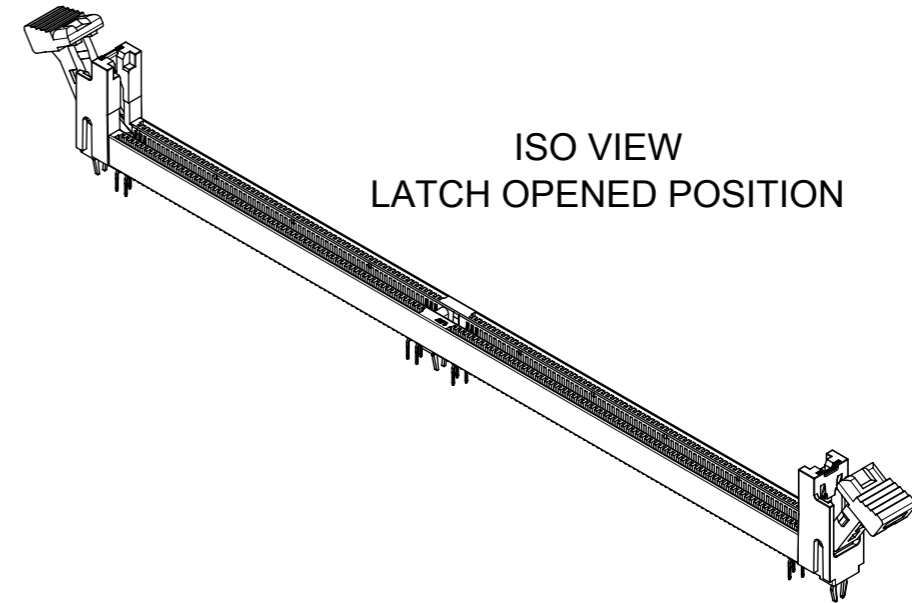
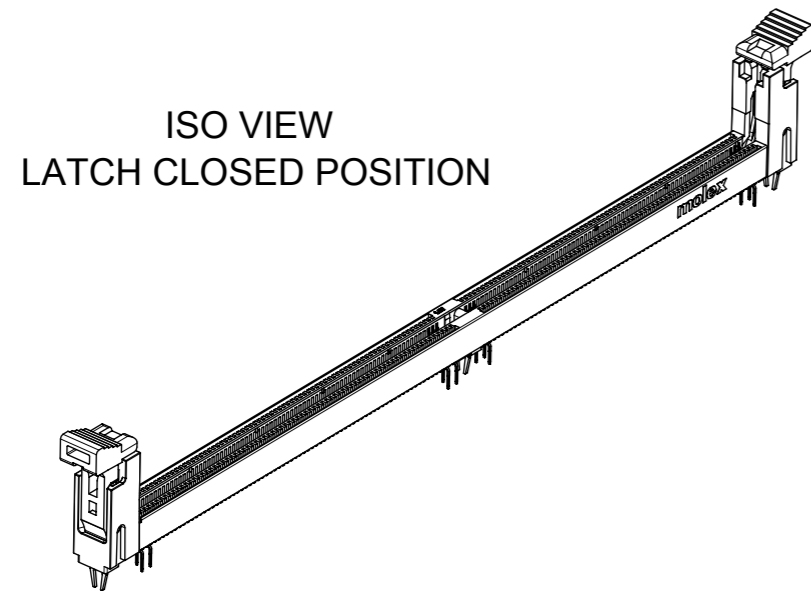
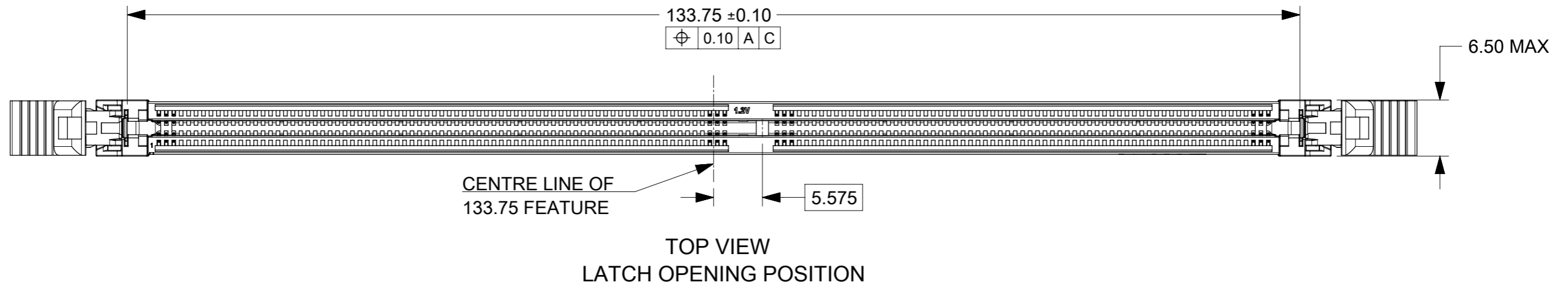
**NOTES:**

- MATERIAL : HOUSING - HALOGEN FREE HIGH TEMP POLYAMIDE, GLASS FILLED, UL94V-0.  
 COLOUR : SEE TABLE ON SHEET 5.  
 LATCH - HALOGEN FREE HIGH TEMP POLYAMIDE, GLASS FILLED, UL94V-0.  
 COLOUR : SEE TABLE ON SHEET 5.  
 TERMINAL : COPPER ALLOY.  
 FORKLOCK: COPPER ALLOY.
- FINISHES - SEE TABLE ON SHEET 5.
- PRODUCT SPECIFICATION : SEE TABLE ON SHEET 5.
- PACKAGING SPECIFICATION: PRODUCT SHALL BE PACKED IN TRAY, SEE SHEET 5
- CARD SLOT ACCEPTS 1.40±0.10MM MODULE THICKNESS (MEASURED OVER P.C. PADS).

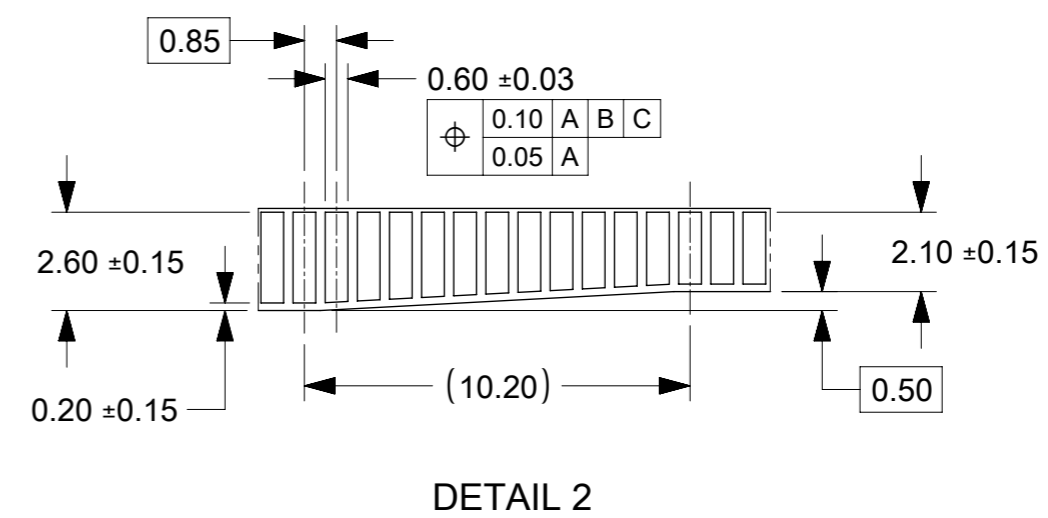
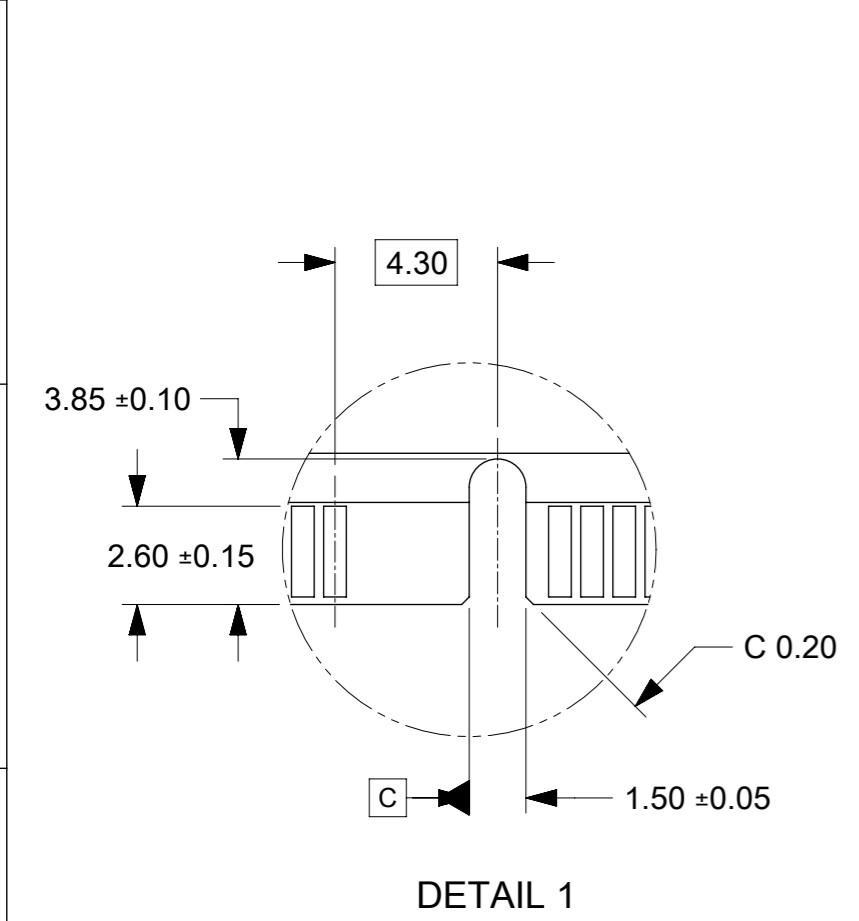
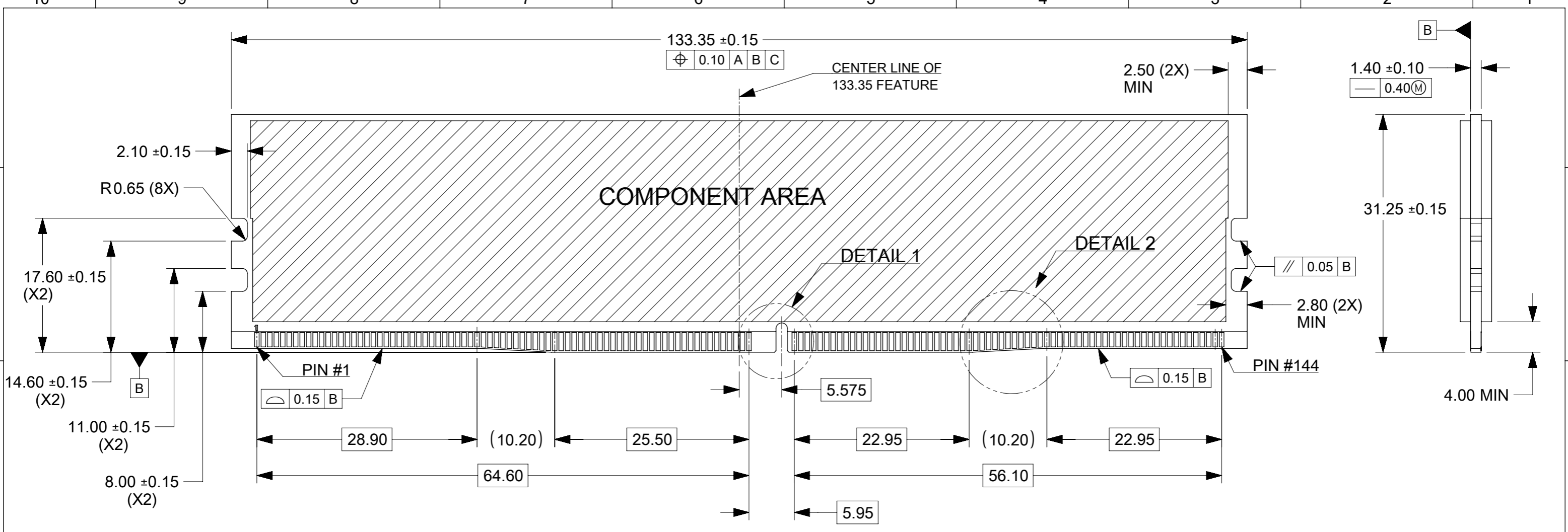
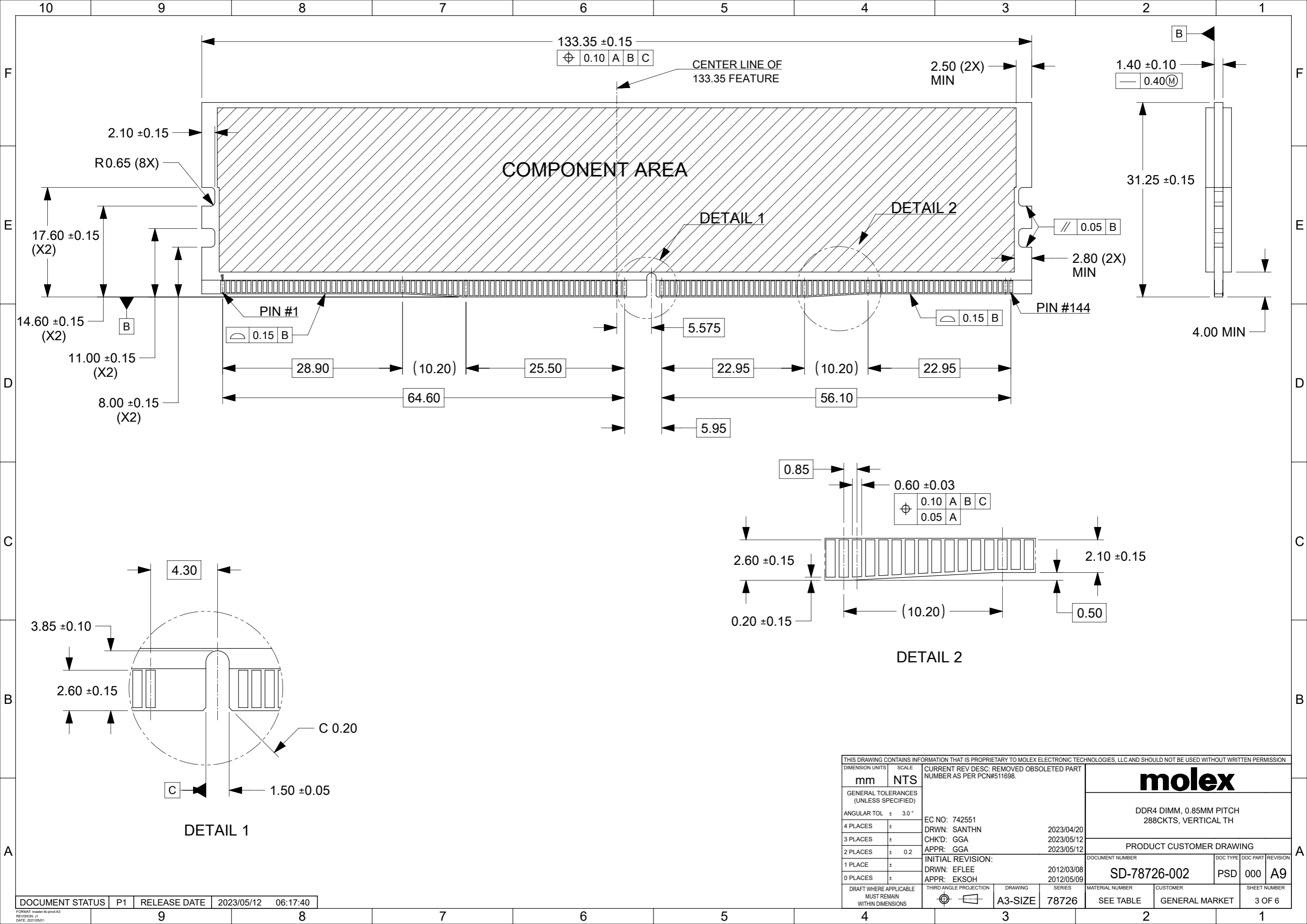
- ⑥ MOLEX LOGO, DATE & PART NO. INDICATED ON HOUSING.
  - ⑦ MODULE SEATING PLANE.
  - ⑧ KEEP OUT ZONE RESERVED FOR LATCH.
  - ⑨ KEEP OUT AREA IS THE AREA WHERE THE CONNECTOR (INCLUDES LATCHES IN OPENING POSITION) IS MOUNTED ON THE PCB.
- REFER TO AS-78726-001 FOR CONNECTOR APPLICATION GUIDELINE.
  - REFER TO AS-78726-002 FOR PCB ROUTING RECOMMENDATIONS.



THIS DRAWING CONTAINS INFORMATION THAT IS PROPRIETARY TO MOLEX ELECTRONIC TECHNOLOGIES, LLC AND SHOULD NOT BE USED WITHOUT WRITTEN PERMISSION											
DIMENSION UNITS <b>mm</b>		SCALE <b>NTS</b>		CURRENT REV DESC: REMOVED OBSOLETE PART NUMBER AS PER PCN#511698.						<b>DDR4 DIMM, 0.85MM PITCH 288CKTS, VERTICAL TH</b>	
GENERAL TOLERANCES (UNLESS SPECIFIED)		ANGULAR TOL ± 3.0°		EC NO: 742551 DRWN: SANTHN 2023/04/20 CHK'D: GGA 2023/05/12 APPR: GGA 2023/05/12							
4 PLACES ±		3 PLACES ±		2 PLACES ± 0.2		1 PLACE ±		0 PLACES ±		PRODUCT CUSTOMER DRAWING	
DRAFT WHERE APPLICABLE MUST REMAIN WITHIN DIMENSIONS		THIRD ANGLE PROJECTION		DRAWING <b>A3-SIZE</b>		SERIES <b>78726</b>		MATERIAL NUMBER SEE TABLE		CUSTOMER GENERAL MARKET	
DOCUMENT STATUS P1		RELEASE DATE 2023/05/12 06:17:40		INITIAL REVISION: DRWN: EFLEE 2012/03/08 APPR: EKSOH 2012/05/09		DOCUMENT NUMBER <b>SD-78726-002</b>		DOC TYPE PSD		DOC PART 000	
								REVISION <b>A9</b>		SHEET NUMBER 1 OF 6	



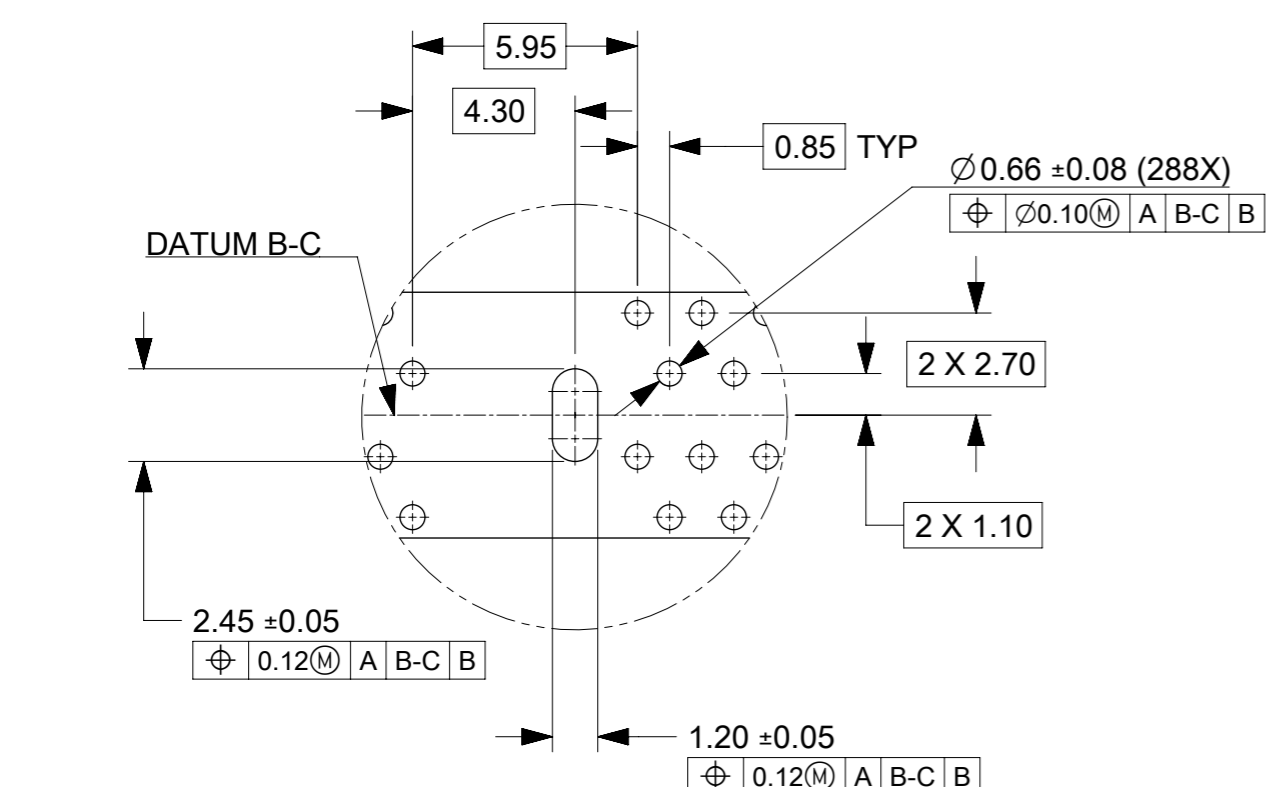
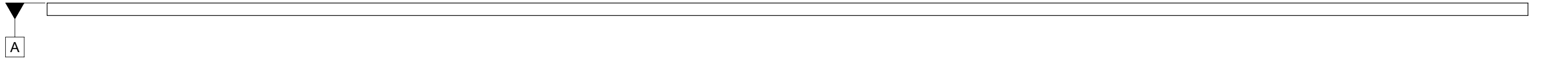
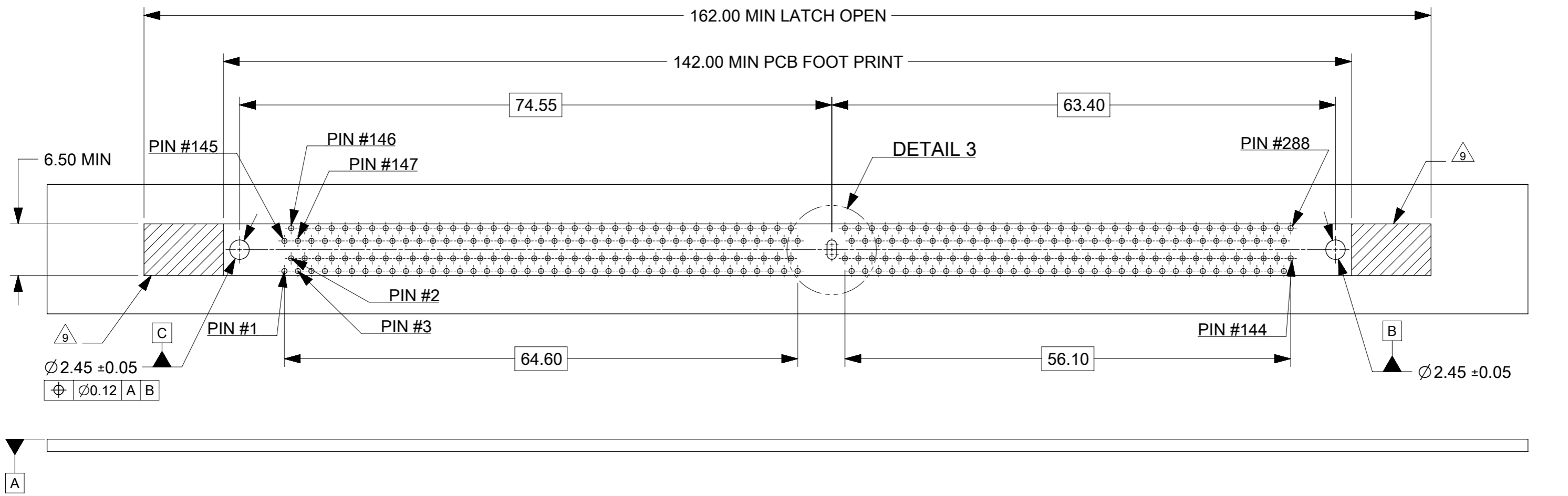
THIS DRAWING CONTAINS INFORMATION THAT IS PROPRIETARY TO MOLEX ELECTRONIC TECHNOLOGIES, LLC AND SHOULD NOT BE USED WITHOUT WRITTEN PERMISSION										
DIMENSION UNITS	SCALE	CURRENT REV DESC: REMOVED OBSOLETE PART NUMBER AS PER PCN#511698.								
mm	NTS									
GENERAL TOLERANCES (UNLESS SPECIFIED)										
ANGULAR TOL	± 3.0 °	<b>DDR4 DIMM, 0.85MM PITCH 288CKTS, VERTICAL TH</b>								
4 PLACES	±									
3 PLACES	±	<b>PRODUCT CUSTOMER DRAWING</b>								
2 PLACES	± 0.2									
1 PLACE	±	EC NO: 742551 DRWN: SANTHN 2023/04/20 CHK'D: GGA 2023/05/12 APPR: GGA 2023/05/12								
0 PLACES	±									
DRAFT WHERE APPLICABLE MUST REMAIN WITHIN DIMENSIONS		THIRD ANGLE PROJECTION	DRAWING	SERIES	MATERIAL NUMBER	CUSTOMER	DOCUMENT NUMBER	DOC TYPE	DOC PART	REVISION
			A3-SIZE	78726	SEE TABLE	GENERAL MARKET	SD-78726-002	PSD	000	A9



THIS DRAWING CONTAINS INFORMATION THAT IS PROPRIETARY TO MOLEX ELECTRONIC TECHNOLOGIES, LLC AND SHOULD NOT BE USED WITHOUT WRITTEN PERMISSION															
DIMENSION UNITS		SCALE		CURRENT REV DESC: REMOVED OBSOLETE PART NUMBER AS PER PCN#511698.											
mm		NTS		 DDR4 DIMM, 0.85MM PITCH 288CKTS, VERTICAL TH											
GENERAL TOLERANCES (UNLESS SPECIFIED)										PRODUCT CUSTOMER DRAWING					
ANGULAR TOL ± 3.0°										EC NO: 742551		2023/04/20		DOCUMENT NUMBER	
4 PLACES ±		DRWN: SANTHN								2023/05/12		SD-78726-002		DOC TYPE DOC PART REVISION	
3 PLACES ±		CHK'D: GGA								2023/05/12		PSD 000		A9	
2 PLACES ± 0.2		APPR: GGA		INITIAL REVISION:		2012/03/08		MATERIAL NUMBER							
1 PLACE ±		DRWN: EFLEE		2012/05/09		78726		CUSTOMER							
0 PLACES ±		APPR: EKSOH		THIRD ANGLE PROJECTION		DRAWING		SHEET NUMBER							
DRAFT WHERE APPLICABLE MUST REMAIN WITHIN DIMENSIONS				THIRD ANGLE PROJECTION		DRAWING		SERIES							
						A3-SIZE		78726							
						SEE TABLE		GENERAL MARKET							
								3 OF 6							

DOCUMENT STATUS	P1	RELEASE DATE	2023/05/12	06:17:40
-----------------	----	--------------	------------	----------

10 9 8 7 6 5 4 3 2 1



DETAIL 3

THIS DRAWING CONTAINS INFORMATION THAT IS PROPRIETARY TO MOLEX ELECTRONIC TECHNOLOGIES, LLC AND SHOULD NOT BE USED WITHOUT WRITTEN PERMISSION									
DIMENSION UNITS		SCALE		CURRENT REV DESC: REMOVED OBSOLETE PART NUMBER AS PER PCN#511698.					
mm		NTS							
GENERAL TOLERANCES (UNLESS SPECIFIED)									
ANGULAR TOL ± 3.0 °				PRODUCT CUSTOMER DRAWING					
4 PLACES ±				EC NO: 742551		2023/04/20		DOCUMENT NUMBER	
3 PLACES ±				DRWN: SANTHN		2023/05/12		SD-78726-002	
2 PLACES ± 0.2				CHK'D: GGA		2023/05/12		DOC TYPE DOC PART REVISION	
1 PLACE ±				APPR: GGA		2023/05/12		PSD 000 A9	
0 PLACES ±				INITIAL REVISION:					
DRAFT WHERE APPLICABLE MUST REMAIN WITHIN DIMENSIONS		THIRD ANGLE PROJECTION		DRAWING		SERIES		MATERIAL NUMBER	
				A3-SIZE		78726		SEE TABLE	
				CUSTOMER		GENERAL MARKET		SHEET NUMBER	
								4 OF 6	

DOCUMENT STATUS	P1	RELEASE DATE	2023/05/12	06:17:40
-----------------	----	--------------	------------	----------

9 8 7 6 5 4 3 2 1

F  
E  
D  
C  
B  
A

CKT SIZE	ASSEMBLY PART NO.	HOUSING COLOR	LATCH COLOR	DIM "P"	RECOMMENDED PCB THICKNESS	PLATING OPTION		PRODUCT SPEC. NO.	PACKAGING SPEC. NO.
						TERMINAL	FORKLOCK		
288	78726-1051	BLACK	BLACK	2.10	1.57	0.76 MICROMETER (30 MICROINCH) MIN GOLD ON CONTACT	1 MICROMETER (40 MICROINCH) MIN TIN OVERALL (PRE-PLATED)	PS-78726-001	PK-78726-001
	78726-1039			2.40	1.57				
	78726-1002			2.67	1.57				
	78726-1003			3.18	2.36				
	78726-1026			3.50	3.00				
	78726-1040	BLACK	WHITE	2.40	1.57				
	78726-1004			2.67	1.57				
	78726-1005			3.18	2.36				
	78726-1041	WHITE	BLACK	2.40	1.57				
	78726-1054	WHITE	WHITE	2.10	1.57				
	78726-1042			2.40	1.57				
	78726-1029			3.50	3.00				
	78726-1055			2.10	1.57				
	78726-1043	BLUE	BLUE	2.40	1.57				
	78726-1010			2.67	1.57				
	78726-1011			3.18	2.36				
	78726-1030			3.50	3.00				
	78726-1023			3.18	2.36				
	78726-1064	BLUE	WHITE	3.18	2.36				
	78726-1064	YELLOW	WHITE	2.40	1.57				
78726-0081	BLACK	BLACK	3.18	2.36					
78726-3005			WHITE	3.18	2.36				
78726-3052				2.10	1.57				
78726-4039				BLACK	2.40	1.57			
78726-4040				WHITE	2.40	1.57			

THIS DRAWING CONTAINS INFORMATION THAT IS PROPRIETARY TO MOLEX ELECTRONIC TECHNOLOGIES, LLC AND SHOULD NOT BE USED WITHOUT WRITTEN PERMISSION

DIMENSION UNITS	SCALE	CURRENT REV DESC: REMOVED OBSOLETE PART NUMBER AS PER PCN#511698.	<b>molex</b>		
mm	NTS				
GENERAL TOLERANCES (UNLESS SPECIFIED)			DDR4 DIMM, 0.85MM PITCH 288CKTS, VERTICAL TH		
ANGULAR TOL	± 3.0 °	EC NO: 742551	PRODUCT CUSTOMER DRAWING		
4 PLACES	±	DRWN: SANTHN 2023/04/20	DOCUMENT NUMBER		
3 PLACES	±	CHK'D: GGA 2023/05/12	SD-78726-002		
2 PLACES	± 0.2	APPR: GGA 2023/05/12	DOC TYPE	DOC PART	REVISION
1 PLACE	±	INITIAL REVISION:	PSD	000	A9
0 PLACES	±	DRWN: EFLEE 2012/03/08 APPR: EKSOH 2012/05/09	SHEET NUMBER		
DRAFT WHERE APPLICABLE MUST REMAIN WITHIN DIMENSIONS	THIRD ANGLE PROJECTION	DRAWING	SERIES	MATERIAL NUMBER	CUSTOMER
		A3-SIZE	78726	SEE TABLE	GENERAL MARKET
					5 OF 6

CKT SIZE	ASSEMBLY PART NO.	HOUSING COLOR	LATCH COLOR	DIM "P"	RECOMMENDED PCB THICKNESS	PLATING OPTION		PRODUCT SPEC. NO.	PACKAGING SPEC. NO.
						TERMINAL	FORKLOCK		
288	78726-1045	BLACK	BLACK	2.40	1.57	0.38 MICROMETER (15 MICROINCH) MIN GOLD ON CONTACT	1 MICROMETER (40 MICROINCH) MIN TIN OVERALL (PRE-PLATED)	PS-78726-002	PK-78726-001
	78726-1012			2.67	1.57				
	78726-1013			3.18	2.36				
	78726-1032			3.50	3.00				
	78726-1046	BLACK	WHITE	2.40	1.57				
	78726-1033			3.50	3.00				
	78726-1059	WHITE	BLACK	2.10	1.57				
	78726-1047			2.40	1.57				
	78726-1048	WHITE	WHITE	2.40	1.57				
	78726-1018			2.67	1.57				
	78726-1035			3.50	3.00				
	78726-1049			2.40	1.57				
	78726-1020	BLUE	BLUE	2.67	1.57				
	78726-1021			3.18	2.36				
	78726-1036	BLUE	WHITE	3.50	3.00				
	78726-1050			2.40	1.57				
	78726-1037			3.50	3.00				
	78726-1072			3.50	3.00				
	78726-3012	BLACK	BLACK	2.67	1.57				
	78726-3032			3.50	3.00				
78726-3020	BLUE	BLUE	2.67	1.57					
78726-3036			3.50	3.00					
									787260003

THIS DRAWING CONTAINS INFORMATION THAT IS PROPRIETARY TO MOLEX ELECTRONIC TECHNOLOGIES, LLC AND SHOULD NOT BE USED WITHOUT WRITTEN PERMISSION

DIMENSION UNITS <b>mm</b>	SCALE <b>NTS</b>	CURRENT REV DESC: REMOVED OBSOLETE PART NUMBER AS PER PCN#511698.	<b>molex</b>		
GENERAL TOLERANCES (UNLESS SPECIFIED)					
ANGULAR TOL ± 3.0 °			PRODUCT CUSTOMER DRAWING		
4 PLACES ±		EC NO: 742551	DOCUMENT NUMBER		
3 PLACES ±		DRWN: SANTHN 2023/04/20	SD-78726-002		
2 PLACES ± 0.2		CHK'D: GGA 2023/05/12	DOC TYPE	DOC PART	REVISION
1 PLACE ±		APPR: GGA 2023/05/12	PSD	000	A9
0 PLACES ±		INITIAL REVISION: DRWN: EFLEE 2012/03/08 APPR: EKSOH 2012/05/09	SHEET NUMBER		
DRAFT WHERE APPLICABLE MUST REMAIN WITHIN DIMENSIONS	THIRD ANGLE PROJECTION	DRAWING	SERIES	MATERIAL NUMBER	CUSTOMER
		A3-SIZE	78726	SEE TABLE	GENERAL MARKET