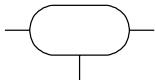



Datasheet


Function
CRVZS-0.1/0.4/0.75/2



CRVZS-5/10/20
With condensate drain



•  Temperature range
-10 ... +100 °C

•  Operating pressure
-0.095 ... 1.6 MPa



- To compensate for pressure fluctuations and as accumulators in the event of sudden air consumption
- To provide large volumes of compressed air for supplying fast-pulsing drives
- Delay times for pressure build-up can be achieved in combination with flow control valves

Technical data

Type	CRVZS-0.1	CRVZS-0.4	CRVZS-0.75	CRVZS-2	CRVZS-5	CRVZS-10	CRVZS-20
Pneumatic connection	G1/8	G1/4		G1/2	G1		
Condensate drain connection	-				G3/8		
Type of mounting	Via fixing clips			With through-hole			
Mounting position	Any				Condensate drain downwards		
Volume [l]	0.1 ±20%	0.4 ±20%	0.75 ±20%	2 ±10%	5 ±10%	10 ±10%	20 ±10%
Weight [g]	226	543	736	1681	3581	6459	10208

† Note: This product conforms to ISO 1179-1 and ISO 228-1.

Operating and environmental conditions

Type	CRVZS-0.1	CRVZS-0.4	CRVZS-0.75	CRVZS-2	CRVZS-5	CRVZS-10	CRVZS-20
Operating pressure	[MPa]	-0.095 ... +1.6					
	[bar]	-0.95 ... +16					
	[psi]	-13.775 ... +232					
Operating medium	Compressed air to ISO 8573-1:2010 [---]						
	Nitrogen						
Ambient temperature [°C]	-10 ... +100 (note operating area of tubing and piping)						
Temperature of medium [°C]	-10 ... +100 (note operating area of tubing and piping)						
Corrosion resistance class CRC ¹⁾	3						
Conforms to standard	AD 2000						
CE marking (see declaration of conformity) ²⁾	-				To EU Pressure Equipment Directive		
UKCA marking (see declaration of conformity) ²⁾	-				UK regulations for pressure equipment		
Food-safe ²⁾	See supplementary material information						
Certification ²⁾	German Technical Control Board (TÜV)						
	CRN						
Certificate-issuing authority	TSSACRNOH17477.5C				CRNOH15669.5C		

1) More information www.festo.com/x/topic/crc

2) More information: www.festo.com/catalogue/crvzs → Support/Downloads.

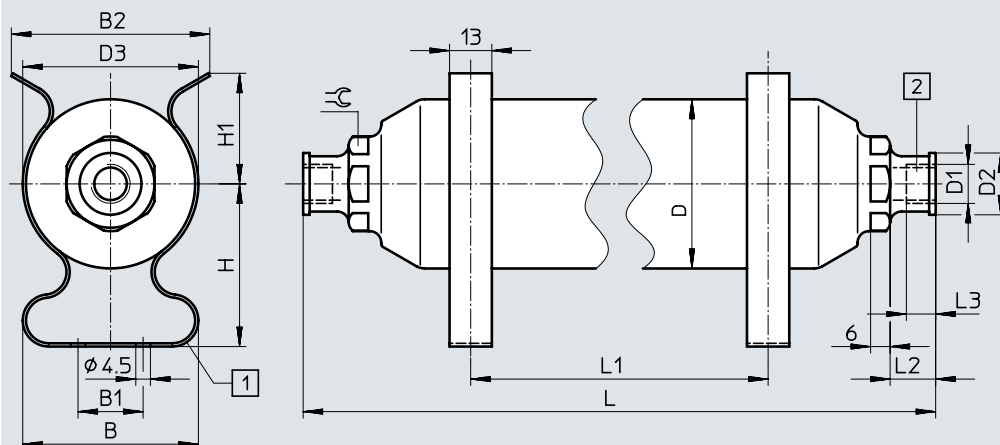
Datasheet

Materials							
Type	CRVZS-0.1	CRVZS-0.4	CRVZS-0.75	CRVZS-2	CRVZS-5	CRVZS-10	CRVZS-20
Air reservoirs	High-alloy stainless steel						
Via fixing clips	High-alloy stainless steel			-			
Note on materials	RoHS-compliant						
LABS (PWIS) conformity	VDMA24364-B1/B2-L						

Dimensions

Download CAD data → www.festo.com

CRVZS-0.1/CRVZS-0.4/CRVZS-0.75



- [1] Fixing clips
 [2] Max. tightening torque for connecting thread
 → table below

Type	B	B1	B2	D	D1	D2	D3	H	H1
	±2		±2	∅		∅	∅	±1	±1
CRVZS-0.1	51	14	-	40	G1/8	15	42	43	28
CRVZS-0.4	54	14	-	52	G1/4	19	54	50	34
CRVZS-0.75	60	20	79	70	G1/4	19	72	61	34

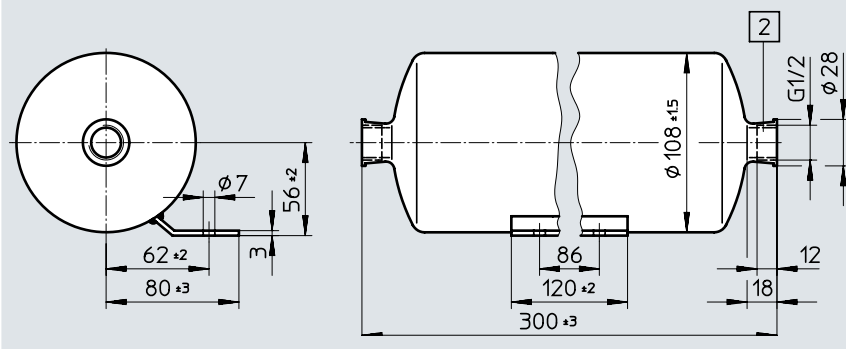
Type	L	L1		L2	L3	⌀	Max. tightening torque Connecting thread [Nm]
		min.	max.				
CRVZS-0.1	±1	13	50	10	6	19	15
CRVZS-0.4	±1	13	150	14	9	27	23
CRVZS-0.75	±1	13	140	14	9	27	23

† Note: This product conforms to ISO 1179-1 and ISO 228-1.

Dimensions

Download CAD data → www.festo.com

CRVZS-2



- [2] Max. tightening torque for connecting thread: 55 Nm

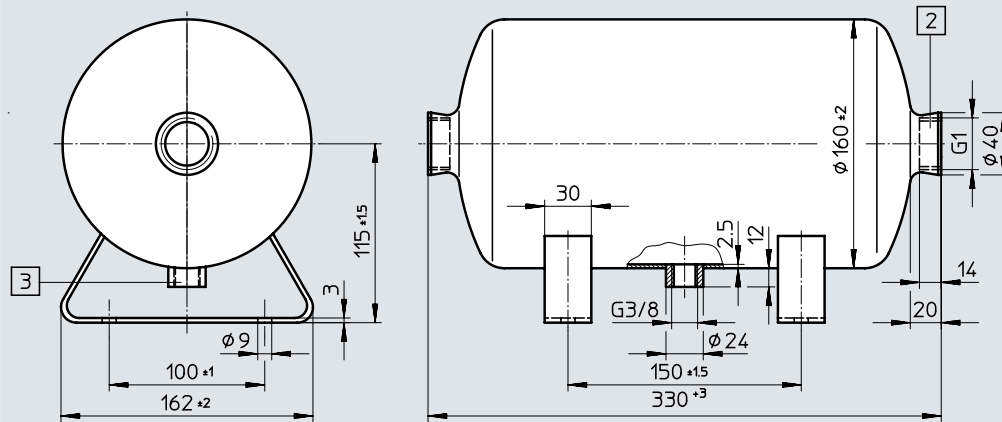
† Note: This product conforms to ISO 1179-1 and ISO 228-1.

Datasheet

Dimensions

Download CAD data → www.festo.com

CRVZS-5



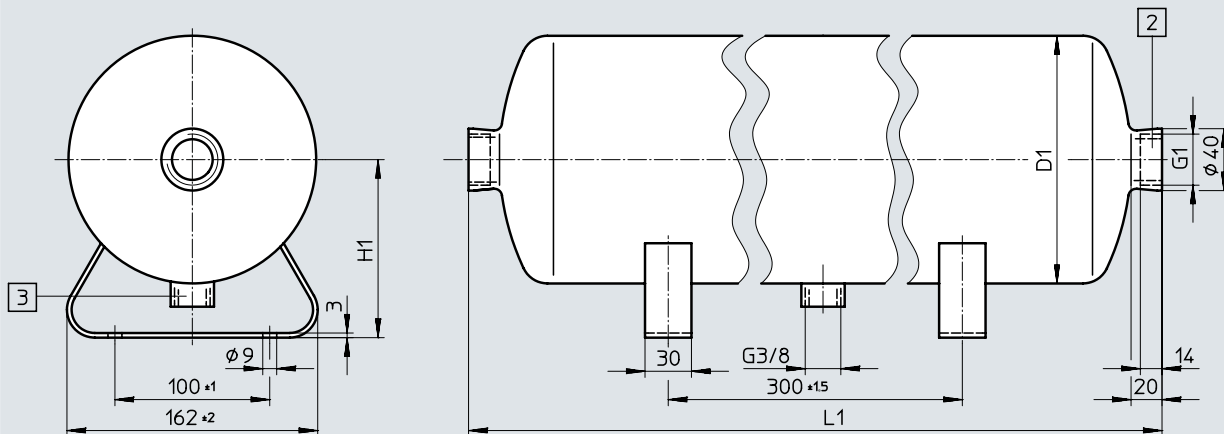
- [2] Max. tightening torque for connecting thread: 130 Nm
- [3] Max. tightening torque for condensate drain 27 Nm

Note: This product conforms to ISO 1179-1 and ISO 228-1.

Dimensions

Download CAD data → www.festo.com

CRVZS-10/CRVZS-20



- [2] Max. tightening torque for connecting thread → table below
- [3] Max. tightening torque for condensate drain → table below

Type	D1 ±2	H1 ±1.5	L1 ±3	Max. tightening torque	
				Connecting thread [Nm]	Condensate drain [Nm]
CRVZS-10	160	115	558	130	27
CRVZS-20	194	136	740	130	27

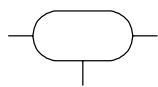
Note: This product conforms to ISO 1179-1 and ISO 228-1.


Ordering data


Volume [l]	Part no.	Type	Volume [l]	Part no.	Type
0.1 ±20%	160233	CRVZS-0.1	5 ±10%	192159	CRVZS-5
0.4 ±20%	160234	CRVZS-0.4	10 ±10%	160237	CRVZS-10
0.75 ±20%	160235	CRVZS-0.75	20 ±10%	534845	CRVZS-20
2 ±10%	160236	CRVZS-2			

Datasheet

Function
With condensate drain



-  - Temperature range
-10 ... +100 °C

-  - Operating pressure
-0.095 ... 1.6 MPa



- To compensate for pressure fluctuations and as accumulators in the event of sudden air consumption
- To provide large volumes of compressed air for supplying fast-pulsing drives
- Delay times for pressure build-up can be achieved in combination with flow control valves

Technical data

Type	VZS-20-B
Pneumatic connection	G1
Condensate drain connection	G3/8
Type of mounting	With through-hole
Mounting position	Condensate drain downwards
Volume [l]	20 ±10%
Weight [g]	8600

† Note: This product conforms to ISO 1179-1 and ISO 228-1.

Operating and environmental conditions

Type	VZS-20-B	
Operating pressure	[MPa]	-0.095 ... +1.6
	[bar]	-0.95 ... +16
	[psi]	-13.775 ... +232
Operating medium	Compressed air to ISO 8573-1:2010 [---:--]	
	Nitrogen	
Ambient temperature [°C]	-10 ... +100 (note operating area of tubing and piping)	
Temperature of medium [°C]	-10 ... +100 (note operating area of tubing and piping)	
Corrosion resistance class CRC ¹⁾	4	
Conforms to standard	EN 286-1	
CE marking (see declaration of conformity)	To EU Simple Pressure Vessels Directive	

1) More information www.festo.com/x/topic/crc

Materials

Air reservoirs	Powder-coated steel
----------------	---------------------

Festo - Your Partner in Automation



1 Festo Inc.
5300 Explorer Drive
Mississauga, ON L4W 5G4
Canada

Festo Customer Interaction Center
Tel: 1 877 463 3786
Fax: 1 877 393 3786
Email: customer.service.ca@festo.com

2 Festo Pneumatic
Av. Ceylán 3,
Col. Tequesquináhuac
54020 Tlalnepantla,
Estado de México

Multinational Contact Center
01 800 337 8669
ventas.mexico@festo.com

3 Festo Corporation
1377 Motor Parkway
Suite 310
Islandia, NY 11749

Festo Customer Interaction Center
1 800 993 3786
1 800 963 3786
customer.service.us@festo.com

4 Regional Service Center
7777 Columbia Road
Mason, OH 45040

Connect with us



www.festo.com/socialmedia



www.festo.com

Subject to change