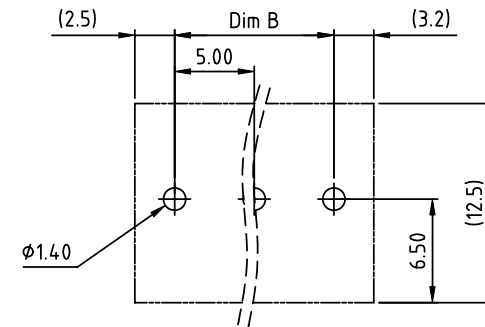
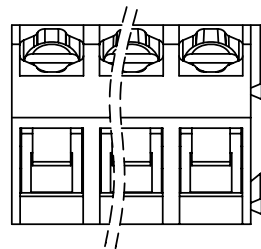
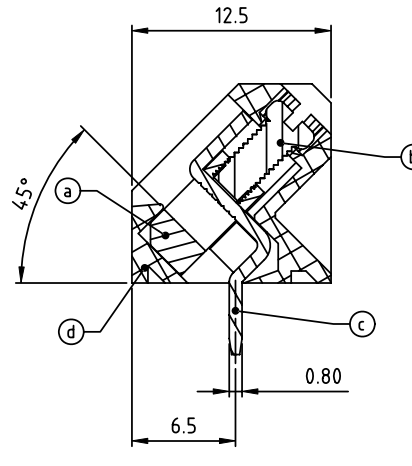
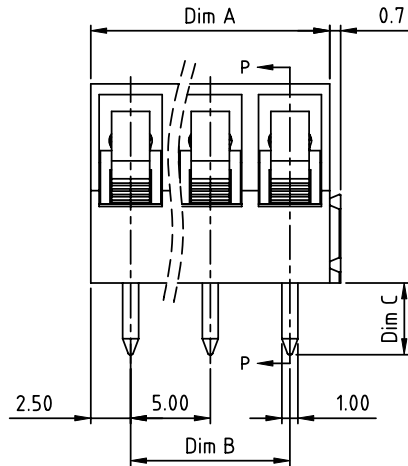
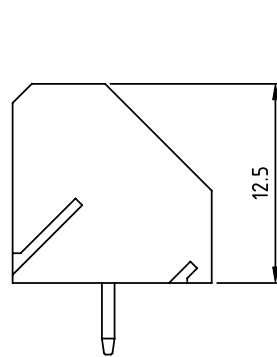


PRODUCT NUMBER	PITCH
TGxx01xxB0J0G	5.00 mm



RECOMMENDED P.C.B LAYOUT
TOP VIEW



Material:

- Item ① Clamp: Brass, Ni plated
- Item ② Terminal screw: Steel Zinc plating "-" slot type.
- Item ③ Solder pin: Brass, Tin plated
- Item ④ Terminal housing: Thermoplastic (UL94V-0)

Electrical:

- Voltage rating: 300V/250V
- Current rating: 15A/10A
- Wire range: 0.34-4.0mm²
- Solid wire(AWG): 12-24
- Stranded wire(AWG): 12-24
- Torque: 3.5 Lb-In / 0.4 N.m
- Screw: M2.5
- Wire strip length: 6-7mm
- Withstanding Voltage: 1.6 KV/2 KV
- Operating temperature: -40°C to +115°C
- Soldering temperature: 260°C±5°C/5 Sec
- Safety Approval:

N = Number of poles
Dim A=Nx5.0
Dim B=(N-1)x5.0

poles	Tolerance
2-6p	±0.15
7-12p	±0.20
13-18p	±0.30
19-24p	±0.40

PART NO.: TG xx 0 1 x x B 0J0 G

	Body Color	DIM C Length	RoHS compliant
End stackable	0 Black (RAL9005)	0 4.5mm	(lead<4%)
No. of poles	2 Red (RAL3001/D)	3 3.2mm	In copper Alloy
02 2 poles	3 Orange(RAL2011/P)		
03 3 poles	4 Yellow(RAL1018/A)		
...	5 Green(RAL6018/T)		
...	6 Blue (RAL5015/A)		
24 24 poles	8 Grey(RAL7035/D)		
	9 White(RAL1102)		
	C Green(RAL6018/U)		

mat'l. code		surface ASME Y14.5	tolerance ASME Y14.5	projection	product family TERMINAL BLOCK
ltr	ecn no	dr	date		title TERMINAL BLOCK
				MM	RISING CLAMP, 45D WIRE INLET, END STACKABLE
				scale	dwg no
					sheet 1 of 1
					size A4
					TGxx01xxB0J0G
					type CUSTOMER Drawing
sheet index	revision	A			
	sheet	1			