

Fault-Protected RS-485 Transceivers With Extended Common-Mode Range

 Check for Samples: [SN65HVD1792-EP](#)

FEATURES

- Bus-Pin Fault Protection to $> \pm 70$ V
- Common-Mode Voltage Range (-20 V to 25 V) More Than Doubles TIA/EIA 485 Requirement
- Bus I/O Protection
 - ± 16 kV JEDEC HBM Protection
- Reduced Unit Load for Up to 256 Nodes
- Failsafe Receiver for Open-Circuit, Short-Circuit and Idle-Bus Conditions
- Low Power Consumption
 - Low Standby Supply Current, 1 μ A Typ
 - I_{CC} 5 mA Quiescent During Operation
- Power-Up, Power-Down Glitch-Free Operation

APPLICATIONS

- Designed for RS-485 and RS-422 Networks

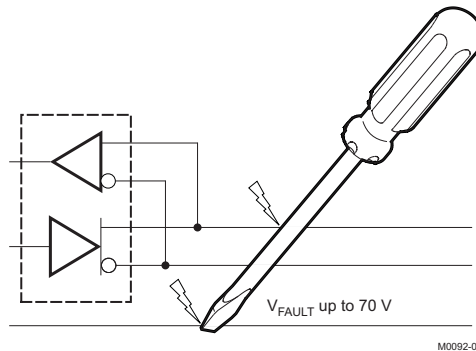
SUPPORTS DEFENSE, AEROSPACE, AND MEDICAL APPLICATIONS

- Controlled Baseline
- One Assembly and Test Site
- One Fabrication Site
- Extended Product Life Cycle
- Extended Product-Change Notification
- Product Traceability

DESCRIPTION

The SN65HVD1792 is designed to survive overvoltage faults such as direct shorts to power supplies, mis-wiring faults, connector failures, cable crushes, and tool mis-applications. It is also robust to ESD events, with high levels of protection to human-body model specifications.

The SN65HVD1792 combines a differential driver and a differential receiver, which operate from a single power supply. The SN65HVD1792 is characterized from -40°C to 105°C .



ORDERING INFORMATION⁽¹⁾

| T_A | PACKAGE ⁽²⁾ | ORDERABLE PART NUMBER | TOP-SIDE MARKING | VID NUMBER |
|--|------------------------|-----------------------|------------------|------------------|
| -40°C to 105°C | SOIC - D | SN65HVD1792TDREP | 1792EP | V62/13620-01XE |
| | | SN65HVD1792TDEP | | V62/13620-01XE-T |

(1) For the most current package and ordering information, see the Package Option Addendum at the end of this document, or see the TI website at www.ti.com.

(2) Package drawings, standard packing quantities, thermal data, symbolization, and PCB design guidelines are available at www.ti.com/sc/package.



Please be aware that an important notice concerning availability, standard warranty, and use in critical applications of Texas Instruments semiconductor products and disclaimers thereto appears at the end of this data sheet.



These devices have limited built-in ESD protection. The leads should be shorted together or the device placed in conductive foam during storage or handling to prevent electrostatic damage to the MOS gates.

DEVICE INFORMATION

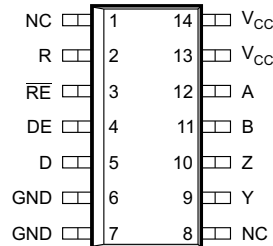
DRIVER FUNCTION TABLE

| Input D | Enable DE | Outputs | | |
|------------|--------------|---------|---|------------------------------------|
| | | A | B | |
| H | H | H | L | Actively drive bus high |
| L | H | L | H | Actively drive bus low |
| X | L | Z | Z | Driver disabled |
| X | OPEN | Z | Z | Driver disabled by default |
| OPEN | H | H | L | Actively drive bus high by default |

RECEIVER FUNCTION TABLE

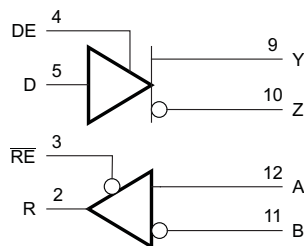
| Differential Input $V_{ID} = V_A - V_B$ | Enable RE | Output R | |
|--|--------------|-------------|------------------------------|
| $V_{IT+} < V_{ID}$ | L | H | Receive valid bus high |
| $V_{IT-} < V_{ID} < V_{IT+}$ | L | ? | Indeterminate bus state |
| $V_{ID} < V_{IT-}$ | L | L | Receive valid bus low |
| X | H | Z | Receiver disabled |
| X | OPEN | Z | Receiver disabled by default |
| Open-circuit bus | L | H | Fail-safe high output |
| Short-circuit bus | L | H | Fail-safe high output |
| Idle (terminated) bus | L | H | Fail-safe high output |

D Package
(Top View)



NC - No internal connection
 Pins 6 and 7 are connected together internally.
 Pins 13 and 14 are connected together internally.

Logic Diagram (Positive Logic)



S0300-01

ABSOLUTE MAXIMUM RATINGS⁽¹⁾

| | | VALUE | UNIT |
|-----------------|---|-------------------------------|------|
| V _{CC} | Supply voltage | –0.5 to 7 | V |
| | Voltage range at bus pins | A, B pins –70 to 70 | V |
| | Input voltage range at any logic pin | –0.3 to V _{CC} + 0.3 | V |
| | Transient overvoltage pulse through 100 Ω per TIA-485 | –100 to 100 | V |
| | Receiver output current | –24 to 24 | mA |
| T _J | Junction temperature | 170 | °C |
| | IEC 60749-26 ESD (human-body model), bus terminals and GND | ±16 | kV |
| | JEDEC Standard 22, Test Method A114 (human-body model), bus terminals and GND | ±16 | kV |
| | JEDEC Standard 22, Test Method A114 (human-body model), all pins | ±4 | kV |
| | JEDEC Standard 22, Test Method C101 (charged-device model), all pins | ±2 | kV |
| | JEDEC Standard 22, Test Method A115 (machine model), all pins | ±400 | V |

- (1) Stresses beyond those listed under *absolute maximum ratings* may cause permanent damage to the device. These are stress ratings only and functional operation of the device at these or any other conditions beyond those indicated under *recommended operating conditions* is not implied. Exposure to absolute-maximum-rated conditions for extended periods may affect device reliability.

THERMAL INFORMATION

| THERMAL METRIC ⁽¹⁾ | | SN65HVD1792-EP | UNITS |
|-------------------------------|---|----------------|-------|
| | | D | |
| | | 14 PINS | |
| θ _{JA} | Junction-to-ambient thermal resistance ⁽²⁾ | 70.8 | °C/W |
| θ _{JCtop} | Junction-to-case (top) thermal resistance ⁽³⁾ | 29.4 | |
| θ _{JB} | Junction-to-board thermal resistance ⁽⁴⁾ | 25.3 | |
| ψ _{JT} | Junction-to-top characterization parameter ⁽⁵⁾ | 8.2 | |
| ψ _{JB} | Junction-to-board characterization parameter ⁽⁶⁾ | 25 | |
| θ _{JCbot} | Junction-to-case (bottom) thermal resistance ⁽⁷⁾ | N/A | |

- (1) For more information about traditional and new thermal metrics, see the *IC Package Thermal Metrics* application report, [SPRA953](#).
- (2) The junction-to-ambient thermal resistance under natural convection is obtained in a simulation on a JEDEC-standard, high-K board, as specified in JESD51-7, in an environment described in JESD51-2a.
- (3) The junction-to-case (top) thermal resistance is obtained by simulating a cold plate test on the package top. No specific JEDEC-standard test exists, but a close description can be found in the ANSI SEMI standard G30-88.
- (4) The junction-to-board thermal resistance is obtained by simulating in an environment with a ring cold plate fixture to control the PCB temperature, as described in JESD51-8.
- (5) The junction-to-top characterization parameter, ψ_{JT}, estimates the junction temperature of a device in a real system and is extracted from the simulation data for obtaining θ_{JA}, using a procedure described in JESD51-2a (sections 6 and 7).
- (6) The junction-to-board characterization parameter, ψ_{JB}, estimates the junction temperature of a device in a real system and is extracted from the simulation data for obtaining θ_{JA}, using a procedure described in JESD51-2a (sections 6 and 7).
- (7) The junction-to-case (bottom) thermal resistance is obtained by simulating a cold plate test on the exposed (power) pad. No specific JEDEC standard test exists, but a close description can be found in the ANSI SEMI standard G30-88.

RECOMMENDED OPERATING CONDITIONS

| | | MIN | NOM | MAX | UNIT |
|------------|--|-----|-----|----------|--------------------|
| V_{CC} | Supply voltage | 4.5 | 5 | 5.5 | V |
| V_I | Input voltage at any bus terminal (separately or common mode) ⁽¹⁾ | -20 | | 25 | V |
| V_{IH} | High-level input voltage (driver, driver enable, and receiver enable inputs) | 2 | | V_{CC} | V |
| V_{IL} | Low-level input voltage (driver, driver enable, and receiver enable inputs) | 0 | | 0.8 | V |
| V_{ID} | Differential input voltage | -25 | | 25 | V |
| I_O | Output current, driver | -60 | | 60 | mA |
| | Output current, receiver | -8 | | 8 | mA |
| R_L | Differential load resistance | 54 | 60 | | Ω |
| C_L | Differential load capacitance | | 50 | | pF |
| $1/t_{UI}$ | Signaling rate | | | 1 | Mbps |
| T_A | Operating free-air temperature (see application section for thermal information) | -40 | | 105 | $^{\circ}\text{C}$ |
| T_J | Junction temperature | -40 | | 150 | $^{\circ}\text{C}$ |

(1) By convention, the least positive (most negative) limit is designated as minimum in this data sheet.

ELECTRICAL CHARACTERISTICS

over recommended operating conditions (unless otherwise noted)

| PARAMETER | | TEST CONDITIONS | | MIN | TYP | MAX | UNIT |
|-------------------|--|---|--|---------------------|------------|------|---------------|
| $ V_{Odl} $ | Driver differential output voltage magnitude | RS-485 with common-mode load, $V_{CC} > 4.75\text{ V}$, See Figure 1 | | 1.37 | | | V |
| | | $R_L = 54\ \Omega$, $4.75\text{ V} \leq V_{CC} \leq 5.25\text{ V}$ | | 1.5 | 2 | | |
| | | $R_L = 100\ \Omega$, $4.75\text{ V} \leq V_{CC} \leq 5.25\text{ V}$ | | 2 | 2.5 | | |
| $\Delta V_{Odl} $ | Change in magnitude of driver differential output voltage | $R_L = 54\ \Omega$ | | -0.2 | 0 | 0.2 | V |
| $V_{OC(SS)}$ | Steady-state common-mode output voltage | | | 1 | $V_{CC}/2$ | 3 | V |
| ΔV_{OC} | Change in differential driver output common-mode voltage | | | -100 | 0 | 100 | mV |
| $V_{OC(PP)}$ | Peak-to-peak driver common-mode output voltage | Center of two 27- Ω load resistors, See Figure 2 | | | 500 | | mV |
| C_{OD} | Differential output capacitance | | | | 23 | | pF |
| V_{IT+} | Positive-going receiver differential input voltage threshold | $V_{CM} = -20\text{ V to } 25\text{ V}$ | | | -100 | -10 | mV |
| V_{IT-} | Negative-going receiver differential input voltage threshold | | | -205 | -150 | mV | |
| V_{HYS} | Receiver differential input voltage threshold hysteresis ($V_{IT+} - V_{IT-}$) | | | 30 | 50 | mV | |
| V_{OH} | Receiver high-level output voltage | $I_{OH} = -8\text{ mA}$ | | 2.4 | V_{CC} | -0.3 | V |
| | | $I_{OH} = -400\ \mu\text{A}$ | | 4 | | | |
| V_{OL} | Receiver low-level output voltage | $I_{OL} = 8\text{ mA}$ | | | 0.2 | 0.5 | V |
| I_I | Driver input, driver enable, and receiver enable input current | | | -100 | | 100 | μA |
| I_{OZ} | Receiver output high-impedance current | $V_O = 0\text{ V or } V_{CC}$, \overline{RE} at V_{CC} | | -1 | | 1 | μA |
| I_{OS} | Driver short-circuit output current | | | -250 | | 250 | mA |
| I_I | Bus input current (disabled driver) | $V_{CC} = 4.5\text{ to } 5.5\text{ V or } V_{CC} = 0\text{ V, DE at } 0\text{ V}$ | | | 75 | 125 | μA |
| | | | | $V_I = 12\text{ V}$ | | | |
| | | | | $V_I = -7\text{ V}$ | -100 | -40 | |

ELECTRICAL CHARACTERISTICS (continued)

over recommended operating conditions (unless otherwise noted)

| PARAMETER | | TEST CONDITIONS | | MIN | TYP | MAX | UNIT |
|--------------------------|----------------------------|-------------------------------------|---|---|-----|-----|------|
| I_{CC} | Supply current (quiescent) | Driver and receiver enabled | DE = V_{CC} , RE = GND, no load | | 4 | 6.3 | mA |
| | | Driver enabled, receiver disabled | DE = V_{CC} , RE = V_{CC} , no load | | 3 | 5.2 | |
| | | Driver disabled, receiver enabled | DE = GND, RE = GND, no load | | 2 | 4.3 | |
| | | Driver and receiver disabled | DE = GND, D = open RE = V_{CC} , no load | $T_J = -40^{\circ}\text{C}$ to 105°C | | 0.5 | 5.2 |
| | | $T_J = 150^{\circ}\text{C}$ | | 15 | 29 | | |
| Supply current (dynamic) | | See TYPICAL CHARACTERISTICS section | | | | | |

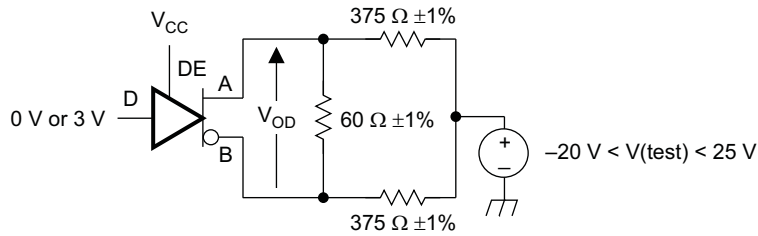
SWITCHING CHARACTERISTICS

over recommended operating conditions (unless otherwise noted)

| PARAMETER | | TEST CONDITIONS | | MIN | TYP | MAX | UNIT | |
|--|---|--|--|-----|-----|-----|---------------|----|
| DRIVER | | | | | | | | |
| t_r, t_f | Driver differential output rise/fall time | $R_L = 54\ \Omega, C_L = 50\ \text{pF}$, See Figure 3 | | 50 | | 300 | ns | |
| t_{PHL}, t_{PLH} | Driver propagation delay | | | | | 200 | ns | |
| $t_{SK(P)}$ | Driver differential output pulse skew, $ t_{PHL} - t_{PLH} $ | | | | | 29 | ns | |
| t_{PHZ}, t_{PLZ} | Driver disable time | | See Figure 4 and Figure 5 | | | 3 | μs | |
| t_{PZH}, t_{PZL} | Driver enable time | Receiver enabled | | | | 300 | ns | |
| | | Receiver disabled | | | | 10 | μs | |
| | | Receiver enabled | $V_{CM} > V_{CC}$ | | 500 | | ns | |
| RECEIVER | | | | | | | | |
| t_r, t_f | Receiver output rise/fall time | $C_L = 15\ \text{pF}$, See Figure 6 | | | 4 | 15 | ns | |
| t_{PHL}, t_{PLH} | Receiver propagation delay time | | | | | 100 | 200 | ns |
| $t_{SK(P)}$ | Receiver output pulse skew, $ t_{PHL} - t_{PLH} $ | | | | | 6 | 20 | ns |
| t_{PLZ}, t_{PHZ} | Receiver disable time | Driver enabled, See Figure 7 | | | 15 | 100 | ns | |
| $t_{PZL(1)}, t_{PZH(1)}$ $t_{PZL(2)}, t_{PZH(2)}$ | Receiver enable time | Driver enabled, See Figure 7 | | | 80 | 300 | ns | |
| | | Driver disabled, See Figure 8 | | | 3 | 9 | μs | |

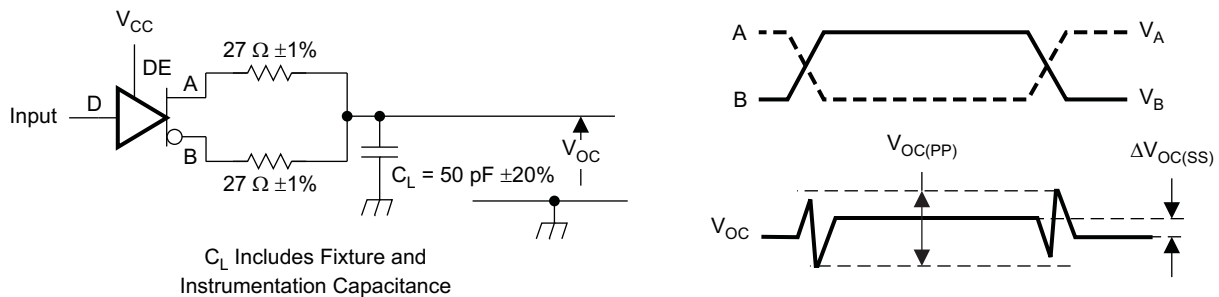
PARAMETER MEASUREMENT INFORMATION

Input generator rate is 100 kbps, 50% duty cycle, rise and fall times less than 6 nsec, output impedance 50 Ω.



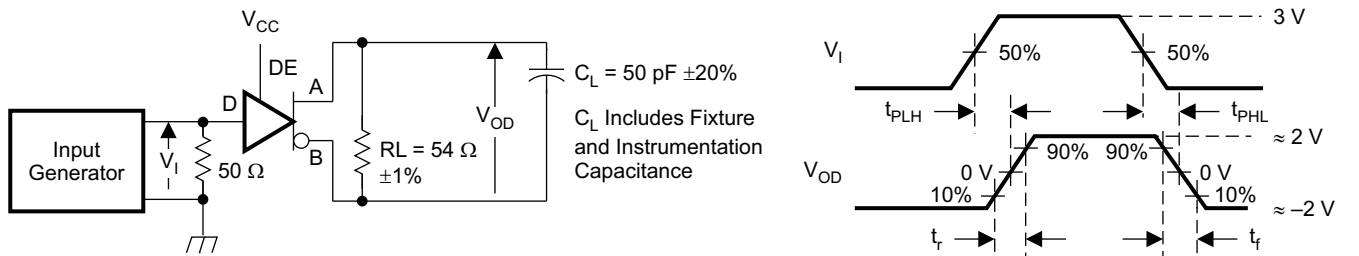
S0301-01

Figure 1. Measurement of Driver Differential Output Voltage With Common-Mode Load



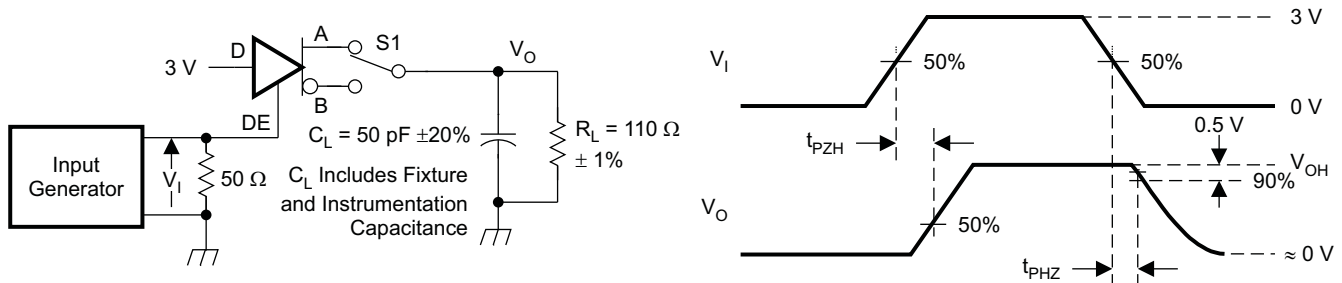
S0302-01

Figure 2. Measurement of Driver Differential and Common-Mode Output With RS-485 Load



S0303-01

Figure 3. Measurement of Driver Differential Output Rise and Fall Times and Propagation Delays



S0304-01

NOTE: D at 3 V to test non-inverting output, D at 0 V to test inverting output.

Figure 4. Measurement of Driver Enable and Disable Times With Active High Output and Pulldown Load

PARAMETER MEASUREMENT INFORMATION (continued)

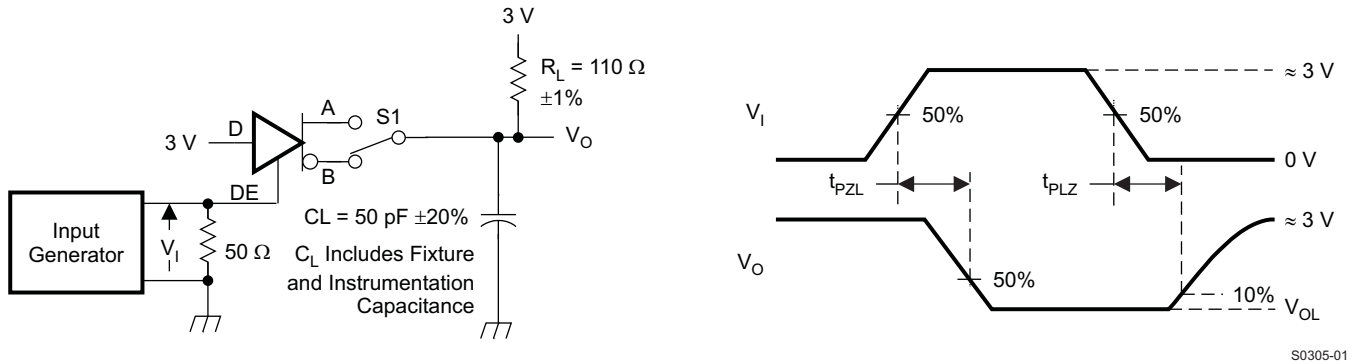


Figure 5. Measurement of Driver Enable and Disable Times With Active-Low Output and Pullup Load

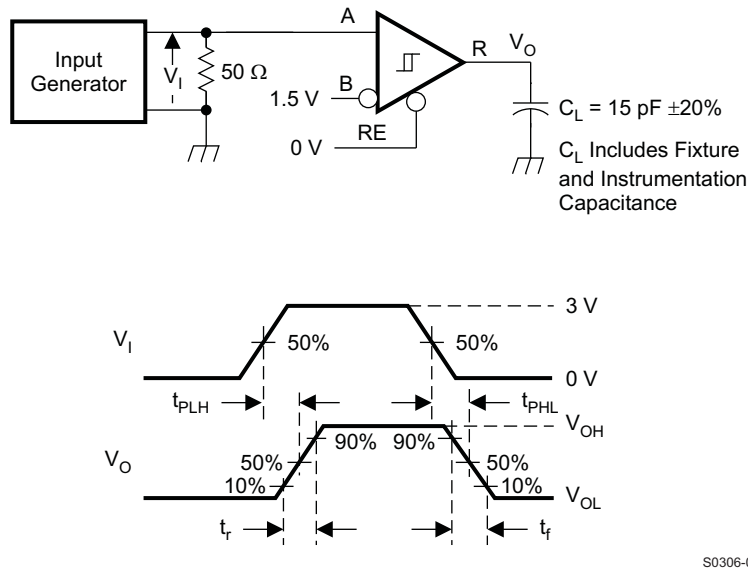
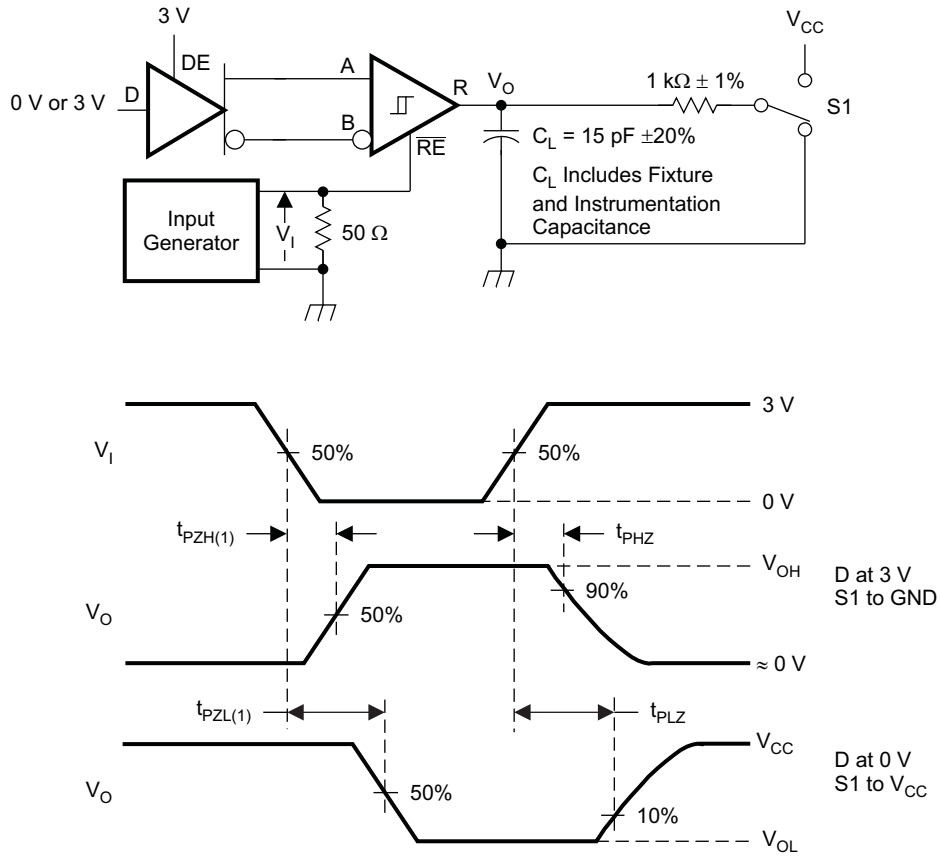


Figure 6. Measurement of Receiver Output Rise and Fall Times and Propagation Delays

PARAMETER MEASUREMENT INFORMATION (continued)



S0307-01

Figure 7. Measurement of Receiver Enable/Disable Times With Driver Enabled

PARAMETER MEASUREMENT INFORMATION (continued)

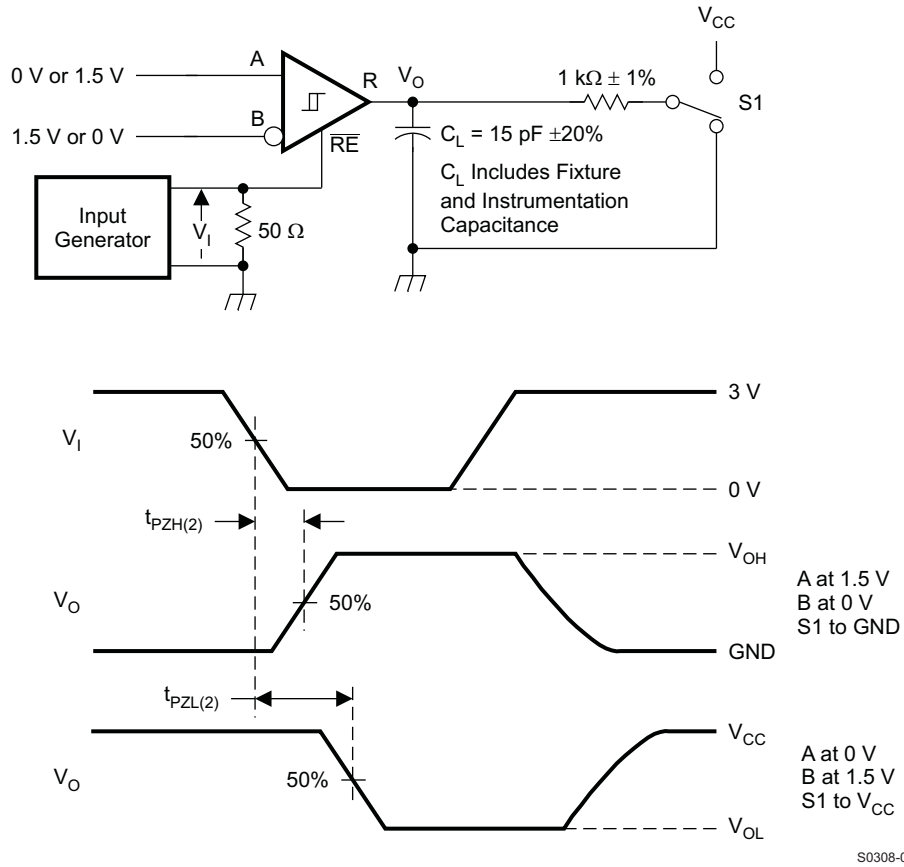


Figure 8. Measurement of Receiver Enable Times With Driver Disabled

TYPICAL CHARACTERISTICS

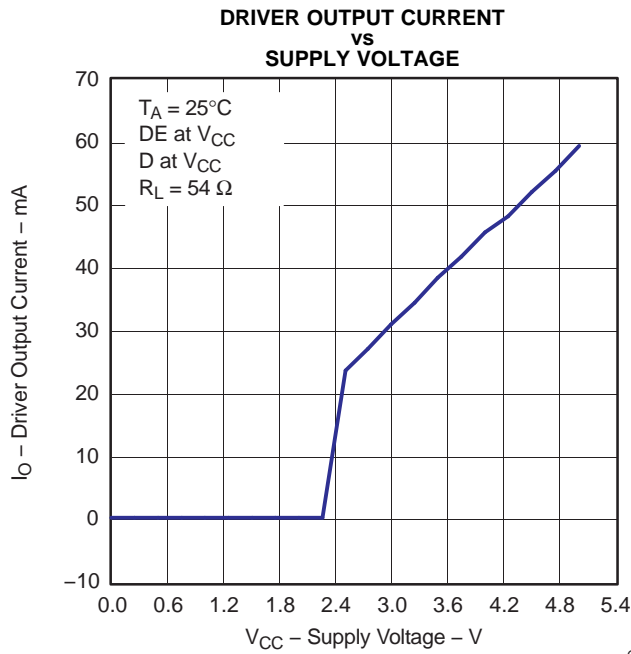


Figure 9.

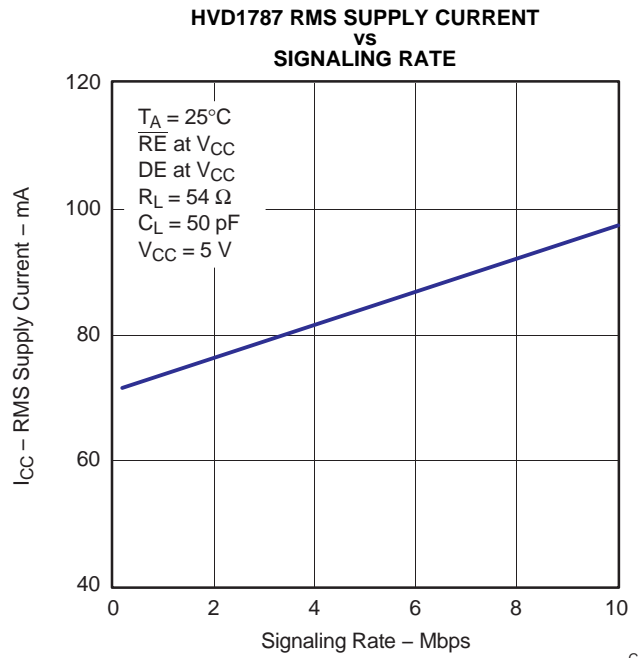


Figure 10.

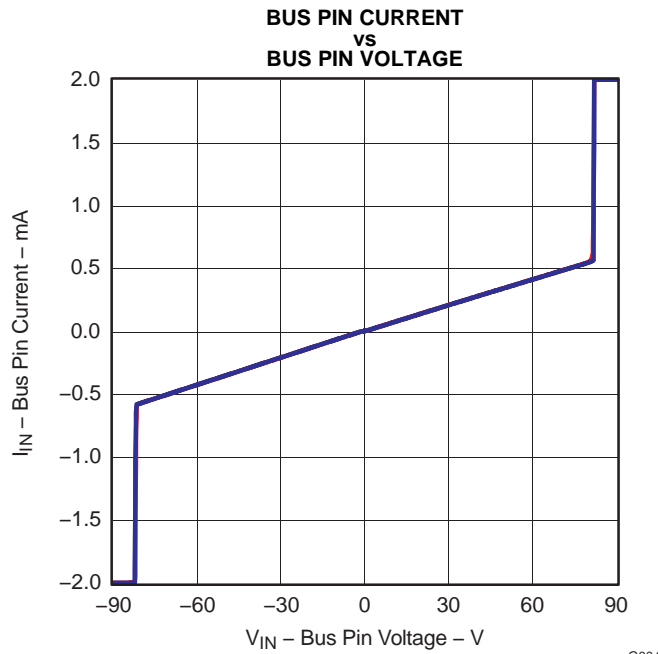


Figure 11.

TYPICAL CHARACTERISTICS (continued)
DIFFERENTIAL OUTPUT VOLTAGE
vs
DIFFERENTIAL LOAD CURRENT

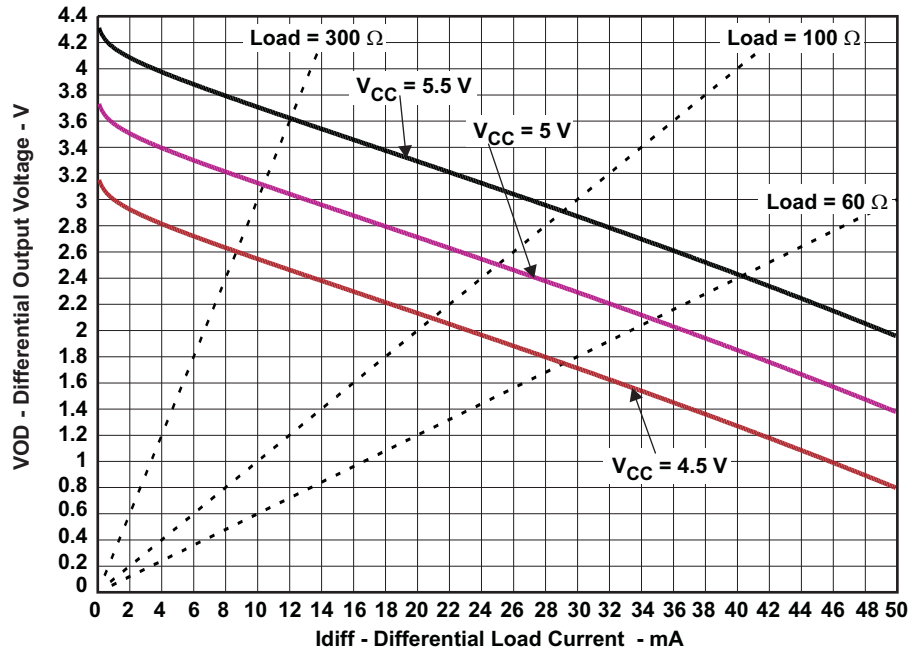


Figure 12.

ADDITIONAL OPTIONS

The SN65HVD1792 also has options for J1708 applications, for always-enabled full-duplex versions (industry-standard SN65LBC179 footprint) and for inverting-polarity versions, which allow users to correct a reversal of the bus wires without re-wiring. Contact your local Texas Instruments representative for information on these options.

| PART NUMBER | SN65HVD1792 | | |
|---|-------------|--------|------|
| | SLOW | MEDIUM | FAST |
| Half-duplex (176 pinout) | 85 | 86 | 87 |
| Full-duplex no enables (179 pinout) | 88 | 89 | 90 |
| Full-duplex with enables (180 pinout) | 91 | 92 | 93 |
| Half-duplex with cable invert | 94 | 95 | 96 |
| Full-duplex with cable invert and enables | 97 | 98 | 99 |
| J1708 | 08 | 09 | 10 |

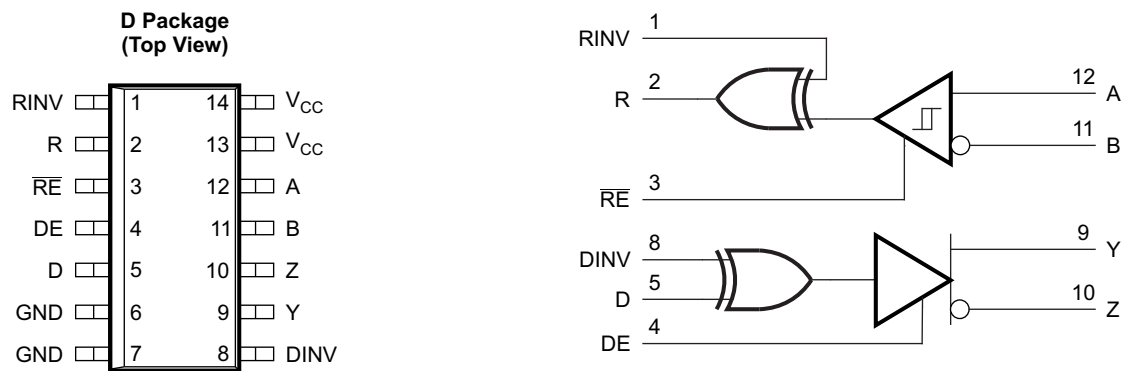


Figure 13. SN65HVD1792 With Inverting Feature to Correct for Miswired Cables

APPLICATION INFORMATION

Hot-Plugging

The SN65HVD1792 is designed to operate in "hot swap" or "hot pluggable" applications. Key features for hot-pluggable applications are power-up, power-down glitch free operation, default disabled input/output pins, and receiver failsafe. As shown in Figure 9, an internal Power-On Reset circuit keeps the driver outputs in a high-impedance state until the supply voltage has reached a level at which the device will reliably operate. This ensures that no spurious transitions (glitches) will occur on the bus pin outputs as the power supply turns on or turns off.

As shown in the device **FUNCTION TABLE**, the *ENABLE* inputs have the feature of default disable on both the driver enable and receiver enable. This ensures that the device will neither drive the bus nor report data on the R pin until the associated controller actively drives the enable pins.

Receiver Failsafe

The differential receiver is “failsafe” to invalid bus states caused by:

- open bus conditions such as a disconnected connector,
- shorted bus conditions such as cable damage shorting the twisted-pair together,
- or idle bus conditions that occur when no driver on the bus is actively driving.

In any of these cases, the differential receiver outputs a failsafe logic High state, so that the output of the receiver is not indeterminate.

In the SN65HVD1792, receiver failsafe is accomplished by offsetting the receiver thresholds so that the “input indeterminate” range does not include zero volts differential. In order to comply with the RS-422 and RS-485 standards, the receiver output must output a High when the differential input V_{ID} is more positive than 200 mV, and must output a Low when the V_{ID} is more negative than -200 mV. The SN65HVD1792 receiver parameters which determine the failsafe performance are V_{IT+} and V_{IT-} and V_{HYS} . In the *Electrical Characteristics* table, V_{IT-} has a typical value of -150 mV and a minimum (most negative) value of -200 mV, so differential signals more negative than -200 mV will always cause a Low receiver output. Similarly, differential signals more positive than 200 mV will always cause a High receiver output, because the typical value of V_{IT+} is -100mV, and V_{IT+} is never more positive than -10 mV under any conditions of temperature, supply voltage, or common-mode offset.

When the differential input signal is close to zero, it will still be above the V_{IT+} threshold, and the receiver output will be High. Only when the differential input is more negative than V_{IT-} will the receiver output transition to a Low state. So, the noise immunity of the receiver inputs during a bus fault condition includes the receiver hysteresis value V_{HYS} (the separation between V_{IT+} and V_{IT-}) as well as the value of V_{IT+} .

For the SN65HVD1792, the typical noise immunity is typically about 150 mV, which is the negative noise level needed to exceed the V_{IT-} threshold (V_{IT-} TYP = -150 mV). In the worst case, the failsafe noise immunity is never less than 40 mV, which is set by the maximum positive threshold (V_{IT+} MAX = -10mV) plus the minimum hysteresis voltage (V_{HYS} MIN = 30 mV).

70-V Fault-Protection

The SN65HVD1792 is designed to survive bus pin faults up to $\pm 70V$. The devices designed for fast signaling rate (10 Mbps) will not survive a bus pin fault with a direct short to voltages above 30V when:

1. the device is powered on AND
 - 2a. the driver is enabled (DE=HIGH) AND D=HIGH AND the bus fault is applied to the A pin OR
 - 2b. the driver is enabled (DE=HIGH) AND D=LOW AND the bus fault is applied to the B pin

Under other conditions, the device will survive shorts to bus pin faults up to 70V. [Table 1](#) summarizes the conditions under which the device may be damaged, and the conditions under which the device will not be damaged.

Table 1. Device Conditions

| POWER | DE | D | A | B | RESULTS |
|-------|----|---|--------------------|--------------------|------------------|
| OFF | X | X | $-70V < V_A < 70V$ | $-70V < V_B < 70V$ | Device survives |
| ON | LO | X | $-70V < V_A < 70V$ | $-70V < V_B < 70V$ | Device survives |
| ON | HI | L | $-70V < V_A < 70V$ | $-70V < V_B < 30V$ | Device survives |
| ON | HI | L | $-70V < V_A < 70V$ | $30V < V_B$ | Damage may occur |
| ON | HI | H | $-70V < V_A < 30V$ | $-70V < V_B < 30V$ | Device survives |
| ON | HI | H | $30V < V_A$ | $-70V < V_B < 30V$ | Damage may occur |

PACKAGING INFORMATION

| Orderable Device | Status (1) | Package Type | Package Drawing | Pins | Package Qty | Eco Plan (2) | Lead finish/ Ball material (6) | MSL Peak Temp (3) | Op Temp (°C) | Device Marking (4/5) | Samples |
|------------------|---------------|--------------|-----------------|------|-------------|-----------------|--------------------------------------|----------------------|--------------|-------------------------|-------------------------|
| SN65HVD1792TDEP | ACTIVE | SOIC | D | 14 | 50 | RoHS & Green | NIPDAU | Level-1-260C-UNLIM | -40 to 105 | 1792EP | Samples |
| SN65HVD1792TDREP | ACTIVE | SOIC | D | 14 | 2500 | RoHS & Green | NIPDAU | Level-1-260C-UNLIM | -40 to 105 | 1792EP | Samples |
| V62/13620-01XE | ACTIVE | SOIC | D | 14 | 2500 | RoHS & Green | NIPDAU | Level-1-260C-UNLIM | -40 to 105 | 1792EP | Samples |
| V62/13620-01XE-T | ACTIVE | SOIC | D | 14 | 50 | RoHS & Green | NIPDAU | Level-1-260C-UNLIM | -40 to 105 | 1792EP | Samples |

(1) The marketing status values are defined as follows:

ACTIVE: Product device recommended for new designs.

LIFEBUY: TI has announced that the device will be discontinued, and a lifetime-buy period is in effect.

NRND: Not recommended for new designs. Device is in production to support existing customers, but TI does not recommend using this part in a new design.

PREVIEW: Device has been announced but is not in production. Samples may or may not be available.

OBSOLETE: TI has discontinued the production of the device.

(2) **RoHS:** TI defines "RoHS" to mean semiconductor products that are compliant with the current EU RoHS requirements for all 10 RoHS substances, including the requirement that RoHS substance do not exceed 0.1% by weight in homogeneous materials. Where designed to be soldered at high temperatures, "RoHS" products are suitable for use in specified lead-free processes. TI may reference these types of products as "Pb-Free".

RoHS Exempt: TI defines "RoHS Exempt" to mean products that contain lead but are compliant with EU RoHS pursuant to a specific EU RoHS exemption.

Green: TI defines "Green" to mean the content of Chlorine (Cl) and Bromine (Br) based flame retardants meet JS709B low halogen requirements of <=1000ppm threshold. Antimony trioxide based flame retardants must also meet the <=1000ppm threshold requirement.

(3) MSL, Peak Temp. - The Moisture Sensitivity Level rating according to the JEDEC industry standard classifications, and peak solder temperature.

(4) There may be additional marking, which relates to the logo, the lot trace code information, or the environmental category on the device.

(5) Multiple Device Markings will be inside parentheses. Only one Device Marking contained in parentheses and separated by a "-" will appear on a device. If a line is indented then it is a continuation of the previous line and the two combined represent the entire Device Marking for that device.

(6) Lead finish/Ball material - Orderable Devices may have multiple material finish options. Finish options are separated by a vertical ruled line. Lead finish/Ball material values may wrap to two lines if the finish value exceeds the maximum column width.

Important Information and Disclaimer:The information provided on this page represents TI's knowledge and belief as of the date that it is provided. TI bases its knowledge and belief on information provided by third parties, and makes no representation or warranty as to the accuracy of such information. Efforts are underway to better integrate information from third parties. TI has taken and

continues to take reasonable steps to provide representative and accurate information but may not have conducted destructive testing or chemical analysis on incoming materials and chemicals. TI and TI suppliers consider certain information to be proprietary, and thus CAS numbers and other limited information may not be available for release.

In no event shall TI's liability arising out of such information exceed the total purchase price of the TI part(s) at issue in this document sold by TI to Customer on an annual basis.

OTHER QUALIFIED VERSIONS OF SN65HVD1792-EP :

- Catalog: [SN65HVD1792](#)

NOTE: Qualified Version Definitions:

- Catalog - TI's standard catalog product

TAPE AND REEL INFORMATION

QUADRANT ASSIGNMENTS FOR PIN 1 ORIENTATION IN TAPE


*All dimensions are nominal

| Device | Package Type | Package Drawing | Pins | SPQ | Reel Diameter (mm) | Reel Width W1 (mm) | A0 (mm) | B0 (mm) | K0 (mm) | P1 (mm) | W (mm) | Pin1 Quadrant |
|------------------|--------------|-----------------|------|------|--------------------|--------------------|---------|---------|---------|---------|--------|---------------|
| SN65HVD1792TDREP | SOIC | D | 14 | 2500 | 330.0 | 16.4 | 6.5 | 9.0 | 2.1 | 8.0 | 16.0 | Q1 |

TAPE AND REEL BOX DIMENSIONS


*All dimensions are nominal

| Device | Package Type | Package Drawing | Pins | SPQ | Length (mm) | Width (mm) | Height (mm) |
|------------------|--------------|-----------------|------|------|-------------|------------|-------------|
| SN65HVD1792TDREP | SOIC | D | 14 | 2500 | 356.0 | 356.0 | 35.0 |

TUBE


*All dimensions are nominal

| Device | Package Name | Package Type | Pins | SPQ | L (mm) | W (mm) | T (μm) | B (mm) |
|------------------|--------------|--------------|------|-----|--------|--------|--------|--------|
| SN65HVD1792TDEP | D | SOIC | 14 | 50 | 506.6 | 8 | 3940 | 4.32 |
| V62/13620-01XE-T | D | SOIC | 14 | 50 | 506.6 | 8 | 3940 | 4.32 |

D (R-PDSO-G14)

PLASTIC SMALL OUTLINE



- NOTES:
- A. All linear dimensions are in inches (millimeters).
 - B. This drawing is subject to change without notice.
 - Body length does not include mold flash, protrusions, or gate burrs. Mold flash, protrusions, or gate burrs shall not exceed 0.006 (0,15) each side.
 - Body width does not include interlead flash. Interlead flash shall not exceed 0.017 (0,43) each side.
 - E. Reference JEDEC MS-012 variation AB.

D (R-PDSO-G14)

PLASTIC SMALL OUTLINE



4211283-3/E 08/12

- NOTES:
- All linear dimensions are in millimeters.
 - This drawing is subject to change without notice.
 - Publication IPC-7351 is recommended for alternate designs.
 - Laser cutting apertures with trapezoidal walls and also rounding corners will offer better paste release. Customers should contact their board assembly site for stencil design recommendations. Refer to IPC-7525 for other stencil recommendations.
 - Customers should contact their board fabrication site for solder mask tolerances between and around signal pads.

IMPORTANT NOTICE AND DISCLAIMER

TI PROVIDES TECHNICAL AND RELIABILITY DATA (INCLUDING DATA SHEETS), DESIGN RESOURCES (INCLUDING REFERENCE DESIGNS), APPLICATION OR OTHER DESIGN ADVICE, WEB TOOLS, SAFETY INFORMATION, AND OTHER RESOURCES "AS IS" AND WITH ALL FAULTS, AND DISCLAIMS ALL WARRANTIES, EXPRESS AND IMPLIED, INCLUDING WITHOUT LIMITATION ANY IMPLIED WARRANTIES OF MERCHANTABILITY, FITNESS FOR A PARTICULAR PURPOSE OR NON-INFRINGEMENT OF THIRD PARTY INTELLECTUAL PROPERTY RIGHTS.

These resources are intended for skilled developers designing with TI products. You are solely responsible for (1) selecting the appropriate TI products for your application, (2) designing, validating and testing your application, and (3) ensuring your application meets applicable standards, and any other safety, security, regulatory or other requirements.

These resources are subject to change without notice. TI grants you permission to use these resources only for development of an application that uses the TI products described in the resource. Other reproduction and display of these resources is prohibited. No license is granted to any other TI intellectual property right or to any third party intellectual property right. TI disclaims responsibility for, and you will fully indemnify TI and its representatives against, any claims, damages, costs, losses, and liabilities arising out of your use of these resources.

TI's products are provided subject to [TI's Terms of Sale](#) or other applicable terms available either on ti.com or provided in conjunction with such TI products. TI's provision of these resources does not expand or otherwise alter TI's applicable warranties or warranty disclaimers for TI products.

TI objects to and rejects any additional or different terms you may have proposed.

Mailing Address: Texas Instruments, Post Office Box 655303, Dallas, Texas 75265
Copyright © 2022, Texas Instruments Incorporated