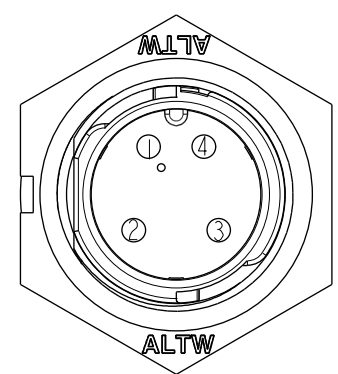
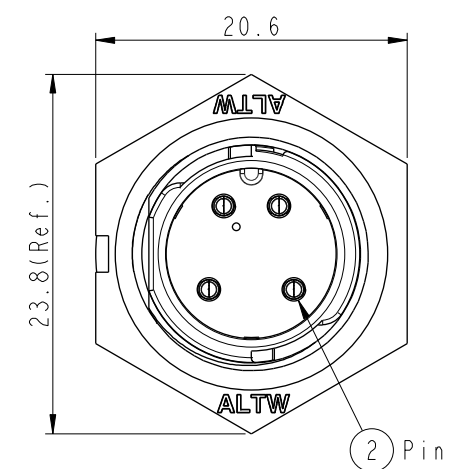
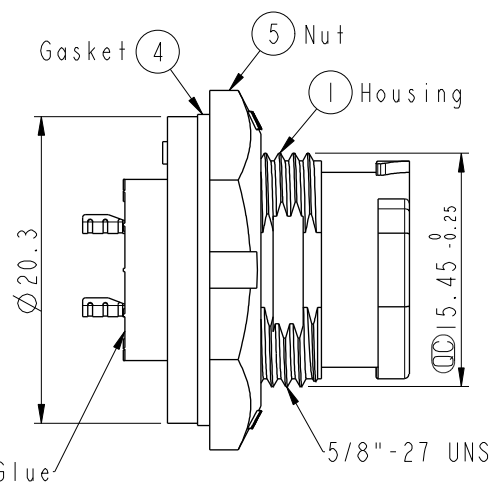
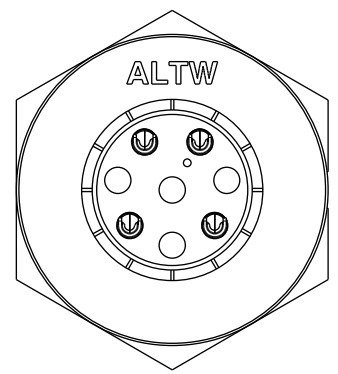


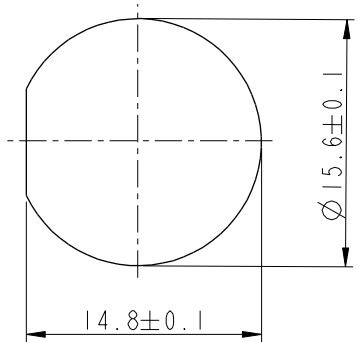
THIS DOCUMENT IS SUBJECT TO CHANGE WITHOUT NOTICE. IT IS CONFIDENTIAL AND A PROPERTY OF Amphenol LTW. DISCLOSURE TO THIRD PARTY HAS TO BE AUTHORIZED BY Amphenol LTW.

| REV. | ECN NO. | DATE       | SIGN  | DESCRIPTION |
|------|---------|------------|-------|-------------|
| B    | C190411 | 2019/03/19 | Vicky | Change Note |

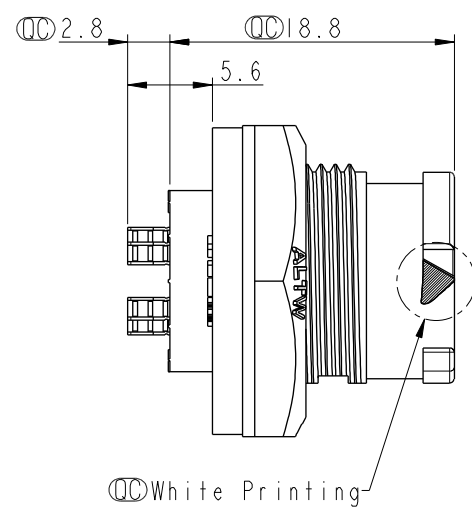
**ALTW**  
 CONFIDENTIAL  
 2019-03-19  
 R&D DEPT.



Pin Assignments  
Front View

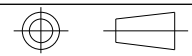


Recommended Panel Cut-out



- Note:**
- \*  $\phi$  Important Dimension To Check.
  - \* Waterproof Rate: IP68, Unmated. In 1 meter water within 24 hours
  - \* Housing: Thermoplastic, Black.
  - \* Pin: Copper Alloy, Gold Plated.
  - \* Nut: Thermoplastic, Black.
  - \* Gasket: Rubber, Gary.
  - \* Use Without Waterproof Cap Panel Thickness Max: 4.0mm
  - \* Use With Waterproof Cap Panel Thickness Max: 3.0mm
  - \* Gasket and Nut are packed separately in PE bags.

UNIT:mm  
TOLERANCE  
X ±0.25



|   |                |                        |  |
|---|----------------|------------------------|--|
| TITLE<br>X Lok B-Size Receptacle<br>Front Fastened M Conn M 4 Pin |                |                        |  |
| SCALE<br>2:1  | SIZE<br>A4     | SHEET 1 OF 1           |  |
| REV.<br>B   | WC-REV.<br>A.4 | $\phi$ Inspection item |  |

**Amphenol LTW**  
 安費諾亮泰企業股份有限公司

|                             |                    |                    |
|-----------------------------|--------------------|--------------------|
| ITEM NO<br>BD-04PMMS-OC8001 | DRAWN BY<br>Vicky  | DATE<br>2019-03-19 |
| DWG NO<br>BD-04PMMS-OC8001  | CHECKED BY<br>Rita | DATE<br>2019-03-19 |
| CUSTOMER<br>ALTW            | APPROVED BY<br>Max | DATE<br>2019-03-19 |