



output coupler relay coupler, 1 CO, 24 V DC working range 0.7 to 1.25 x  
US enclosure width 6.2 mm spring-type terminal (push-in) thermal current 6  
A (see derating characteristic)

|   |   |
|---|---|
| <b>product brand name</b>   | SIRIUS  |
| <b>product category</b>   | SIRIUS 3RQ3 coupling relays in slim design      |
| <b>product designation</b>  | Coupling relays with relay output (not plug-in) |
| <b>design of the product</b>  | Output coupling link                            |
| <b>product type designation</b>   | 3RQ3  |
| <b>General technical data</b>   |   |
| <b>display version LED</b>  | Yes   |
| <b>product component</b>  | Yes   |
| • relay output  | Yes   |
| • semi-conductor output   | No  |
| <b>consumed active power</b>  | 0.3 W   |
| insulation voltage for overvoltage category III according to IEC 60664 with degree of pollution 3 rated value | 300 V   |
| <b>surge voltage resistance rated value</b>   | 4 kV  |
| <b>maximum permissible voltage for safe isolation</b>   |   |
| • between control and auxiliary circuit   | 300 V   |
| <b>percental drop-out voltage related to the input voltage</b>  | 14.6 %  |
| <b>protection class IP</b>  | IP20  |
| <b>shock resistance</b>   |   |
| • for railway applications acc. to DIN EN 61373   | Category 1, Class B                             |
| <b>vibration resistance</b>   |   |
| • for railway applications acc. to DIN EN 61373   | Category 1, Class B                             |
| <b>operating frequency maximum</b>  | 72 000 1/h                                      |
| <b>switching behavior</b>   | monostable                                      |
| mechanical service life (switching cycles) typical  | 10 000 000                                      |
| <b>thermal current</b>  | 6 A; for derating see characteristics           |
| <b>reference code acc. to IEC 81346-2</b>   | K   |
| <b>Control circuit/ Control</b>   |   |
| <b>control supply voltage at DC</b>   |   |
| • rated value   | 24 V  |
| <b>operating range factor control supply voltage rated value at DC</b>  |   |
| • initial value   | 0.7   |
| • full-scale value  | 1.25  |
| <b>switch ON delay time</b>   |   |
| • at DC maximum   | 5 ms  |
| <b>OFF delay time</b>   | 10 ms   |
| <b>design of the relay operating mechanism</b>  | poled   |

|   |  |
|---|--|
| <b>product component plug-in socket</b>   | No   |
| <b>Short-circuit protection</b>   |  |
| design of the fuse link for short-circuit protection of the auxiliary switch required | fuse gG: 4 A   |
| <b>Auxiliary circuit</b>  |  |
| <b>type of switching contact</b>  | Changeover contact   |
| <b>material of switching contacts</b>   | AgSnO <sub>2</sub>   |
| number of CO contacts for auxiliary contacts  | 1  |
| <b>operational current of auxiliary contacts at AC-15</b>                             |  |
| • at 24 V   | 3 A  |
| • at 250 V  | 3 A  |
| <b>operational current of auxiliary contacts at DC-13</b>                             |  |
| • at 24 V   | 1 A  |
| • at 125 V  | 0.2 A  |
| • at 250 V  | 0.1 A  |
| <b>contact reliability of auxiliary contacts</b>                                      | one incorrect switching operation of 100 million switching operations (17 V, 5 mA) |
| <b>Main circuit</b>   |  |
| <b>type of voltage</b>  | DC   |
| <b>Inputs/ Outputs</b>  |  |
| <b>property of the output short-circuit proof</b>                                     | No   |
| <b>Outputs</b>  |  |
| ampacity of the output relay at AC-15 at 250 V at 50/60 Hz                            | 3 A  |
| <b>ampacity of the output relay at DC-13</b>  |  |
| • at 24 V   | 1 A  |
| • at 125 V  | 0.2 A  |
| • at 250 V  | 0.1 A  |
| <b>Electromagnetic compatibility</b>  |  |
| EMC emitted interference acc. to IEC 60947-1  | ambience A (industrial sector)   |
| <b>EMC immunity acc. to IEC 60947-1</b>   | corresponds to degree of severity 3  |
| <b>conducted interference</b>   |  |
| • due to burst acc. to IEC 61000-4-4  | 2 kV   |
| • due to conductor-earth surge acc. to IEC 61000-4-5                                  | 2 kV   |
| • due to conductor-conductor surge acc. to IEC 61000-4-5                              | 1 kV   |
| <b>field-based interference acc. to IEC 61000-4-3</b>                                 | 10 V/m   |
| <b>electrostatic discharge acc. to IEC 61000-4-2</b>                                  | 6 kV contact discharge / 8 kV air discharge  |
| <b>Display</b>  |  |
| display version as status display by LED  | LED green  |
| <b>Connections/ Terminals</b>   |  |
| product function removable terminal   | No   |
| type of electrical connection for auxiliary and control circuit                       | spring-loaded terminals (push-in)  |
| wire length   |  |
| • at DC maximum   | 1 000 m  |
| <b>type of connectable conductor cross-sections</b>                                   |  |
| • solid   | 1x (0.25 ... 2.5 mm <sup>2</sup> )   |
| • finely stranded with core end processing  | 1x (0.25 ... 1.5 mm <sup>2</sup> )   |
| • finely stranded without core end processing   | 1x (0.25 ... 2.5 mm <sup>2</sup> )   |
| • at AWG cables solid   | 1 x (20 ... 14)  |
| • at AWG cables stranded  | 1x (20 ... 14)   |
| • connectable conductor cross-section solid   | 0.25 ... 2.5 mm <sup>2</sup>   |
| • connectable conductor cross-section finely stranded with core end processing        | 0.25 ... 1.5 mm <sup>2</sup>   |
| • connectable conductor cross-section finely stranded without core end processing     | 0.25 ... 2.5 mm <sup>2</sup>   |
| • AWG number as coded connectable conductor cross section solid                       | 20 ... 14  |
| • AWG number as coded connectable conductor   | 20 ... 14  |

cross section stranded

| Installation/ mounting/ dimensions |                  |
|------------------------------------|------------------|
| mounting position                  | any              |
| fastening method                   | snap-on mounting |
| height                             | 93 mm            |
| width                              | 6.2 mm           |
| depth                              | 72.5 mm          |
| required spacing                   |                  |
| • with side-by-side mounting       |                  |
| — forwards                         | 0 mm             |
| — backwards                        | 0 mm             |
| — upwards                          | 0 mm             |
| — downwards                        | 0 mm             |
| — at the side                      | 0 mm             |
| • for grounded parts               |                  |
| — forwards                         | 0 mm             |
| — backwards                        | 0 mm             |
| — upwards                          | 0 mm             |
| — at the side                      | 0 mm             |
| — downwards                        | 0 mm             |
| • for live parts                   |                  |
| — forwards                         | 0 mm             |
| — backwards                        | 0 mm             |
| — upwards                          | 0 mm             |
| — downwards                        | 0 mm             |
| — at the side                      | 0 mm             |

| Ambient conditions                                      |                |
|---|----------------|
| installation altitude at height above sea level maximum | 2 000 m        |
| • ambient temperature during operation                  | -40 ... +70 °C |
| • ambient temperature during storage                    | -40 ... +85 °C |
| • ambient temperature during transport                  | -40 ... +85 °C |
| relative humidity during operation                      | 10 ... 95 %    |

| Certificates/ approvals  |     |
|--------------------------|-----|
| General Product Approval | EMC |



| Declaration of Conformity | Test Certificates | Marine / Shipping | other |
|---------------------------|-------------------|-------------------|-------|
|---------------------------|-------------------|-------------------|-------|

[Miscellaneous](#)



[Type Test Certificates/Test Report](#)



[Confirmation](#)

### Further information

Information- and Downloadcenter (Catalogs, Brochures,...)

<https://www.siemens.com/ic10>

Industry Mall (Online ordering system)

<https://mall.industry.siemens.com/mall/en/en/Catalog/product?mlfb=3RQ3018-2AM08-0AA0>

Cax online generator

<http://support.automation.siemens.com/WW/CAXorder/default.aspx?lang=en&mlfb=3RQ3018-2AM08-0AA0>

Service&Support (Manuals, Certificates, Characteristics, FAQs,...)

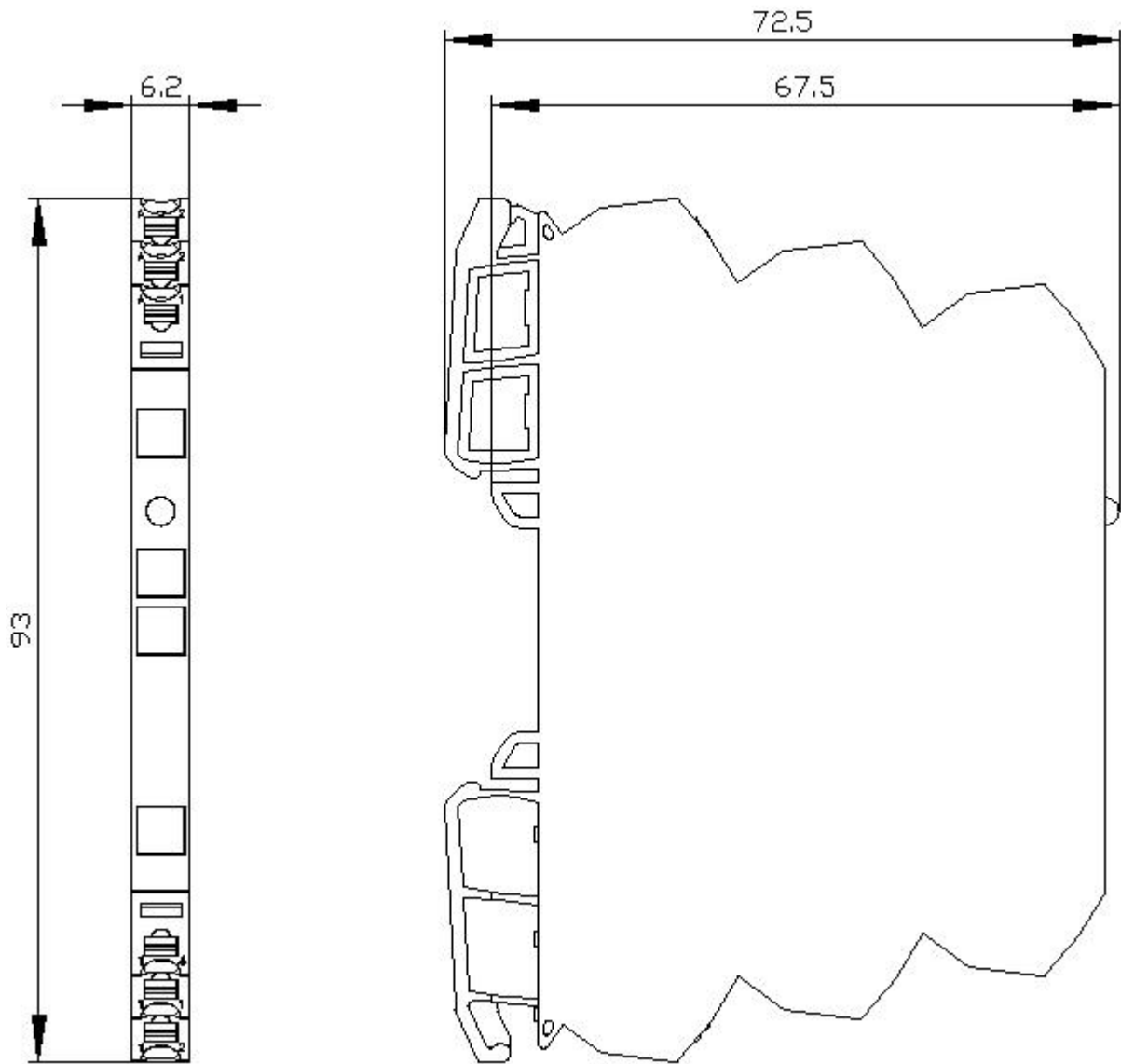
<https://support.industry.siemens.com/cs/ww/en/ps/3RQ3018-2AM08-0AA0>

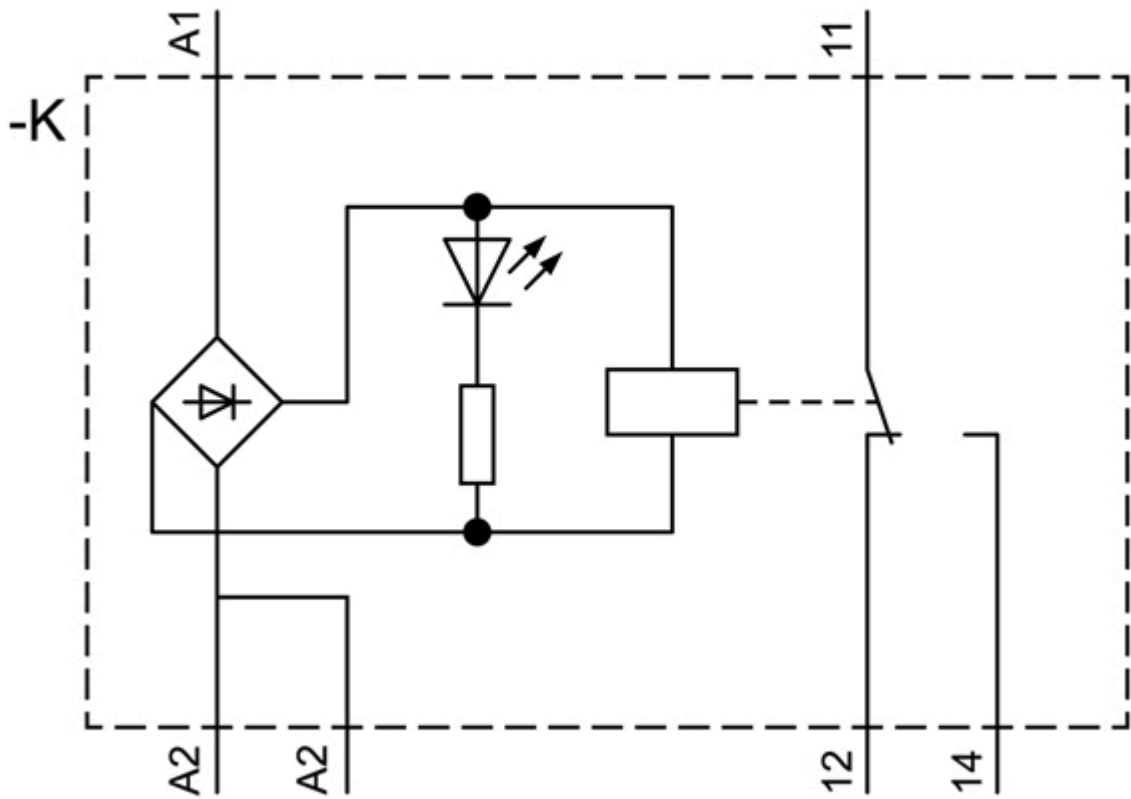
Image database (product images, 2D dimension drawings, 3D models, device circuit diagrams, EPLAN macros, ...)

[http://www.automation.siemens.com/bilddb/cax\\_de.aspx?mlfb=3RQ3018-2AM08-0AA0&lang=en](http://www.automation.siemens.com/bilddb/cax_de.aspx?mlfb=3RQ3018-2AM08-0AA0&lang=en)

Characteristic: Derating

<https://support.industry.siemens.com/cs/ww/en/ps/3RQ3018-2AM08-0AA0/manual>





last modified:

12/15/2020 