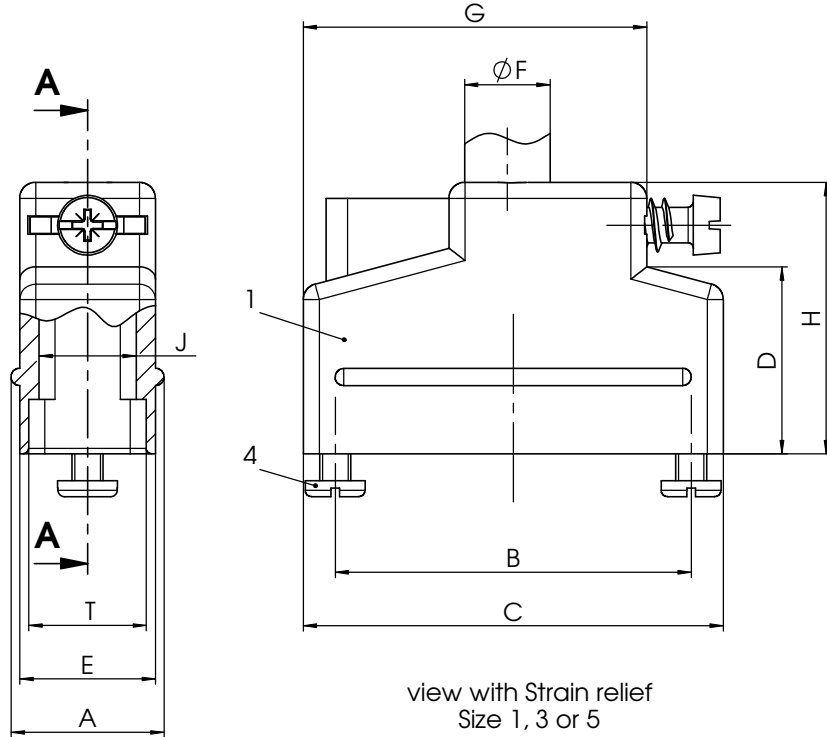
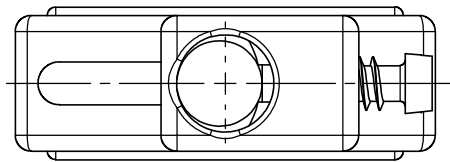


Order No.	Shell Size / for No. of Contacts	2				3			4			5					T	
		A	B	C	D	E	min.	max.	Strain relief	min.	max.	Strain relief	G	H	J	K		M
F-PHG-1	1 / 9	±0.3	±0.1	±0.3	±0.3	±0.3	5	9.1	Size 1	3.5	7	Size 2	±0.3	±0.3	±0.3	±0.3	±0.3	±0.3
F-PHG-2	2 / 15	14.3	33.3	39.3	17.5	12.7	5	9.1	Size 1	3.5	7	Size 2	28.9	25.4	8.8	20.1	16.5	11
F-PHG-3	3 / 25	14.3	47	53.2	22.5	12.7	5	9.1	Size 3	4	7	Size 4	43.6	31.7	8.8	42.3	20	11
F-PHG-4	4 / 37	14.3	63.5	69.4	29.8	12.7	5	9.1	Size 3	5	7	Size 4	54.7	38.1	8.8	58.8	26.1	11
F-PHG-5	5 / 50	17	61.1	67.1	29	15.5	5	11.9	Size 5	3.5	7	Size 6	54	38.1	11.2	56.4	25.4	13.2

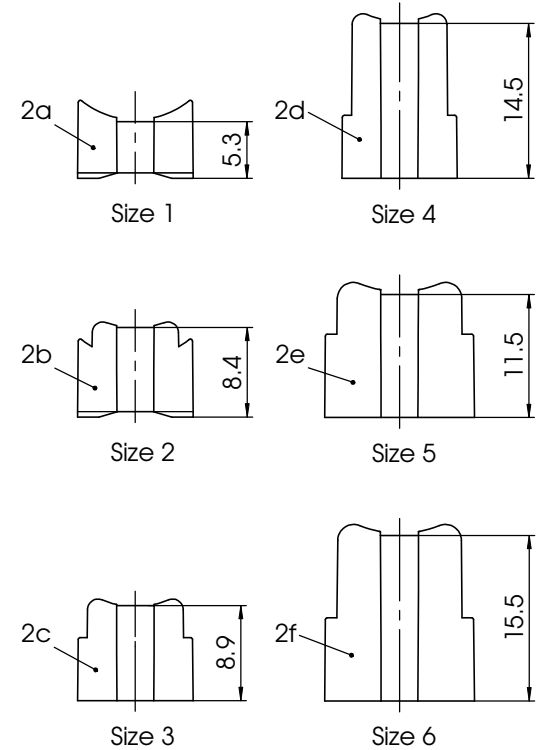
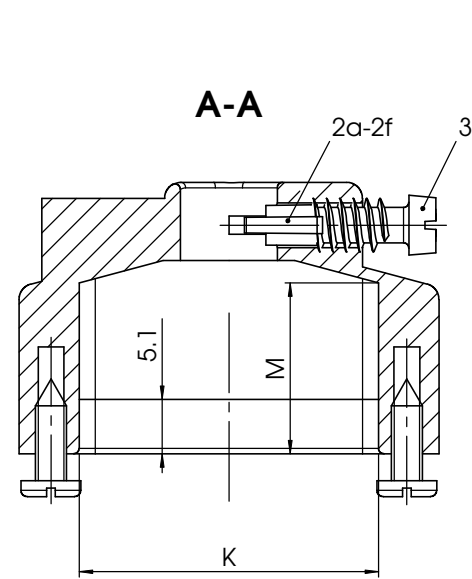
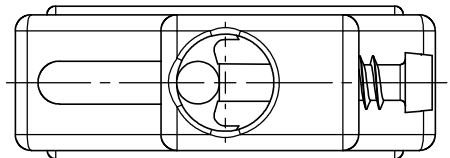
øF1 = Cable diameter for Strain relief Size 1, 3 or 5
 øF2 = Cable diameter for Strain relief Size 2, 4 or 6



view with Strain relief Size 1, 3 or 5



view with Strain relief Size 2, 4 or 6



① max. torque are 40 Ncm
 Part-No. 2a to 2f, 3 and 4 not mounted

No.	St.	Part	Type	Description/Material	Surface plating/Colour/Class
4	2	Connector mounting screw	Steel		nickel plated
3	1	Screw	Steel		nickel plated
2f	1	Strain relief	Size 6 / Polyester		grey
2e	1	Strain relief	Size 5 / Polyester		grey
2d	1	Strain relief	Size 4 / Polyester		grey
2c	1	Strain relief	Size 3 / Polyester		grey
2b	1	Strain relief	Size 2 / Polyester		grey
2a	1	Strain relief	Size 1 / Polyester		grey
1	1	Hood	F-PHG-1-5 / Polyester		grey

REV.	DATE	CH.-NO.	ORIGINAL: DIN A3-DRAWING AS A FILE	REPLACEMENT FOR:	F-PHG-1-5_SW	PAGES	1
2	23-10-2009	22419					
1	07-11-2008	22333					

	SCALE	2:1	TITLE	Plastic hood
	NAME / DATE	Michael Holze 28-07-2008		
	CHECKED	cschoening 23-10-2009		
DWG.NO.	F-PHG-1-5		REV.	2

COMMENT: ALL RIGHTS ARE RESERVED BY US FOR THIS DRAWING. WITHOUT OUR PRIOR CONSENT, IT IS NOT TO BE REPRODUCED OR TRANSMITTED IN ANY FORM OR BY ANY MEANS, AND IT ALSO MAY NOT BE IMPROPERLY USED BY THE RECEIVER, OR A THIRD PARTY.