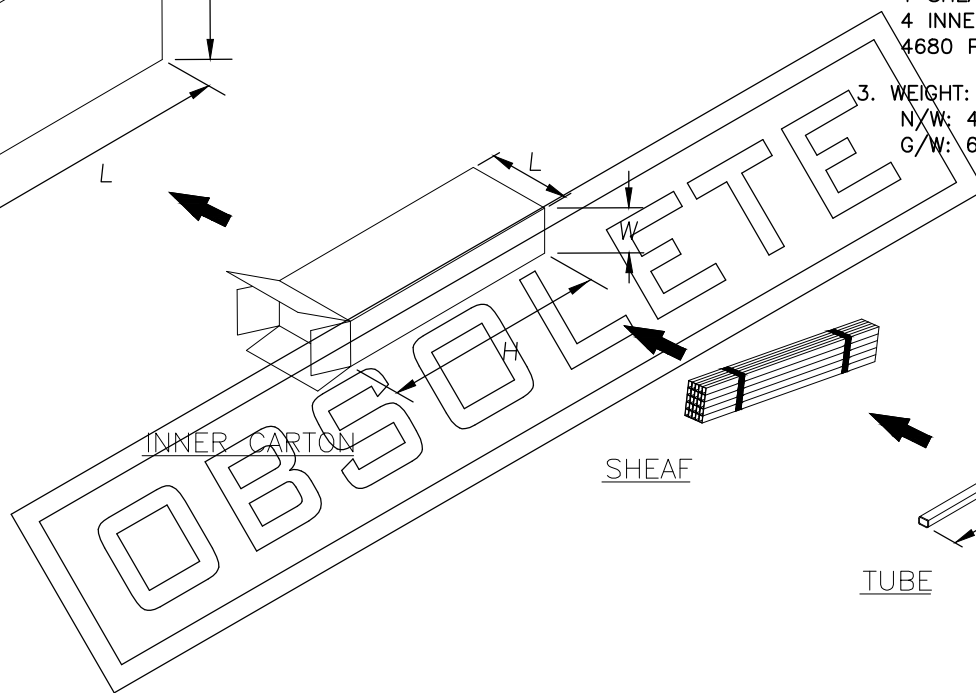
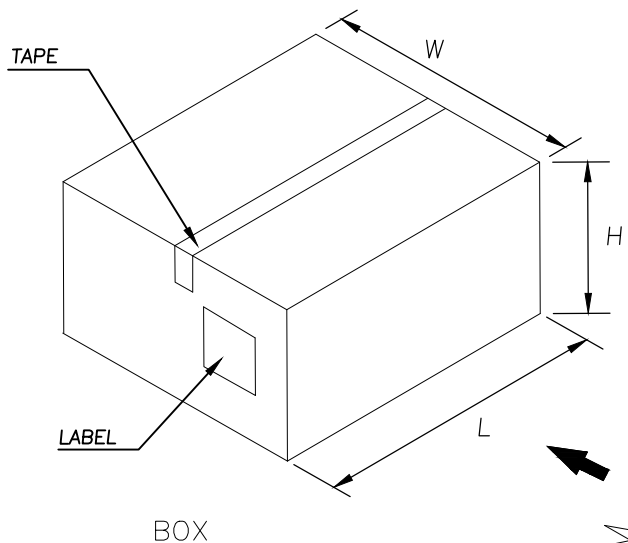


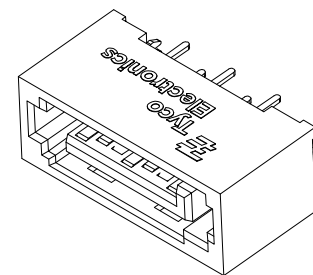


LOC	DIST	REVISIONS					
DW		P	LTR	DESCRIPTION	DATE	DWN	APVD
				SEE SHEET 1.			



NOTE:

- DIMENSION:  
 TUBE: L= 473, W= 13.4, H= 8.1  
 INNER CARTON: L= 485, W= 72, H= 86  
 CARTON: L= 500, W= 187, H= 169
- QUANTITY:  
 26 PCS/TUBE  
 45 TUBES/SHEAF  
 1 SHEAFS/INNER CARTON  
 4 INNER CARTONS/CARTON  
 4680 PCS/BOX
- WEIGHT:  
 N/W: 4.68 KG  
 G/W: 6.68 KG



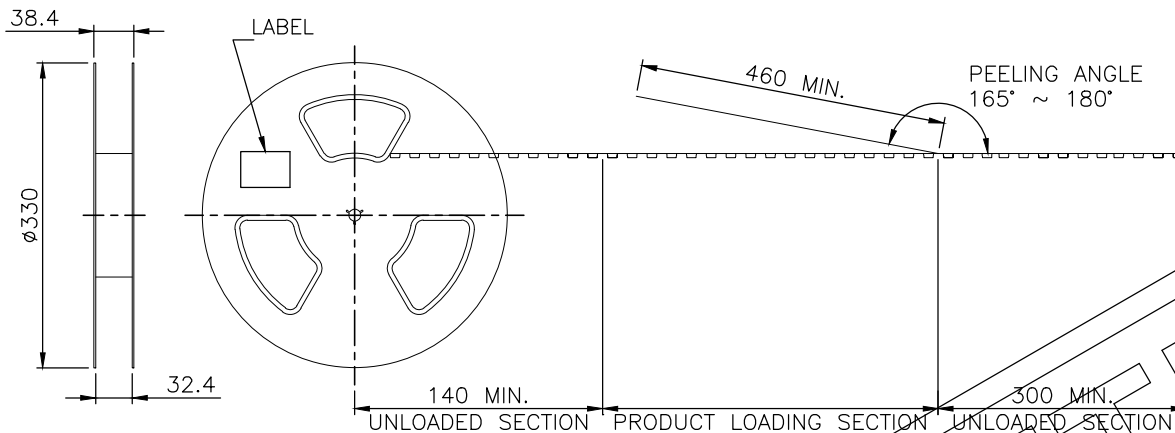
TUBE

CONNECTOR

THIS DRAWING IS A CONTROLLED DOCUMENT.		DWN	TE Connectivity	
DIMENSIONS: MM		CHK		
		APVD	NAME	
TOLERANCES UNLESS OTHERWISE SPECIFIED:		PRODUCT SPEC	SERIAL ATA CONNECTOR, 7 PIN, VERTICAL HEADER, B TYPE.	
0 PLC ± -		APPLICATION SPEC	SIZE	CAGE CODE
1 PLC ± -		WEIGHT	A3	00779
2 PLC ± -		CUSTOMER DRAWING	DRAWING NO	
3 PLC ± -		SCALE	C=1775058	
4 PLC ± -		SHEET	RESTRICTED TO	
ANGLES ± -		2 OF 3	-	
FINISH		REV	F4	

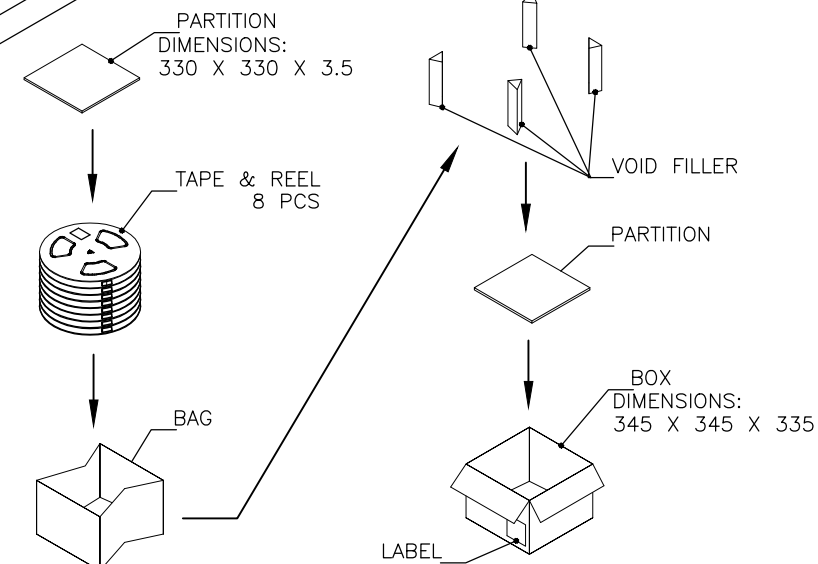
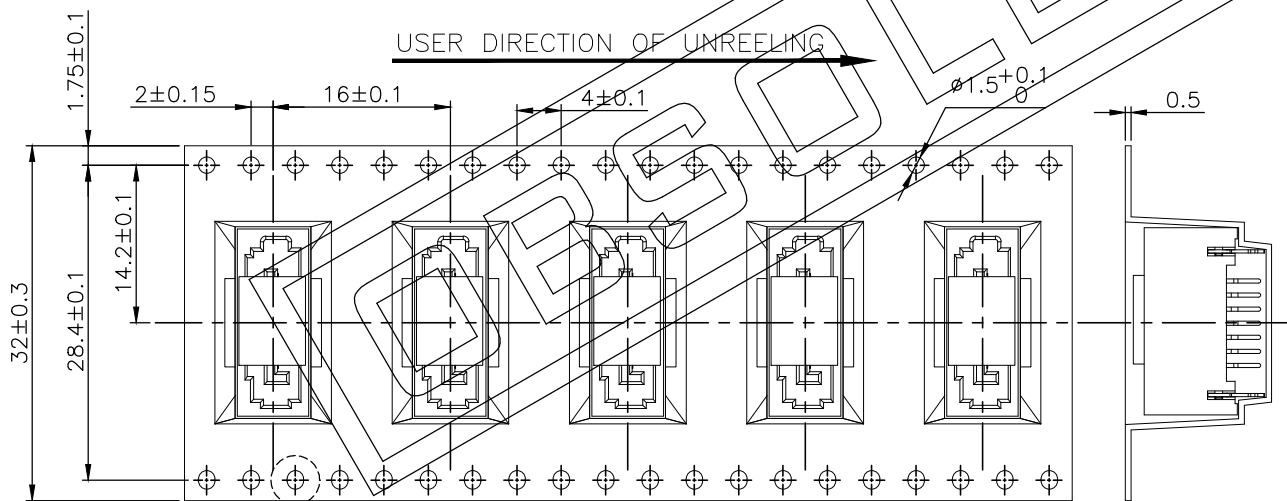
THIS DRAWING IS UNPUBLISHED. RELEASED FOR PUBLICATION AUG, 2006.  
 © COPYRIGHT 2011 BY TYCO ELECTRONICS CORPORATION. ALL RIGHTS RESERVED.

LOC	DIST	REVISIONS					
DW		P	LTR	DESCRIPTION	DATE	DWN	APVD
				SEE SHEET 1.			

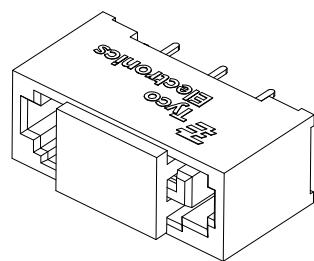
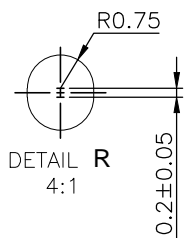


NOTES:

- MATERIAL:  
 BOX: FIBREBOARD, CORRUGATED, DOUBLE WALL.  
 COVER TAPE: PET, TRANSPARENT COLOR.  
 CARRIER TAPE: POLYSTYRENES, TRANSPARENT COLOR.  
 REEL: HIPS, BLUE COLOR.  
 BAG: POLYETHYLENES, TRANSPARENT COLOR.
- EACH BAG SHALL BE INCLUDED DESICCANT.
- PEELING STRENGTH: 0.1 ~ 1.3 N (10 ~ 130 GRAMS).
- PEELING SPEED: 300 mm/min.



DETAIL R



\_Flddx	8	300	<del>4-1775058-8</del>
0			<del>4-1775058-7</del>
			<del>4-1775058-5</del>
PCS/BOX	REELS/BOX	PCS/TAPE	PART NUMBER

THIS DRAWING IS A CONTROLLED DOCUMENT.

DIMENSIONS:		TOLERANCES UNLESS OTHERWISE SPECIFIED:	
MM			
	0 PLC	±	-
	1 PLC	±	-
	2 PLC	±	-
	3 PLC	±	-
	4 PLC	±	-
	ANGLES	±	-
MATERIAL	FINISH		

DWN	CHK	APVD	PRODUCT SPEC	APPLICATION SPEC	WEIGHT	CUSTOMER DRAWING

**TE** TE Connectivity

NAME: SERIAL ATA CONNECTOR, 7 PIN, VERTICAL HEADER, B TYPE.

SIZE	CAGE CODE	DRAWING NO	RESTRICTED TO
A3	00779	C=1775058	

SCALE: - SHEET: 3 OF 3 REV: F4