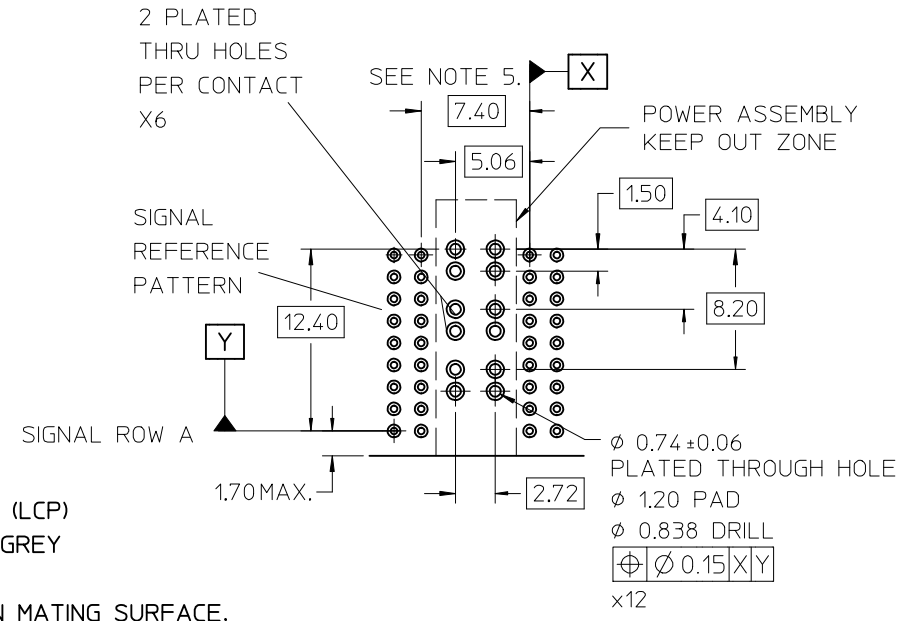


NOTES:

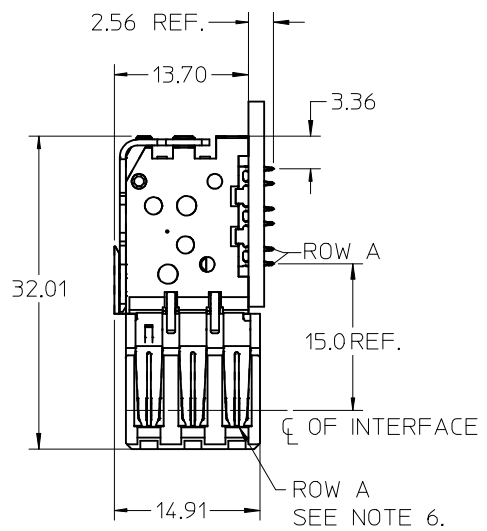
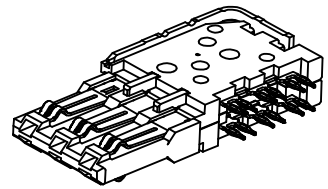
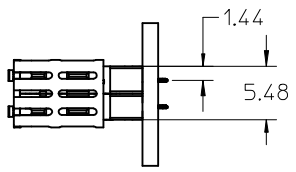
1. MATERIAL:
HOUSING: LIQUID CRYSTAL POLYMER (LCP)
UL94V-0 RATED, COLOR: GREY
CONTACT: COPPER ALLOY
2. FINISH: SELECT 30 μ INCH GOLD ON MATING SURFACE, MATTE TIN ON TAILS, NICKEL UNDERPLATE.
3. FINISH: SELECT 50 μ INCH GOLD ON MATING SURFACE, MATTE TIN ON TAILS, NICKEL UNDERPLATE.
4. MATES WITH 7533* BACKPLANE POWER ASSEMBLY.
5. FOR EACH ADDITIONAL POWER MODULE ADD 5.55 MM.
6. REMAINING ROWS ARE B, C IN THAT ORDER.



PART NUMBER	GOLD PLATING	
* 75292-3030	30μ IN	LEAD-FREE
* 75292-3050	50μ IN	LEAD-FREE
75292-3060	30μ IN	LEAD-FREE
75292-3080	50μ IN	LEAD-FREE

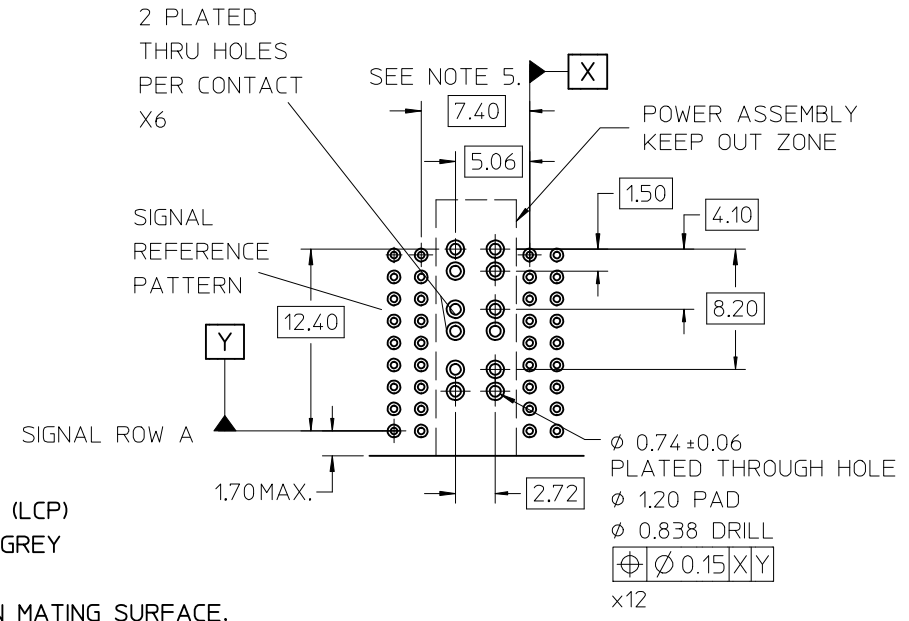
SEE NOTE 2 AND 3
* FORMERLY TIN/LEAD

REVISE NOTE 4 EC NO: UCP2015-1118 DRWN: SVANG01 2014/09/23 CHKD: MMOLFE 2014/09/23 APPR: SMILLER 2014/09/29	DESCRIPTION REV B	QUALITY SYMBOLS	GENERAL TOLERANCES (UNLESS SPECIFIED)	DIMENSION STYLE	SCALE	DESIGN UNITS	THIRD ANGLE PROJECTION	
		▽=0	mm INCH	MM ONLY	2:1	METRIC	☉	
		▽=0	4 PLACES ± --- ± ---	DRAWN BY DATE	TITLE	GBX POWER 3 PAIR DAUGHTERCARD ASSEMBLY molex		
		▽=0	3 PLACES ± --- ± ---	KMULVEY 11/02/2004				
▽=0	2 PLACES ± --- ± ---	CHECKED BY DATE	DOCUMENT NO.			SHEET NO.		
	1 PLACE ± --- ± ---	ELO 11/04/2004	SD-75292-003			1 OF 1		
	0 PLACE ± ±	APPROVED BY DATE	MATERIAL NO. SEE CHART					
		JB INGHAM 2010/01/21	SIZE B					
			ANGULAR ± 5 °					
			DRAFT WHERE APPLICABLE MUST REMAIN WITHIN DIMENSIONS					
THIS DRAWING CONTAINS INFORMATION THAT IS PROPRIETARY TO MOLEX INCORPORATED AND SHOULD NOT BE USED WITHOUT WRITTEN PERMISSION								



NOTES:

- MATERIAL:
HOUSING: LIQUID CRYSTAL POLYMER (LCP)
UL94V-0 RATED, COLOR: GREY
CONTACT: COPPER ALLOY
- FINISH: SELECT 30 μ INCH GOLD ON MATING SURFACE, MATTE TIN ON TAILS, NICKEL UNDERPLATE.
- FINISH: SELECT 50 μ INCH GOLD ON MATING SURFACE, MATTE TIN ON TAILS, NICKEL UNDERPLATE.
- MATES WITH 7533* BACKPLANE POWER ASSEMBLY.
- FOR EACH ADDITIONAL POWER MODULE ADD 5.55 MM.
- REMAINING ROWS ARE B, C IN THAT ORDER.



PART NUMBER	GOLD PLATING	
* 75292-3030	30μ IN	LEAD-FREE
* 75292-3050	50μ IN	LEAD-FREE
75292-3060	30μ IN	LEAD-FREE
75292-3080	50μ IN	LEAD-FREE

SEE NOTE 2 AND 3
* FORMERLY TIN/LEAD

REVISE NOTE 4 EC NO: UCP2015-1118 DRWN: SVANG01 2014/09/23 CHKD: MMOLFE 2014/09/23 APPR: SMILLER 2014/09/29	QUALITY SYMBOLS ▽=0 ▽=0 ▽=0	GENERAL TOLERANCES (UNLESS SPECIFIED) mm INCH 4 PLACES ± --- ± --- 3 PLACES ± --- ± --- 2 PLACES ± --- ± --- 1 PLACE ± --- ± --- 0 PLACE ± ±	DIMENSION STYLE MM ONLY DRAWN BY DATE KMULVEY 11/02/2004 CHECKED BY DATE ELO 11/04/2004 APPROVED BY DATE JB INGHAM 2010/01/21	SCALE 2:1 DESIGN UNITS METRIC THIRD ANGLE PROJECTION	TITLE GBX POWER 3 PAIR DAUGHTERCARD ASSEMBLY	
	MATERIAL NO. SEE CHART	DOCUMENT NO. SD-75292-003	SHEET NO. 1 OF 1	THIS DRAWING CONTAINS INFORMATION THAT IS PROPRIETARY TO MOLEX INCORPORATED AND SHOULD NOT BE USED WITHOUT WRITTEN PERMISSION		
	ANGULAR ± 5 ° DRAFT WHERE APPLICABLE MUST REMAIN WITHIN DIMENSIONS	SIZE B				
	B					