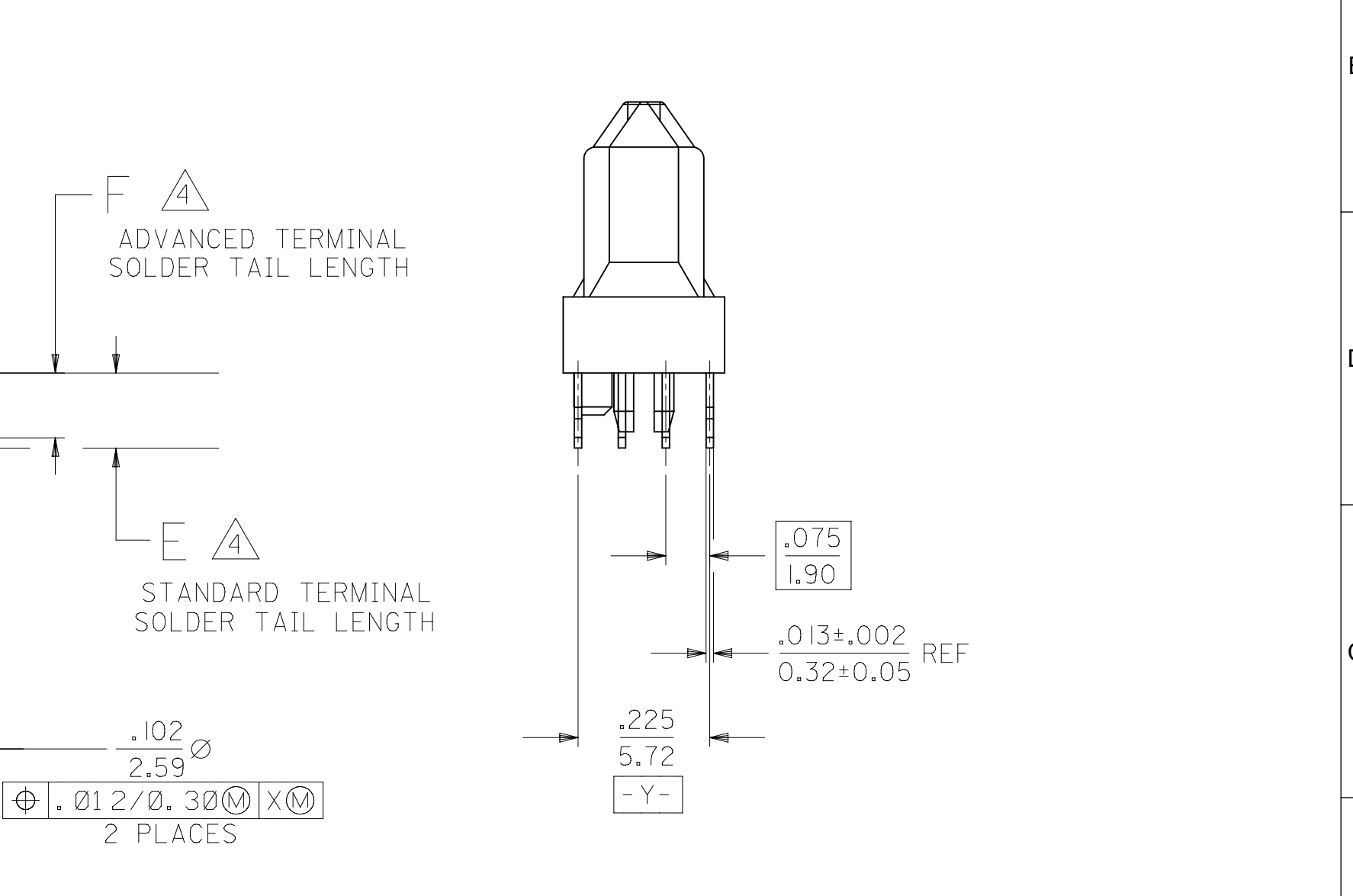
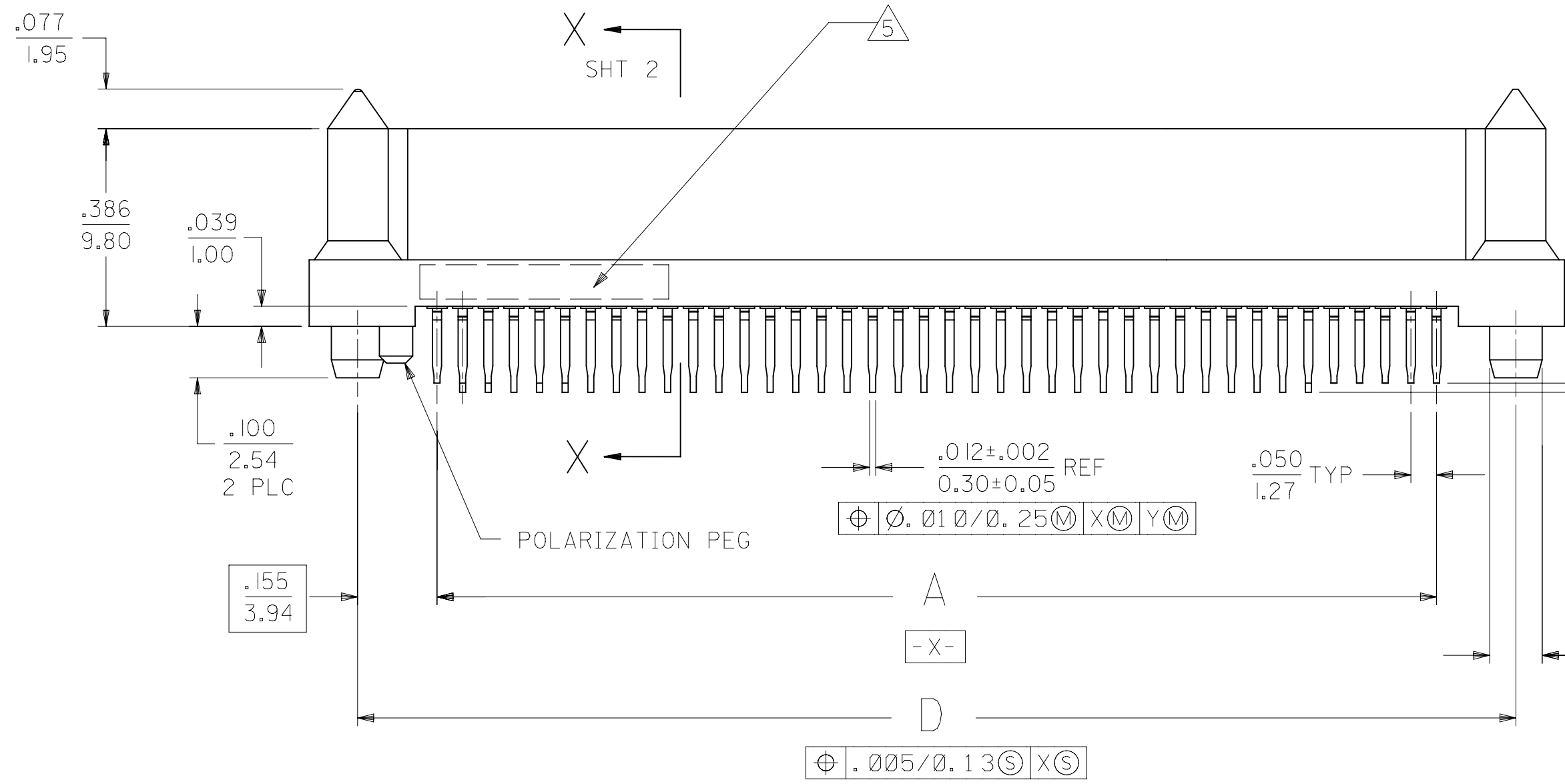
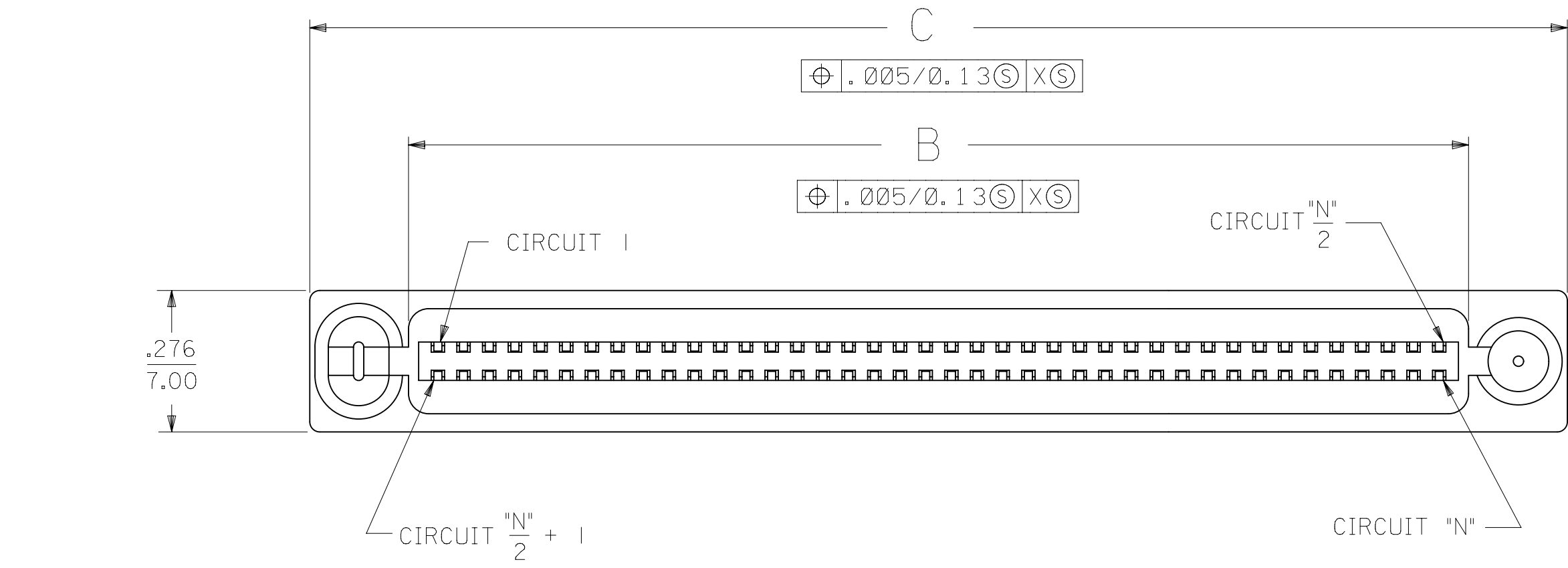


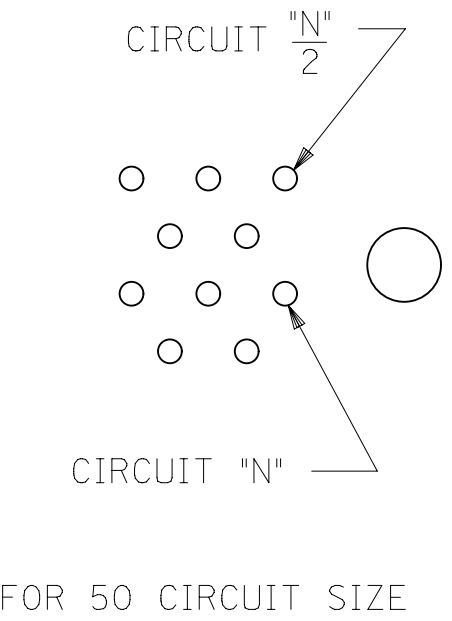
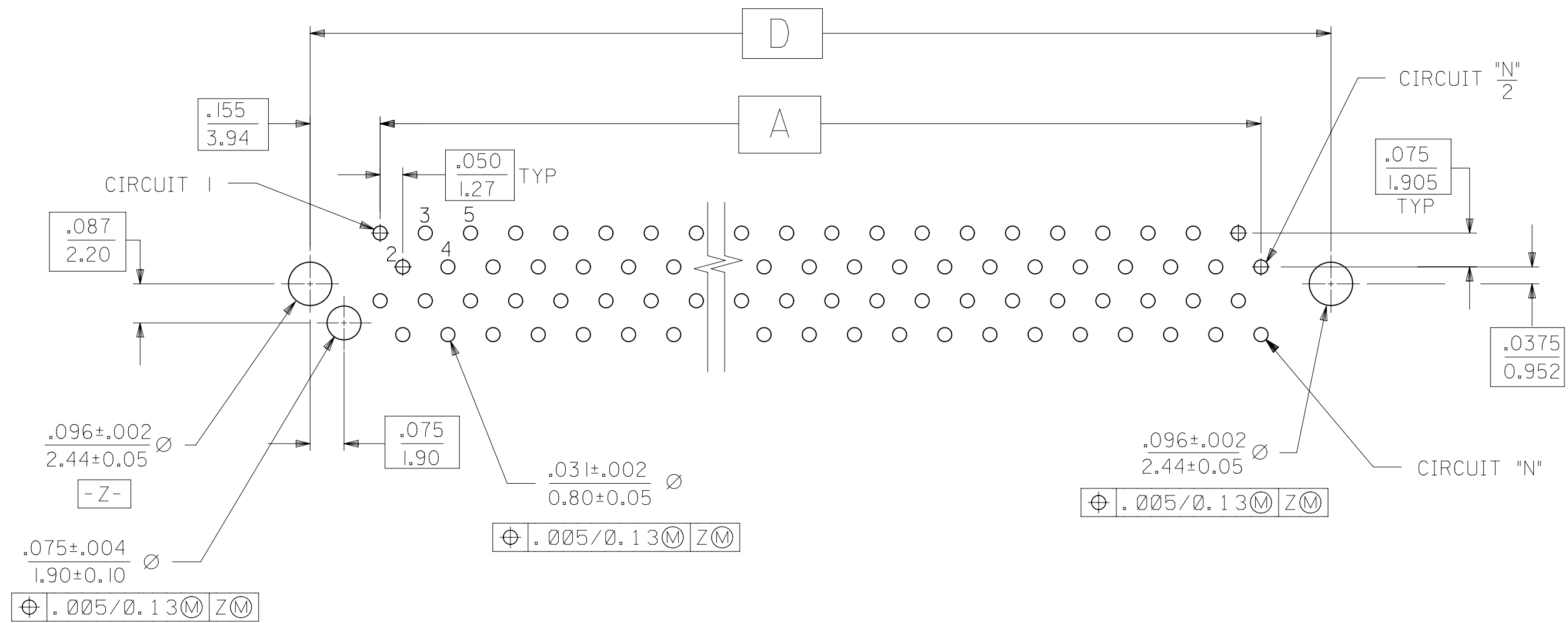
NOTES:

- 1) MATERIALS:
HOUSING- LCP, GLASS FILLED, UL94V-0, BLACK.
TERMINALS- COPPER ALLOY
- 2) FINISHES :
30 MICROINCH (0.72 MICROMETER) MINIMUM GOLD IN THE CONTACT AREA
50 MICROINCH (1.27 MICROMETER) MINIMUM MATTE TIN IN THE TAIL AREA
NICKEL UNDERPLATE OVERALL
- 3 ASSEMBLIES MATE WITH CONNECTORS SHOWN ON MOLEX DRAWING SDA-71661-7***
- 4 SEE TABLE ON SHEET 2 FOR ADVANCED TERMINAL LIST
- 5 FOUR DIGIT DATE CODE (WK YR), EXAMPLE => 26 96
LOCATED IN AREA INDICATED.
- 6 ASSEMBLIES MEET MOLEX PRODUCT SPECIFICATION PS-71660



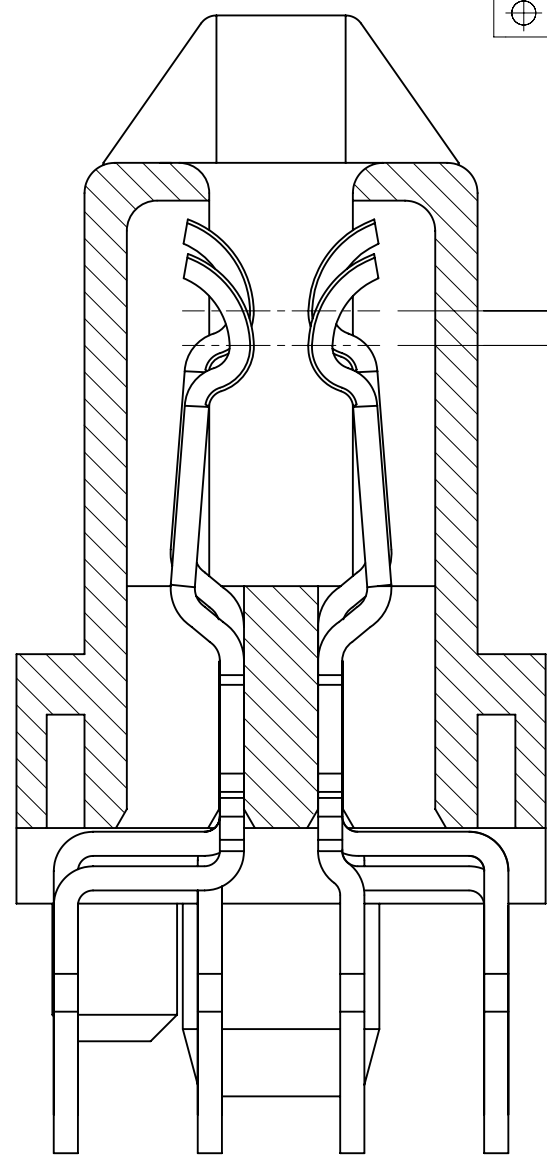
THIS DRAWING CONTAINS INFORMATION THAT IS PROPRIETARY TO MOLEX ELECTRONIC TECHNOLOGIES, LLC AND SHOULD NOT BE USED WITHOUT WRITTEN PERMISSION											
DIMENSION UNITS		SCALE		CURRENT REV DESC: OBSOLETE PART NUMBERS AS PER PCN#510806							
IN/MM		NTS									
GENERAL TOLERANCES (UNLESS SPECIFIED)				EC NO: 733771		2023/01/18		SALES ASSY, EBBI 50D, VERTCL, BLIND MATE RCPT W/ ADVANCE TERMINALS			
				DRWN: ANIKES1		2023/02/24					
4 PLACES ±				CHK'D: GGA		2023/02/24		PRODUCT CUSTOMER DRAWING			
3 PLACES ±				APPR: GGA		2023/02/24					
2 PLACES ±				INITIAL REVISION:				DOCUMENT NUMBER: SDA-71660-75XX DOC TYPE: PSD DOC PART: 001 REVISION: L1			
1 PLACE ±				DRWN: BBARKER		2011/01/18					
0 PLACES ±				APPR: SMILLER		2011/05/09		MATERIAL NUMBER: SEE TABLE CUSTOMER: GENERAL MARKET SHEET NUMBER: 1 OF 2			
ANGULAR TOL ± 0.5°				THIRD ANGLE PROJECTION		DRAWING: C-SIZE SERIES: 71660					
DRAFT WHERE APPLICABLE MUST REMAIN WITHIN DIMENSIONS				DRAWING: C-SIZE		SERIES: 71660					

ITEM NUMBER	CIRCUIT SIZE ("N")	A	B	C	D	E ±.010 (±0.25)	F ±.010 (±0.25)	ADVANCED CIRCUITS
71660-7501	68	1.650 (41.91)	1.765 (44.83)	2.149 (54.58)	1.960 (49.78)	.134 (3.40)	.116 (2.95)	5, 6, 39, 64, 66, 68



RECOMMENDED PC BOARD LAYOUT COMPONENT SIDE

FOR 40, 68 AND 80 CIRCUIT SIZES



SECTION X-X
SCALE - 10:1

HOUSING WALLS BETWEEN TERMINALS
NOT SHOWN FOR CLARITY

.015 MINIMUM OFFSET BETWEEN
STANDARD AND ADVANCED TERMINALS

THIS DRAWING CONTAINS INFORMATION THAT IS PROPRIETARY TO MOLEX ELECTRONIC TECHNOLOGIES, LLC AND SHOULD NOT BE USED WITHOUT WRITTEN PERMISSION																	
DIMENSION UNITS		SCALE		CURRENT REV DESC: OBSOLETE PART NUMBERS AS PER PCN#510806													
IN/MM		NTS		<p>molex</p> <p>SALES ASSY, EBBI 50D, VERTCL, BLIND MATE RCPT W/ ADVANCE TERMINALS</p> <p>PRODUCT CUSTOMER DRAWING</p> <table border="1"> <tr> <td>DOCUMENT NUMBER</td> <td>DOC TYPE</td> <td>DOC PART</td> <td>REVISION</td> </tr> <tr> <td>SDA-71660-75XX</td> <td>PSD</td> <td>001</td> <td>L1</td> </tr> </table>						DOCUMENT NUMBER	DOC TYPE	DOC PART	REVISION	SDA-71660-75XX	PSD	001	L1
DOCUMENT NUMBER	DOC TYPE	DOC PART	REVISION														
SDA-71660-75XX	PSD	001	L1														
GENERAL TOLERANCES (UNLESS SPECIFIED)										EC NO: 733771		2023/01/18					
4 PLACES		±								DRWN: ANIKES1		2023/02/24					
3 PLACES		±		CHK'D: GGA		2023/02/24											
2 PLACES		±		APPR: GGA		2023/02/24											
1 PLACE		±		INITIAL REVISION:		2011/01/18											
0 PLACES		±		DRWN: BBARKER		2011/05/09											
ANGULAR TOL		± 0.5°		APPR: SMILLER		2011/05/09											
DRAFT WHERE APPLICABLE MUST REMAIN WITHIN DIMENSIONS				THIRD ANGLE PROJECTION		DRAWING SERIES		MATERIAL NUMBER CUSTOMER SHEET NUMBER									
						C-SIZE 71660		SEE TABLE GENERAL MARKET 2 OF 2									