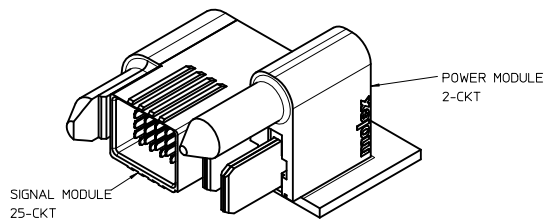
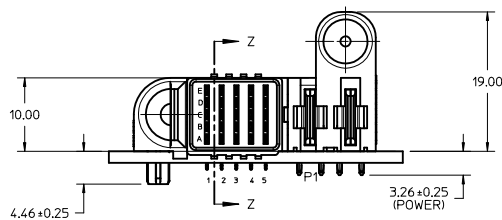
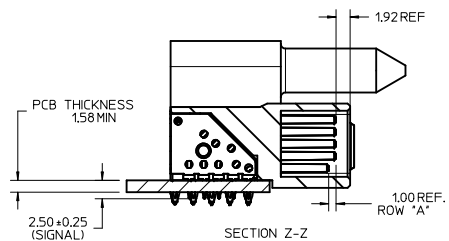
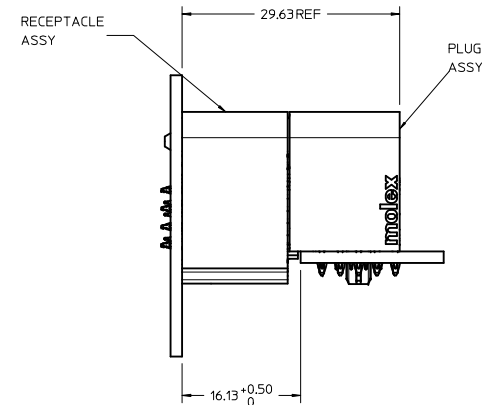
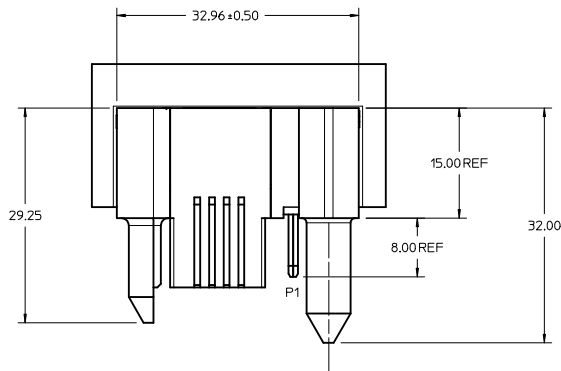


RECOMMENDED PCB LAYOUT AND KEEP-OUT ZONE



P/N: 46437-1044

- MATERIAL:
 - HOUSINGS: LCP UL94 V-0, COLOR: BLACK.
 - TERMINALS: COPPER ALLOY.
 - PLATING: 0.000127 NICKEL OVERALL WITH 0.00254 SELECTIVE MATTE TIN ON TAILS, AND 0.000762 SELECTIVE GOLD ON CONTACT AREA.
- PACKAGING ASSEMBLIES TO BE TRAY PACKED, STANDARD. QUANTITY: TBD.
- PC BOARD REQUIRES PLATED THRU HOLES. REFER TO PS-46436-100 FOR DETAILS.
- PRODUCT SPEC: PS-46436-100.
- APPLICATION SPEC: AS-46436-100.
- SEE PRODUCT SPEC. FOR RoHS REQUIREMENTS.
- ASSEMBLY MATES WITH MOLEX RECEPTACLE ASSEMBLY, P/N 46562-1044.

RELEASED IEC NO. UCP2011-2199 DRAWN BY CHYDYLIN 2011/01/19 APPR: APATEL 2011/02/14	QUALITY SYMBOLS	GENERAL TOLERANCES (UNLESS SPECIFIED)	DIMENSION STYLE	SCALE	DESIGN UNITS	THIRD ANGLE PROJECTION
	$\nabla=0$ $\nabla=0$ $\nabla=0$	mm INCH 4 PLACES ± --- ± --- 3 PLACES ± --- ± --- 2 PLACES ± 0.25 ± --- 1 PLACE ± 0.25 ± --- ANGULAR ± 1/2°	MM ONLY	3:1	METRIC	
	DRAWN BY DATE IMPATIL 2010/11/16 CHECKED BY DATE BKOSTIC 2010/11/16 APPROVED BY DATE APATEL 2011/02/14	MATERIAL NO. 46437-1044 DOCUMENT NO. SD-46437-1044		TITLE RA PLUG ASSY 2P-25S, PRESS FIT TEN60 POWER FAMILY		MOLEX INCORPORATED
	DRAFT WHERE APPLICABLE MUST REMAIN WITHIN DIMENSIONS	SIZE D THIS DRAWING CONTAINS INFORMATION THAT IS PROPRIETARY TO MOLEX INCORPORATED AND SHOULD NOT BE USED WITHOUT WRITTEN PERMISSION		SHEET NO. 1 OF 1		MOLEX INCORPORATED