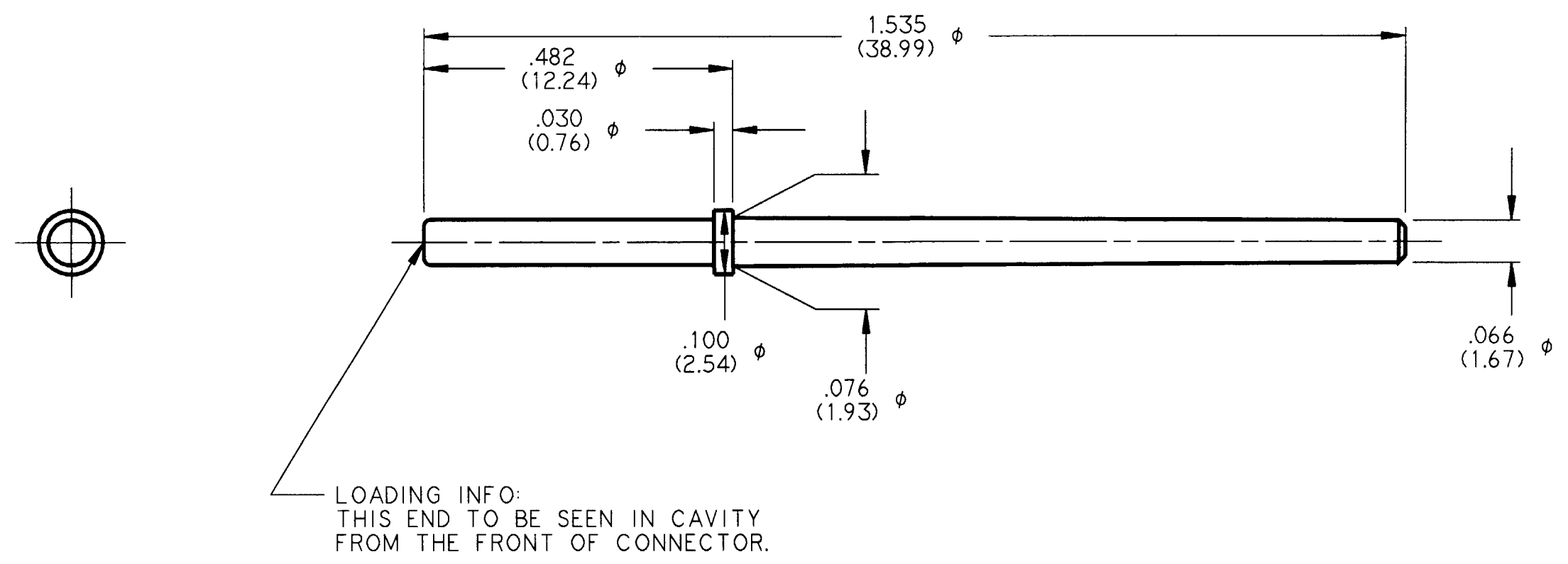


REV NC	0413-216-2005	REVISIONS		
SYM	DESCRIPTION	DATE	APPROVED	
NC	NEW RELEASE PER E.O. A14921	10-31-95	RDR	



NOTES:
 1. COLOR: RED.
 2. DIMENSIONS ARE FOR REFERENCE ONLY IN INCHES (METRIC).

SIGNATURE & DATE		KEYING PIN SIZE 20 HD SERIES	CP	MATL CODE
DR	V.TOMSA OCT-30-95.		The Deutsch Company DEUTSCH I.P.D. 37140 INDUSTRIAL AVE. HEMET, CALIF. 92343	
CHK			0413-216-2005	
PE	<i>William Tomsa</i>		DWG SIZE	CODE 11139
APPD	<i>R. Reed 10/31/95</i>	ENVELOPE		
SCALE	5X	WT		