

ABBREVIATION	DESCRIPTION	COLOR	MATERIAL
A-BLACK	HOUSING, KEYING OPTION A	BLACK	SPS/NYLON GF20
B-LIGHT GRAY	HOUSING, KEYING OPTION B	LIGHT GRAY	SPS/NYLON GF20
C-BROWN	HOUSING, KEYING OPTION C	BROWN	SPS/NYLON GF20
D-GREEN	HOUSING, KEYING OPTION D	GREEN	SPS/NYLON GF20
C-DARK GRAY	HOUSING, KEYING OPTION C	DARK GRAY	SPS/NYLON GF20
D-STONE GRAY	HOUSING, KEYING OPTION D	STONE GRAY	SPS/NYLON GF20
A-YELLOW	HOUSING, KEYING OPTION A	YELLOW	SPS/NYLON GF20
A-LIGHT BLUE	HOUSING, KEYING OPTION A	LIGHT BLUE	SPS/NYLON GF20
GC	GROMMET CAP (STANDARD)	BLACK	SPS/NYLON GF20
GCL	GROMMET CAP (LENGTHENED)	BLACK	SPS/NYLON GF20
PLR	PLR	NATURAL	SPS/NYLON GF20
M	MAT SEAL	ROYAL BLUE	INHERENTLY LUBRICATED SILICONE

FOR ADDITIONAL INFORMATION SEE SD-33482-0001

ASSEMBLY DESCRIPTION	ASSEMBLY PART NUMBER	COMPONENT				BLOCKED TERMINALS			STATUS	COMMENT	OPTIONAL ATTACHMENTS SOLD SEPARATELY	
		THE PRESENCE OF AN ABBREVIATION INDICATES THE PRESENCE OF THAT COMPONENT				CAVITY WITH A NUMBER INDICATES BLOCKED TERMINAL POSITION CAVITY WITHOUT A NUMBER INDICATES OPEN TERMINAL POSITION					BACKSHELL WITH RIBS	BACKSHELL WITHOUT RIBS
		HOUSING KEY/COLOR	GROMMET CAP	PLR	MAT SEAL							
MX150 ASSY BLD 2X3 BK A/6	334823601	A-BLACK	GC	PLR	M	-	-	-	SALEABLE		34950-0610	34950-0620
MX150 ASSY BLD 2X3 LG B/6	334823602	B-LIGHT GRAY	GC	PLR	M	-	-	-	SALEABLE		34950-0610	34950-0620
MX150 ASSY BLD 2X3 BR C/6	334823603	C-BROWN	GC	PLR	M	-	-	-	NOT RECOMMENDED	SEE 334823628	34950-0610	34950-0620
MX150 ASSY BLD 2X3 GR D/6	334823604	D-GREEN	GC	PLR	M	-	-	-	NOT RECOMMENDED	SEE 334823629	34950-0610	34950-0620
MX150 ASSY BLD 2X3 BK A/5	334823606	A-BLACK	GC	PLR	M	-	-	3	SALEABLE		34950-0610	34950-0620
MX150 ASSY BLD 2X3 LG B/5	334823607	B-LIGHT GRAY	GC	PLR	M	-	-	3	SALEABLE		34950-0610	34950-0620
MX150 ASSY BLD 2X3 BR C/5	334823608	C-BROWN	GC	PLR	M	-	-	3	NOT RECOMMENDED	SEE 334823638	34950-0610	34950-0620
MX150 ASSY BLD 2X3 GR D/5	334823609	D-GREEN	GC	PLR	M	-	-	3	NOT RECOMMENDED	SEE 334823641	34950-0610	34950-0620
MX150 ASSY BLD 2X3 BK A/4	334823611	A-BLACK	GC	PLR	M	-	-	3	SALEABLE		34950-0610	34950-0620
MX150 ASSY BLD 2X3 LG B/4	334823612	B-LIGHT GRAY	GC	PLR	M	4	-	-	SALEABLE		34950-0610	34950-0620
MX150 ASSY BLD 2X3 BR C/4	334823613	C-BROWN	GC	PLR	M	-	-	3	NOT RECOMMENDED	SEE 334823642	34950-0610	34950-0620
MX150 ASSY BLD 2X3 GR D/4	334823614	D-GREEN	GC	PLR	M	-	-	3	NOT RECOMMENDED	SEE 334823643	34950-0610	34950-0620
MX150 ASSY BLD 2X3 BK A/5	334823616	A-BLACK	GC	PLR	M	-	-	3	SALEABLE		34950-0610	34950-0620
MX150 ASSY BLD 2X3 BK A/5	334823617	A-BLACK	GC	PLR	M	-	2	-	SALEABLE		34950-0610	34950-0620
MX150 ASSY BLD 2X3 BK A/4	334823618	A-BLACK	GC	PLR	M	-	-	-	SALEABLE		34950-0610	34950-0620
MX150 ASSY BLD 2X3 BK A/2	334823619	A-BLACK	GC	PLR	M	-	5	6	SALEABLE		34950-0610	34950-0620
MX150 ASSY BLD 2X3 BK A/0	334823620	A-BLACK	GC	PLR	M	-	2	3	SALEABLE		34950-0610	34950-0620
						4	5	6				

ASSEMBLY DESCRIPTION	ASSEMBLY PART NUMBER	COMPONENT				BLOCKED TERMINALS			STATUS	COMMENT	OPTIONAL ATTACHMENTS SOLD SEPARATELY	
		THE PRESENCE OF AN ABBREVIATION INDICATES THE PRESENCE OF THAT COMPONENT				CAVITY WITH A NUMBER INDICATES BLOCKED TERMINAL POSITION CAVITY WITHOUT A NUMBER INDICATES OPEN TERMINAL POSITION					BACKSHELL WITH RIBS	BACKSHELL WITHOUT RIBS
		HOUSING KEY/COLOR	GROMMET CAP	PLR	MAT SEAL							
MX150 ASSY BLD 2X3 BK A/3	334823621	A-BLACK	GC	PLR	M	1	-	-	SALEABLE		34950-0610	34950-0620
MX150 ASSY BLD 2X3 BK A/3	334823622	A-BLACK	GC	PLR	M	4	5	-	SALEABLE		34950-0610	34950-0620
MX150 ASSY BLD 2X3 BK A/5	334823623	A-BLACK	GC	PLR	M	-	-	-	SALEABLE		34950-0610	34950-0620
MX150 ASSY BLD 2X3 BK A/5	334823624	A-BLACK	GC	PLR	M	4	5	6	SALEABLE		34950-0610	34950-0620
MX150 ASSY BLD 2X3 LG B/4	334823625	B-LIGHT GRAY	GC	PLR	M	-	-	-	SALEABLE		34950-0610	34950-0620
MX150 ASSY BLD 2X3 BK A/2	334823626	A-BLACK	GC	PLR	M	-	5	-	SALEABLE		34950-0610	34950-0620
MX150 ASSY BLD 2X3 BK A/2	334823627	A-BLACK	GC	PLR	M	1	2	3	SALEABLE		34950-0610	34950-0620
MX150 ASSY BLD 2X3 DG C/6	334823628	C-DARK GRAY	GC	PLR	M	4	-	-	SALEABLE		34950-0610	34950-0620
MX150 ASSY BLD 2X3 SG D/6	334823629	D-STONE GRAY	GC	PLR	M	-	2	3	SALEABLE		34950-0610	34950-0620
MX150 ASSY BLD 2X3 BK A/4	334823630	A-BLACK	GC	PLR	M	-	5	6	SALEABLE		34950-0610	34950-0620
MX150 ASSY BLD 2X3 XC BK A/6	334823631	A-BLACK	GCL	PLR	M	-	-	-	SALEABLE		34950-0610	34950-0620
MX150 ASSY BLD 2X3 XC LG B/6	334823632	B-LIGHT GRAY	GCL	PLR	M	-	-	-	SALEABLE		34950-0610	34950-0620
MX150 ASSY BLD 2X3 XC DG C/6	334823633	C-DARK GRAY	GCL	PLR	M	-	-	-	SALEABLE		34950-0610	34950-0620
MX150 ASSY BLD 2X3 XC SG D/6	334823634	D-STONE GRAY	GCL	PLR	M	-	-	-	SALEABLE		34950-0610	34950-0620
MX150 ASSY BLD 2X3 XC DG C/5	334823635	C-DARK GRAY	GCL	PLR	M	-	-	3	SALEABLE		34950-0610	34950-0620
MX150 ASSY BLD 2X3 XC BK A/5	334823636	A-BLACK	GCL	PLR	M	-	-	3	SALEABLE		34950-0610	34950-0620
MX150 ASSY BLD 2X3 BK A/4	334823637	A-BLACK	GC	PLR	M	-	2	-	SALEABLE		34950-0610	34950-0620
MX150 ASSY BLD 2X3 DG C/5	334823638	C-DARK GRAY	GC	PLR	M	-	-	6	SALEABLE		34950-0610	34950-0620
MX150 ASSY BLD 2X3 XC BK A/0	334823639	A-BLACK	GCL	PLR	M	-	-	3	SALEABLE		34950-0610	34950-0620
MX150 ASSY BLD 2X3 BK A/5	334823640	A-BLACK	GC	PLR	M	1	2	3	SALEABLE		34950-0610	34950-0620
MX150 ASSY BLD 2X3 SG D/5	334823641	D-STONE GRAY	GC	PLR	M	4	5	6	SALEABLE		34950-0610	34950-0620
MX150 ASSY BLD 2X3 DG C/4	334823642	C-DARK GRAY	GC	PLR	M	-	-	-	SALEABLE		34950-0610	34950-0620
MX150 ASSY BLD 2X3 SG D/4	334823643	D-STONE GRAY	GC	PLR	M	4	-	-	SALEABLE		34950-0610	34950-0620
MX150 ASSY BLD 2X3 YW A/6	334823644	A-YELLOW	GC	PLR	M	-	-	3	SALEABLE		34950-0610	34950-0620
MX150 ASSY BLD 2X3 BK A/2	334823645	A-BLACK	GC	PLR	M	-	-	6	SALEABLE		34950-0610	34950-0620
MX150 ASSY BLD 2X3 BK A/4	334823646	A-BLACK	GC	PLR	M	-	2	3	SALEABLE		34950-0610	34950-0620
MX150 ASSY BLD 2X3 LG B/4	334823647	B-LIGHT GRAY	GC	PLR	M	-	2	3	SALEABLE		34950-0610	34950-0620

ASSEMBLY DESCRIPTION	ASSEMBLY PART NUMBER	COMPONENT				BLOCKED TERMINALS			STATUS	COMMENT	OPTIONAL ATTACHMENTS SOLD SEPARATELY	
		THE PRESENCE OF AN ABBREVIATION INDICATES THE PRESENCE OF THAT COMPONENT				CAVITY WITH A NUMBER INDICATES BLOCKED TERMINAL POSITION CAVITY WITHOUT A NUMBER INDICATES OPEN TERMINAL POSITION					BACKSHELL WITH RIBS	BACKSHELL WITHOUT RIBS
		HOUSING KEY/COLOR	GROMMET CAP	PLR	MAT SEAL							
MX150 ASSY BLD 2X3 DG C/5	334823648	C-DARK GRAY	GC	PLR	M	-	-	-	SALEABLE		34950-0610	34950-0620
MX150 ASSY BLD 2X3 BK A/4	334823649	A-BLACK	GC	PLR	M	-	-	-	SALEABLE		34950-0610	34950-0620
MX150 ASSY BLD 2X3 BK A/3	334823650	A-BLACK	GC	PLR	M	4	-	6	SALEABLE		34950-0610	34950-0620
MX150 ASSY BLD 2X3 BK A/3	334823651	A-BLACK	GC	PLR	M	1	-	3	SALEABLE		34950-0610	34950-0620
MX150 ASSY BLD 2X3 BK A/4	334823652	A-BLACK	GC	PLR	M	-	5	-	SALEABLE		34950-0610	34950-0620
MX150 ASSY BLD 2X3 BK A/4	334823653	A-BLACK	GC	PLR	M	-	2	-	SALEABLE		34950-0610	34950-0620
MX150 ASSY BLD 2X3 BK A/3	334823654	A-BLACK	GC	PLR	M	4	-	6	SALEABLE		34950-0610	34950-0620
MX150 ASSY BLD 2X3 BK A/1	334823655	A-BLACK	GC	PLR	M	1	2	3	SALEABLE		34950-0610	34950-0620
MX150 ASSY BLD 2X3 BK A/3	334823656	A-BLACK	GC	PLR	M	-	5	6	SALEABLE		34950-0610	34950-0620
MX150 ASSY BLD 2X3 BK A/4	334823657	A-BLACK	GC	PLR	M	1	2	3	SALEABLE		34950-0610	34950-0620
MX150 ASSY BLD 2X3 BK A/5	334823658	A-BLACK	GC	PLR	M	-	-	-	SALEABLE		34950-0610	34950-0620
MX150 ASSY BLD 2X3 LG B/5	334823659	B-LIGHT GRAY	GC	PLR	M	4	5	-	SALEABLE		34950-0610	34950-0620
MX150 ASSY BLD 2X3 LG B/5	334823660	B-LIGHT GRAY	GC	PLR	M	1	-	-	SALEABLE		34950-0610	34950-0620
MX150 ASSY BLD 2X3 BK A/4	334823661	A-BLACK	GC	PLR	M	-	-	-	SALEABLE		34950-0610	34950-0620
MX150 ASSY BLD 2X3 BK A/3	334823662	A-BLACK	GC	PLR	M	1	-	-	SALEABLE		34950-0610	34950-0620
MX150 ASSY BLD 2X3 LG B/4	334823663	B-LIGHT GRAY	GC	PLR	M	-	5	-	SALEABLE		34950-0610	34950-0620
MX150 ASSY BLD 2X3 BK A/5	334823664	A-BLACK	GC	PLR	M	4	-	-	SALEABLE		34950-0610	34950-0620
MX150 ASSY BLD 2X3 LG B/5	334823665	B-LIGHT GRAY	GC	PLR	M	-	-	3	SALEABLE		34950-0610	34950-0620
MX150 ASSY BLD 2X3 BK A/3	334823666	A-BLACK	GC	PLR	M	4	-	6	SALEABLE		34950-0610	34950-0620
MX150 ASSY BLD 2X3 BK A/4	334823667	A-BLACK	GC	PLR	M	-	5	6	SALEABLE		34950-0610	34950-0620
MX150 ASSY BLD 2X3 BK A/3	334823668	A-BLACK	GC	PLR	M	1	-	-	SALEABLE		34950-0610	34950-0620
MX150 ASSY BLD 2X3 BK A/4	334823669	A-BLACK	GC	PLR	M	-	5	-	SALEABLE		34950-0610	34950-0620
MX150 ASSY BLD 2X3 LG B/4	334823670	B-LIGHT GRAY	GC	PLR	M	1	-	-	SALEABLE		34950-0610	34950-0620
MX150 ASSY BLD 2X3 BK A/2	334823671	A-BLACK	GC	PLR	M	-	5	6	SALEABLE		34950-0610	34950-0620
MX150 ASSY BLD 2X3 BK A/3	334823672	A-BLACK	GC	PLR	M	1	2	3	SALEABLE		34950-0610	34950-0620
MX150 ASSY BLD 2X3 LTB A/6	334823673	A-LIGHT BLUE	GC	PLR	M	4	-	6	SALEABLE		34950-0610	34950-0620
						1	2	3	SALEABLE		34950-0610	34950-0620
						-	-	-	SALEABLE		34950-0610	34950-0620
						-	-	-	SALEABLE		34950-0610	34950-0620

TABLE OF CONTENTS	
SHEET NO.	SHEET DESCRIPTION
1	NOTES AND BOM
2	CONFIGURATIONS
3-4	KEY CONFIGURATIONS
5	BLADE SEALED ASSEMBLY
6	SYSTEM PACKAGING
7	BACKSHELL NOTES
8	BACKSHELL
9	BACKSHELL CONFIGURATIONS

NOTES: VALID UNLESS OTHERWISE SPECIFIED

1. GENERAL:
a. APPLICATION SPECIFICATION SEE: AS-33472-100
-CONTAINS: PRODUCT INTRODUCTION, PRODUCT SUMMARY, CONNECTOR ASSEMBLY, PACKAGING INFORMATION, CONNECTOR MATING, SERVICE INSTRUCTIONS, ELECTRICAL CONTINUITY CHECKING, CRIMPING, AND TROUBLESHOOTING.
-DESIGNED TO MATE WITH RECEPTACLE SEALED ASSEMBLY AS SPECIFIED IN THE MATING CONNECTOR DRAWINGS CHART.
*DENOTES DRAWINGS THAT CAN BE ACCESSED AT <http://ewcap.uscarteams.org/>.
-ASSEMBLY SHIPPED WITH PLR IN PRE-LOCK POSITION (SEE PLR PRE-LOCK VIEW SHEET 5).

b. PRODUCT SPECIFICATION SEE:
-STANDARD CONFIGURATION: PS-33472-000
-UL V0 CONFIGURATION: TBD
CONTAINS: PRODUCT INTRODUCTION, PRODUCT SUMMARY, RATINGS (CURRENT, TEMPERATURE, SEALING, AND FLAMMABILITY), TERMINALS, WIRE DIAMETER RANGE, PRODUCT VALIDATION, AND PRODUCT DEVIATIONS.

c. PACKAGING SPECIFICATION PER MOLEX DRAWING: PK-31300-635

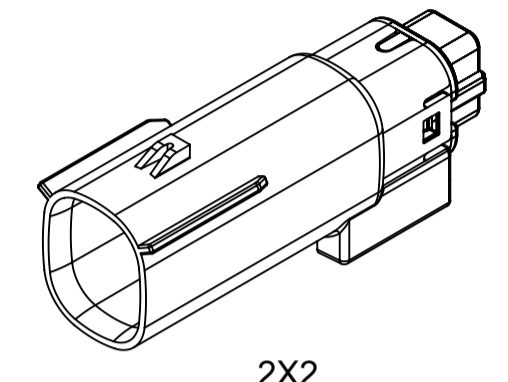
d. PARTS MUST BE IN COMPLIANCE TO MOLEX CHEMICAL SUBSTANCES FOR PRODUCTS AND PACKAGING SPECIFICATION: QEHS-699000-300

e. DATA MUST BE SUBMITTED UNDER THE MOLEX PART NUMBER TO IMDS (COMPANY ID#13255)

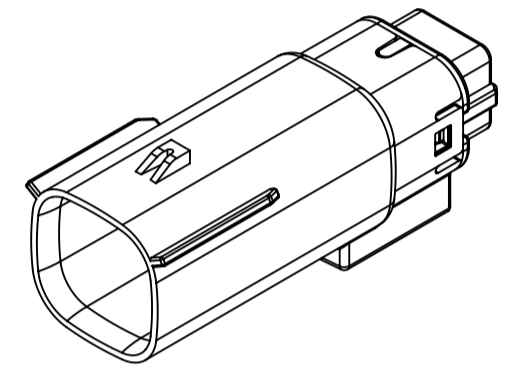
2. DESIGN - MATERIALS:
a. FOR BILL OF MATERIALS SEE:
-STANDARD CONFIGURATION: SD-33482-0002
-UL V0 CONFIGURATION: SD-160084-0002

3. DESIGN - GEOMETRY:
a. THE 3-D CAD DATA IS BASIC (WITHOUT TOLERANCE) AND MASTER FOR THIS PART WITH THE EXCEPTION OF UNDERLINED DIMENSIONS. DIMENSIONAL INFORMATION NOT SHOWN ON THIS DRAWING IS DEFINED BY THE DATA FILE AT ITS LATEST REVISION.
b. GEOMETRIC DIMENSIONS AND TOLERANCES PER ASME Y14.5M-2009
c. EDGES AND UNDIMENSIONED DETAILS PER ISO13715
d. CORNERS SHOWN AS SHARP TO BE R 0.2 MAX.
e. LETTERING SHALL BE 0.15 MAX RAISED IN 0.25 MAX RECESS PAD. THIS INCLUDES RECYCLING CODE, CAVITY ID, VENDOR IDENTIFICATION, AND CUSTOMER MATERIAL NUMBER.
f. VISUAL DEFECTS SHALL MEET COSMETIC STANDARD PS-45499-002 (Class B).
g. LASER MARKING:
1. PART NUMBER
2. DAY OF THE YEAR
3. SHIFT
4. YEAR
FOR ADDITIONAL INFORMATION SEE SECTION 5 UNDER PROCEDURES IN ES-34735-008.

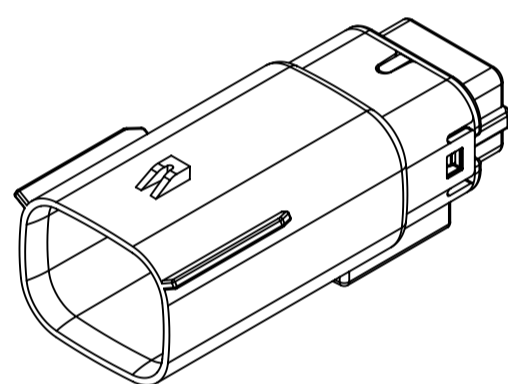
MATING CONNECTOR DRAWINGS	
DESCRIPTION	MOLEX INLINE
2X2	SD-33472-0001
2X3	SD-33472-0001
2X4	SD-33472-0001
2X6	SD-33472-0001
2X8	SD-33472-0001
2X10	SD-33472-0001



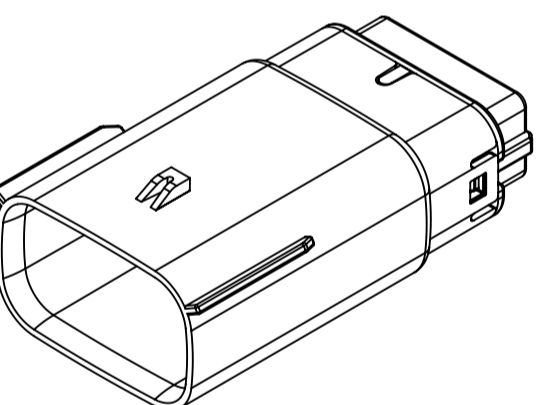
2X2



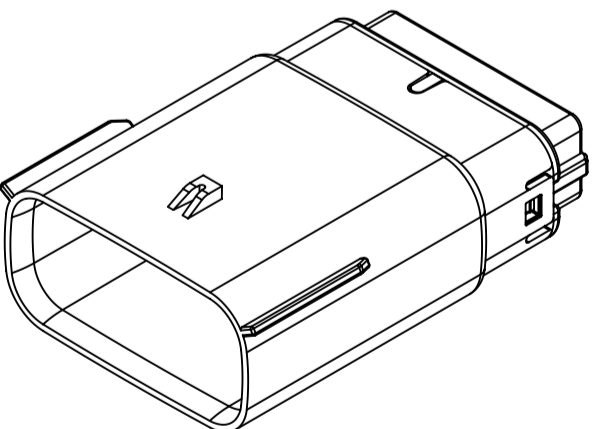
2X3



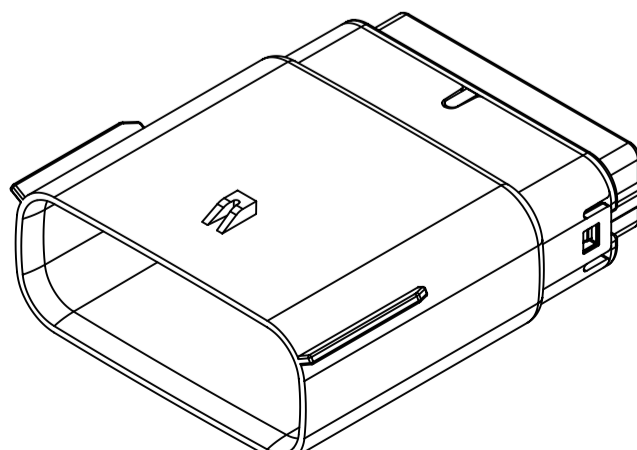
2X4



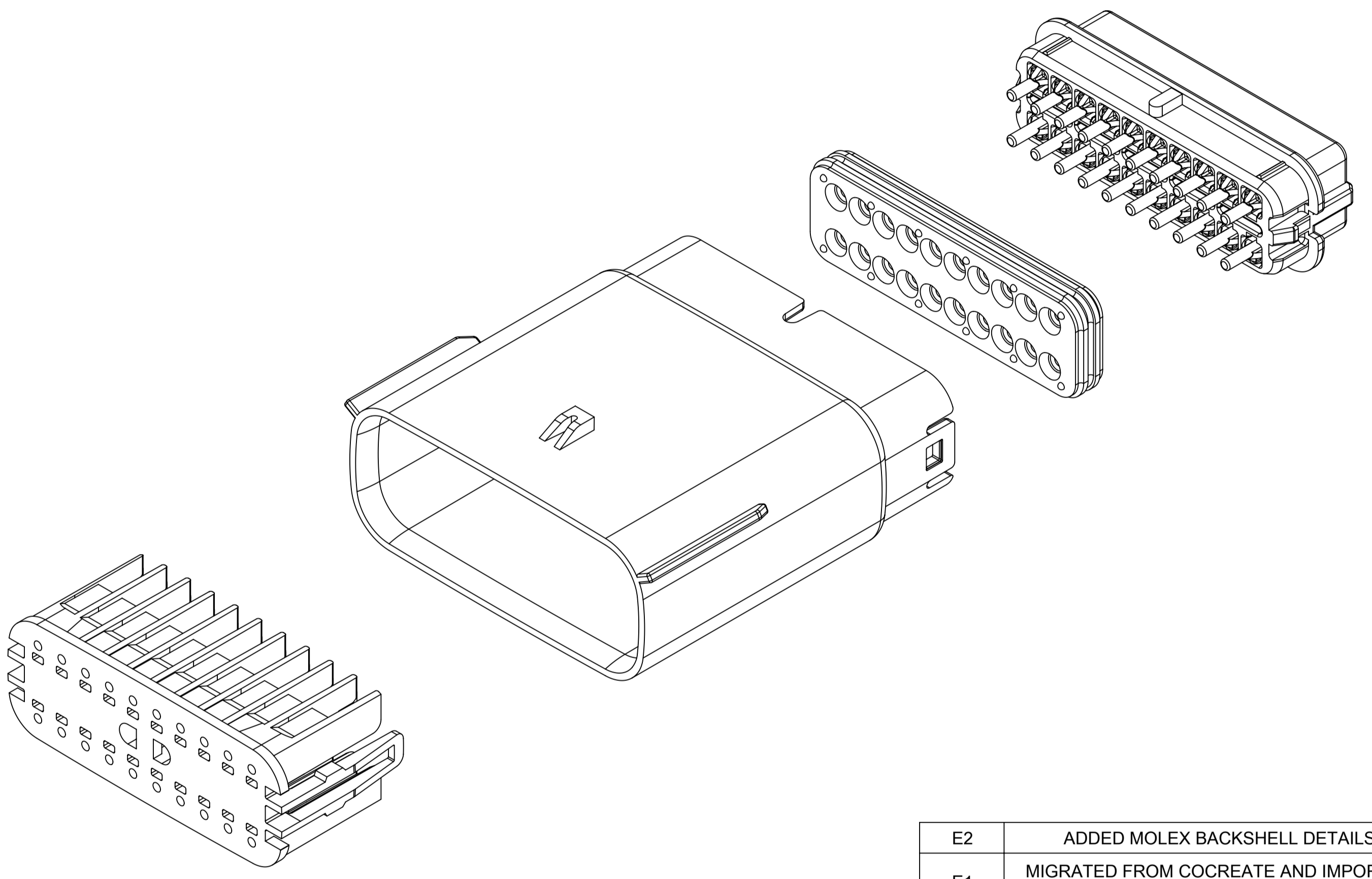
2X6



2X8



2X10

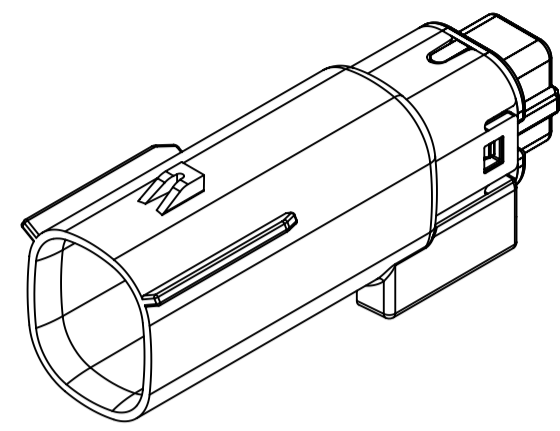


REV	DESCRIPTION
E2	ADDED MOLEX BACKSHELL DETAILS
E1	MIGRATED FROM COCREATE AND IMPORTED DXF FILES
E	ADDED CHARTED DIMENSIONS FOR 2X2, 2X4, 2X6 AND 2X8 WITH CLIPSLOT
D	MINOR GEOMETRY CHANGE FOR UL V0
C3	ADD 2X4
C2	ADD 2X3
C1	ADD UL V0 CONFIGURATIONS
C	ADD 2X8
B1	ADD 2X6 BACKSHELL INFO
B	ADD 2X6
A	INITIAL RELEASE
REV	REV DESCRIPTION

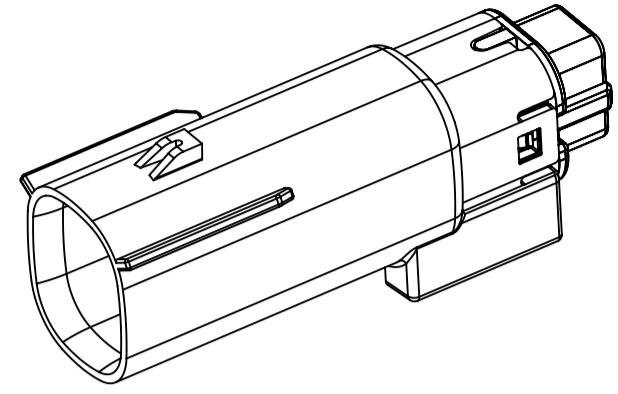
INSPECTION NUMBER LOG	
LAST NUMBER:	9
ADDED:	
REMOVED:	

SYMBOLS = 0 mm = 0 GENERAL TOLERANCES (UNLESS SPECIFIED) = 0 ANGULAR TOL ± 1.0° = 0 4 PLACES ± = 0 3 PLACES ± = 0 2 PLACES ± 0.1 = 0 1 PLACE ± 0.2 = 0 0 PLACES ± = 0 DRAFT WHERE APPLICABLE MUST REMAIN WITHIN DIMENSIONS	THIS DRAWING CONTAINS INFORMATION THAT IS PROPRIETARY TO MOLEX ELECTRONIC TECHNOLOGIES, LLC AND SHOULD NOT BE USED WITHOUT WRITTEN PERMISSION DIMENSION UNITS: mm SCALE: 1.5:1 CURRENT REV DESC: EC NO: 171650 DRWN: PMANJUNATHAC 2018/01/03 CHK'D: MVANSLAMBROU 2018/02/16 APPR: MVANSLAMBROU 2018/02/16 INITIAL REVISION: DRWN: APROFFITT 2014/04/28 APPR: VKOSHY 2014/05/14	 MX150 BLADE DUAL ROW SEALED ASSEMBLY MAT SEAL PRODUCT CUSTOMER DRAWING
	DOCUMENT NUMBER: SD-33482-0001 DOC TYPE: PSD DOC PART: 001 REVISION: E2	
	MATERIAL NUMBER: 33482 CUSTOMER: GENERAL MARKET SHEET NUMBER: 1 OF 11	
	THIRD ANGLE PROJECTION: DRAWING: A1-SIZE SERIES: 33482	

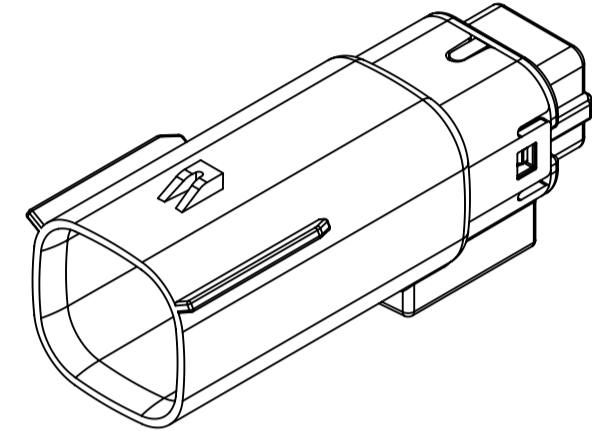
SHEET DESCRIPTION
CONFIGURATIONS



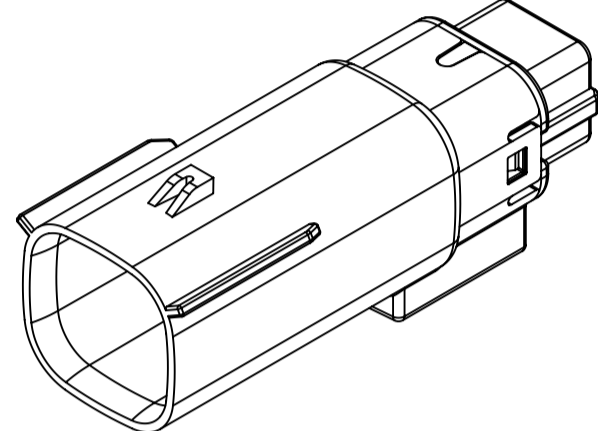
2X2 - STANDARD (STD)



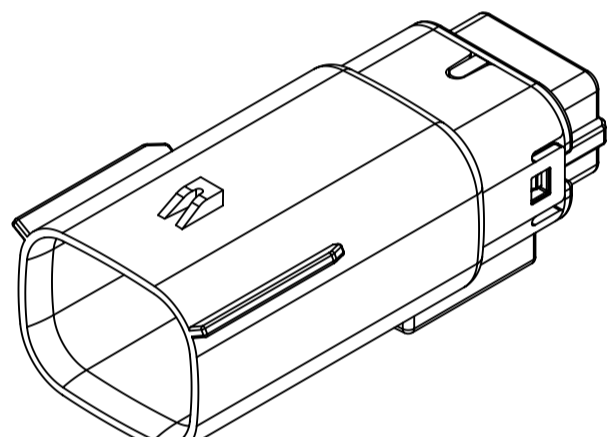
2X2 - UL V0*



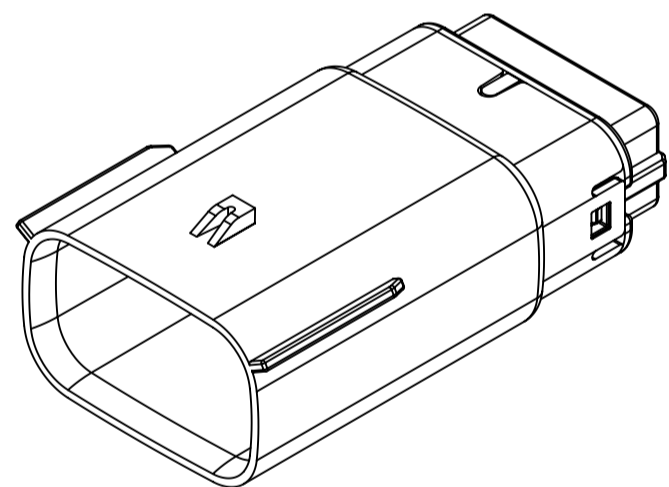
2X3 - STANDARD (STD)



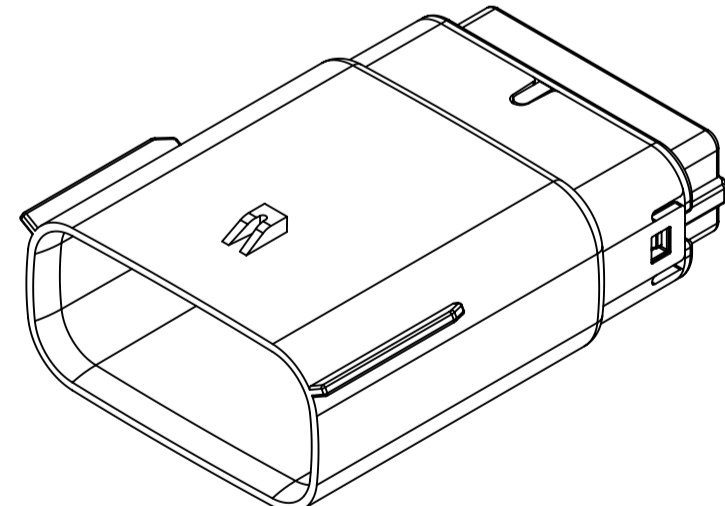
2X3 - LENGTHENED



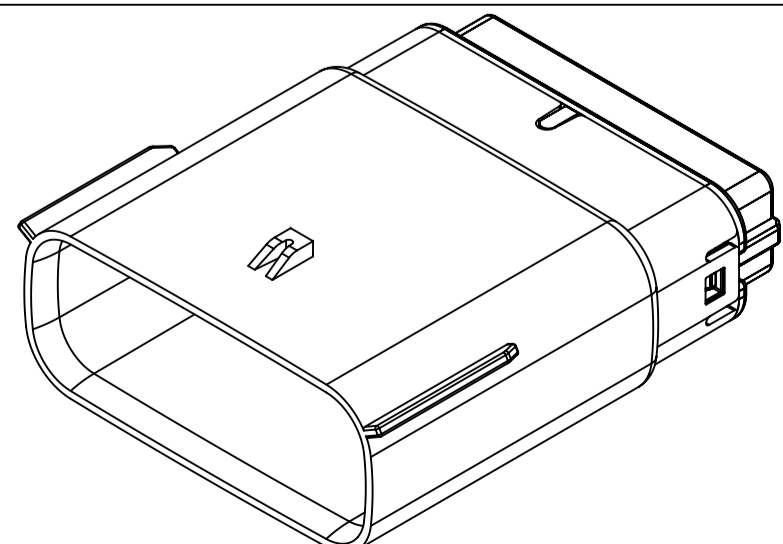
2X4 - STANDARD (STD)



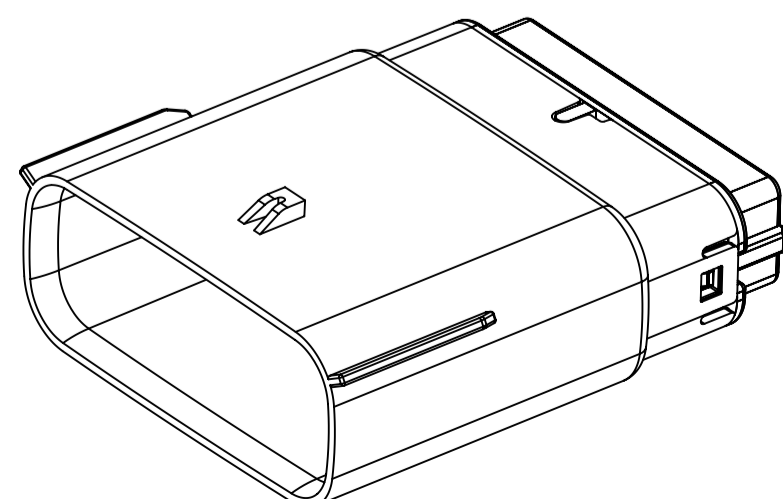
2X6 - STANDARD (STD)



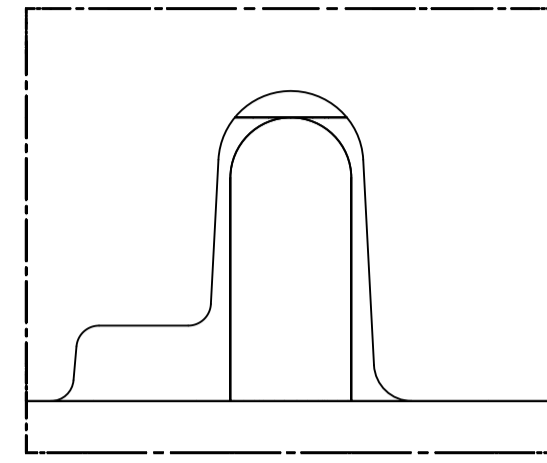
2X8 - STANDARD (STD)



2X10 - STANDARD (STD)



2X10 - UL V0*



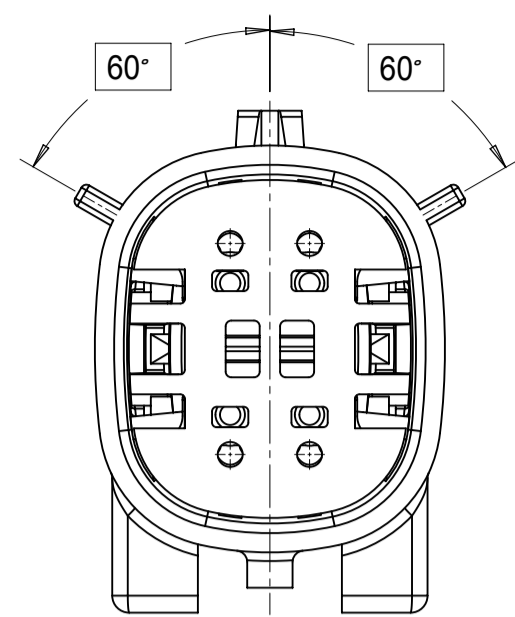
UL V0 UNIQUE FEATURE
Partial1
SCALE 10:1

* MINOR GEOMETRY CHANGE THAN STANDARD CONFIGURATION.
SEE NOTE 2a FOR MORE INFORMATION

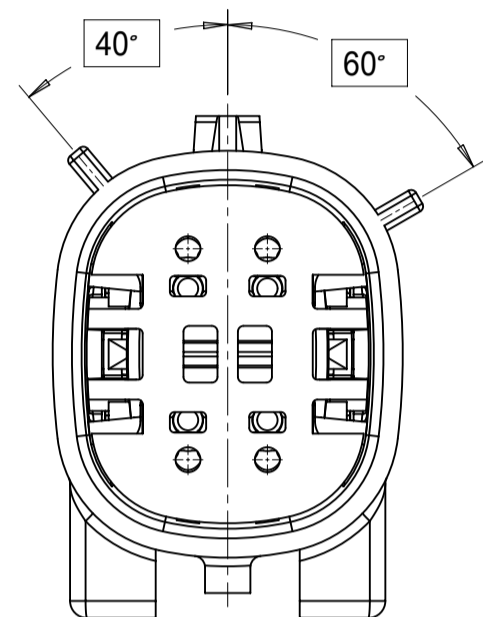
SYMBOLS = 0 = 0 = 0 = 0 = 0 = 0 = 0 = 0 = 0 = 0	THIS DRAWING CONTAINS INFORMATION THAT IS PROPRIETARY TO MOLEX ELECTRONIC TECHNOLOGIES, LLC AND SHOULD NOT BE USED WITHOUT WRITTEN PERMISSION		CURRENT REV DESC:		 MX150 BLADE DUAL ROW SEALED ASSEMBLY MAT SEAL		
	DIMENSION UNITS	SCALE	EC NO: 171650				
	mm	1.5:1	DRWN: PMANJUNATHAC 2018/01/03		SD-33482-0001	PSD	001
	GENERAL TOLERANCES (UNLESS SPECIFIED)		CHK'D: MVANSLAMBROU 2018/02/16		REVISION		
	ANGULAR TOL ± 1.0°		APPR: MVANSLAMBROU 2018/02/16		E2		
	4 PLACES ±		INITIAL REVISION:		MATERIAL NUMBER		
	3 PLACES ±		DRWN: APROFFITT 2014/04/28		CUSTOMER		
	2 PLACES ± 0.1		APPR: VKOSHY 2014/05/14		GENERAL MARKET		
	1 PLACE ± 0.2		THIRD ANGLE PROJECTION		SHEET NUMBER		
	0 PLACES ±		DRAWING		2 OF 11		
DRAFT WHERE APPLICABLE MUST REMAIN WITHIN DIMENSIONS		SERIES					
		A1-SIZE					
		33482					

SHEET DESCRIPTION
KEY CONFIGURATIONS

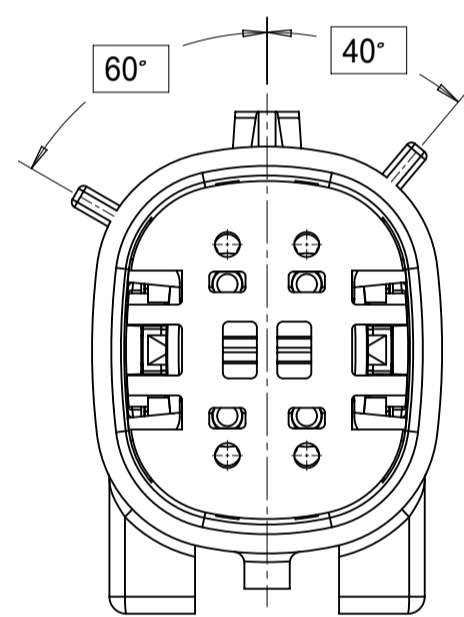
2X2



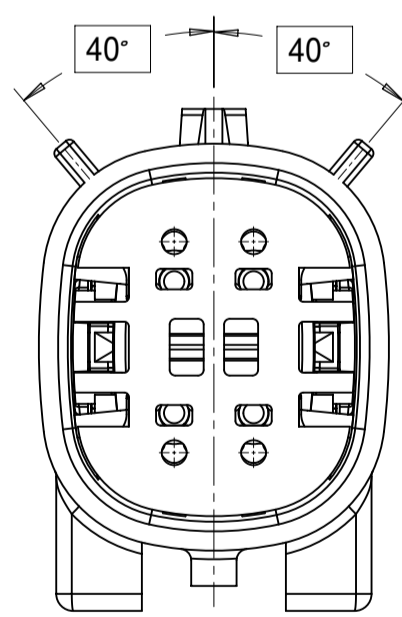
KEY A



KEY B

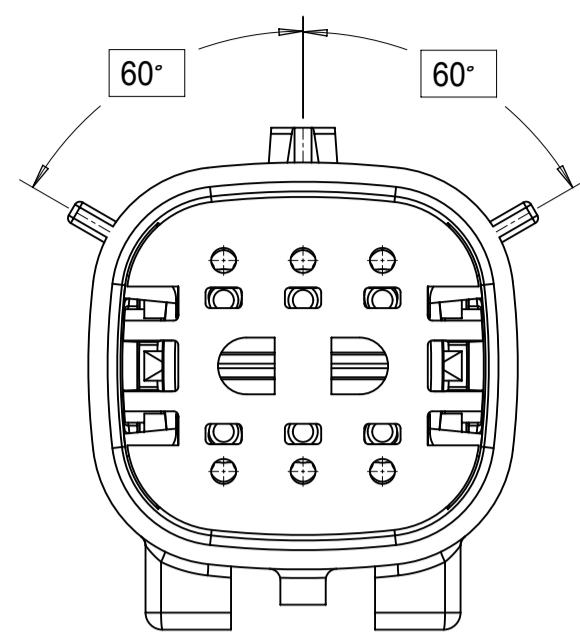


KEY C

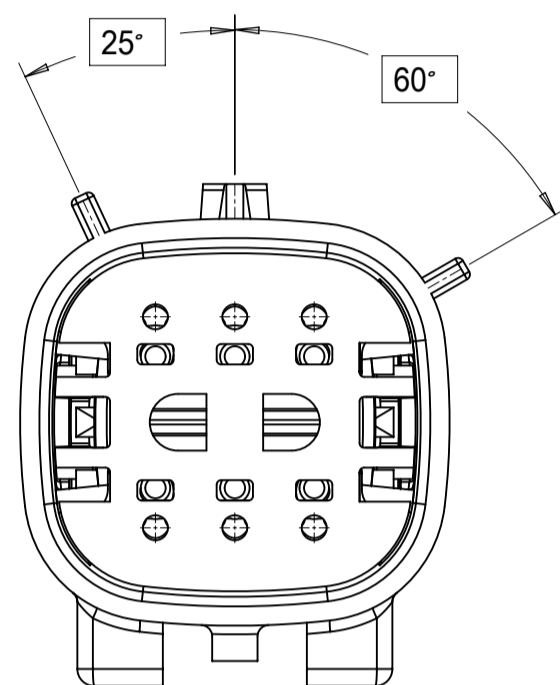


KEY D

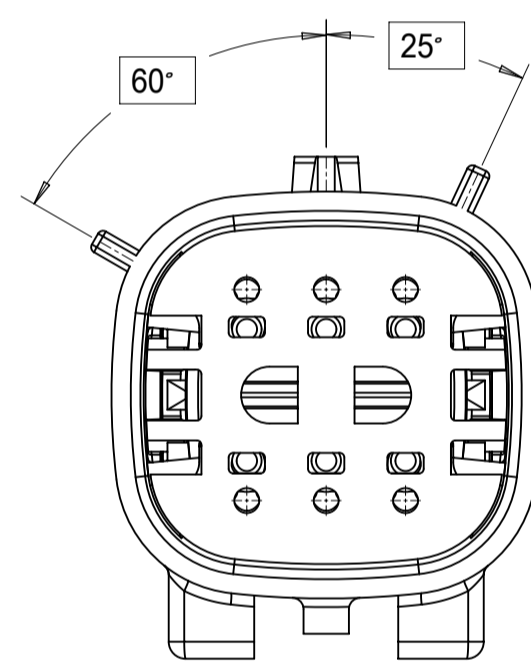
2X3



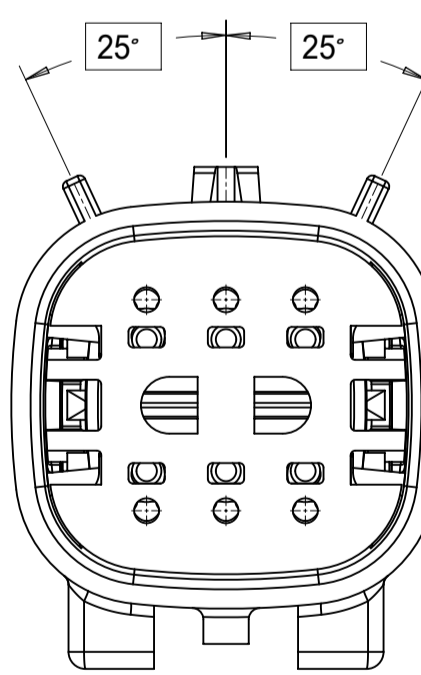
KEY A



KEY B

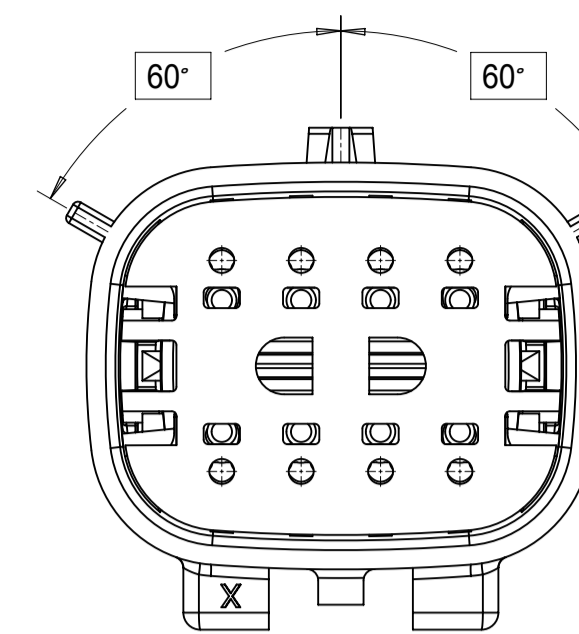


KEY C

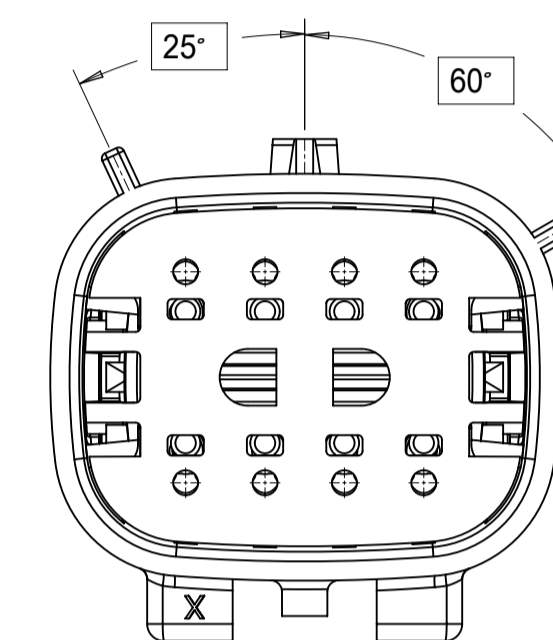


KEY D

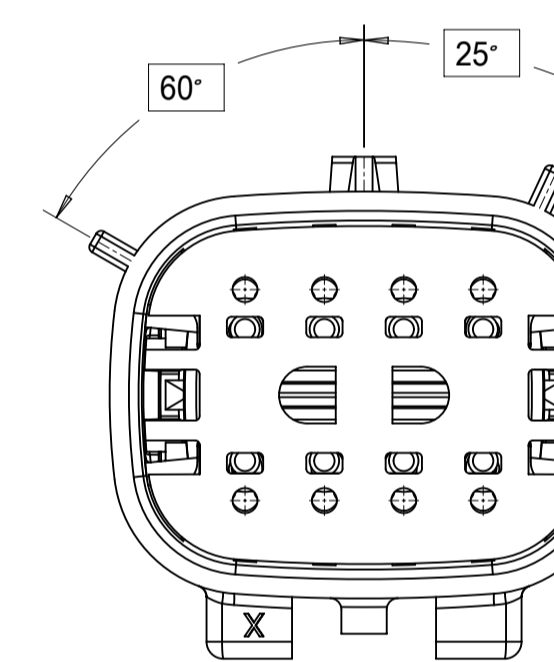
2X4



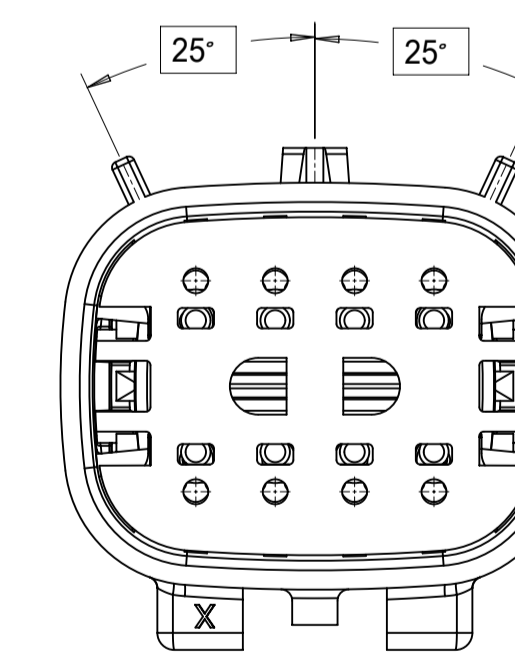
KEY A



KEY B



KEY C

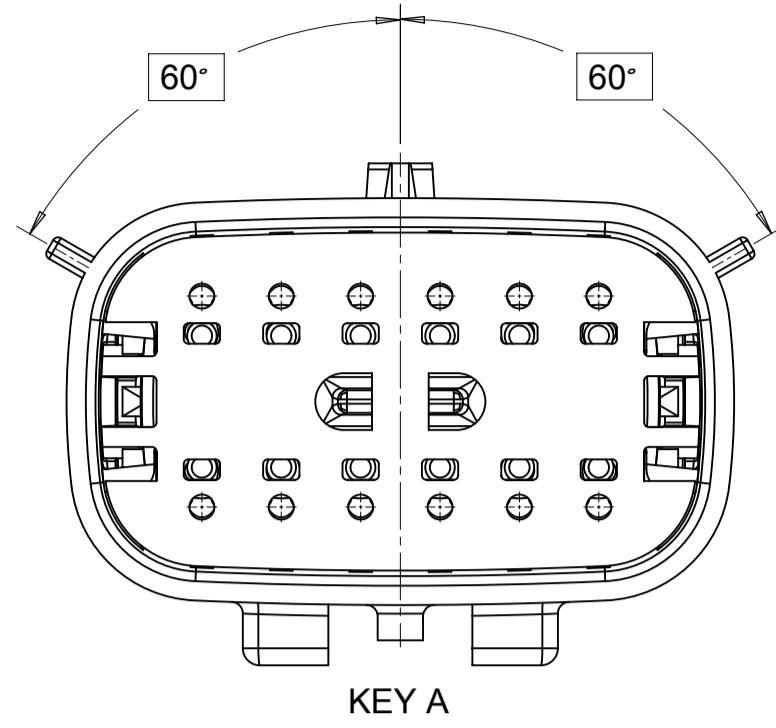


KEY D

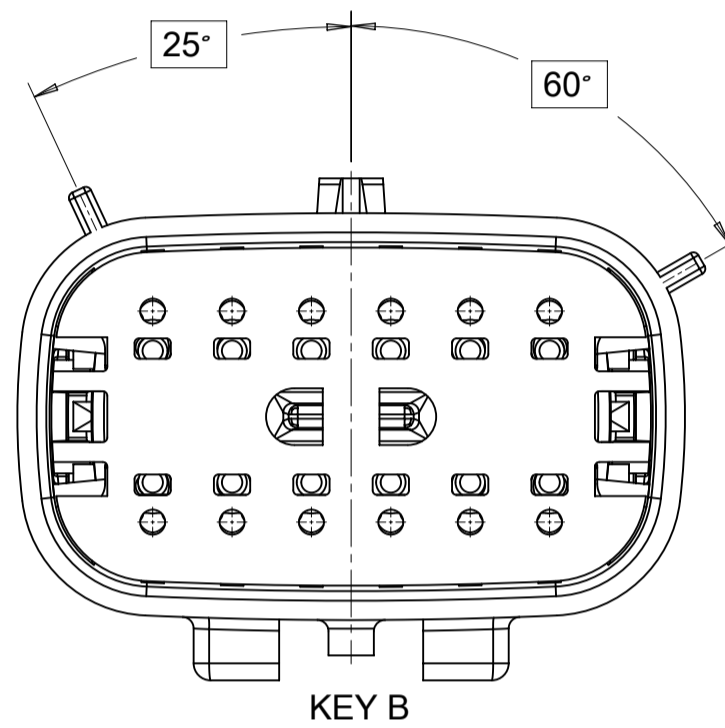
SYMBOLS = 0 = 0 = 0 = 0 = 0 = 0 = 0 = 0 = 0 = 0	THIS DRAWING CONTAINS INFORMATION THAT IS PROPRIETARY TO MOLEX ELECTRONIC TECHNOLOGIES, LLC AND SHOULD NOT BE USED WITHOUT WRITTEN PERMISSION DIMENSION UNITS: mm SCALE: 3:1	CURRENT REV DESC: EC NO: 171650 DRWN: PMANJUNATHAC 2018/01/03 CHK'D: MVANSLAMBROU 2018/02/16 APPR: MVANSLAMBROU 2018/02/16	 MX150 BLADE DUAL ROW SEALED ASSEMBLY MAT SEAL PRODUCT CUSTOMER DRAWING		
	GENERAL TOLERANCES (UNLESS SPECIFIED) ANGULAR TOL ± 1.0° 4 PLACES ± 3 PLACES ± 2 PLACES ± 0.1 1 PLACE ± 0.2 0 PLACES ±	INITIAL REVISION: DRWN: APROFFITT 2014/04/28 APPR: VKOSHY 2014/05/14			
DRAFT WHERE APPLICABLE MUST REMAIN WITHIN DIMENSIONS 	THIRD ANGLE PROJECTION DRAWING: A1-SIZE SERIES: 33482	MATERIAL NUMBER: _____ CUSTOMER: GENERAL MARKET SHEET NUMBER: 3 OF 11			

SHEET DESCRIPTION
KEY CONFIGURATIONS CONT.

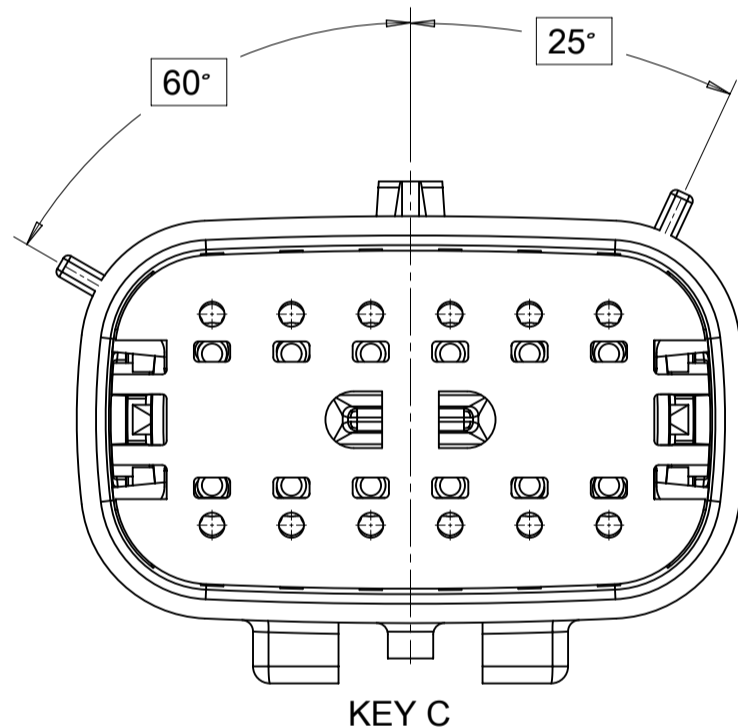
2X6



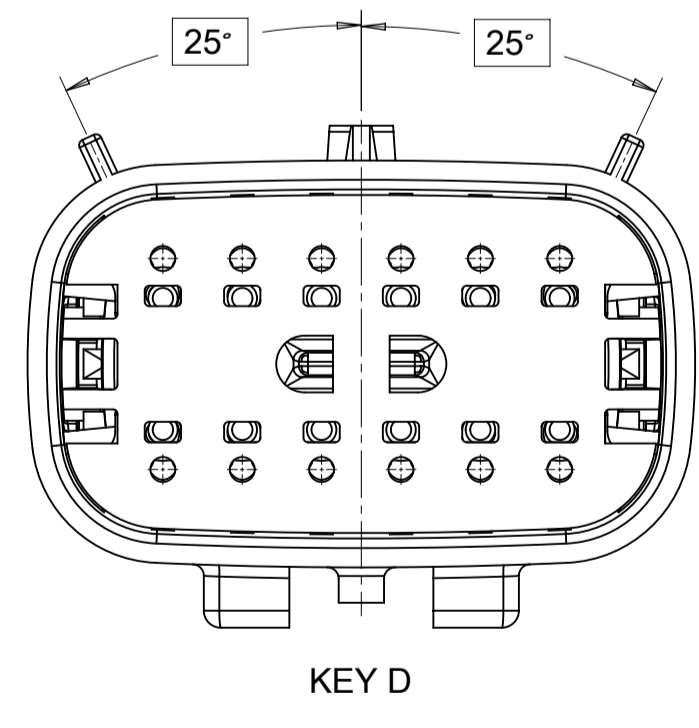
KEY A



KEY B

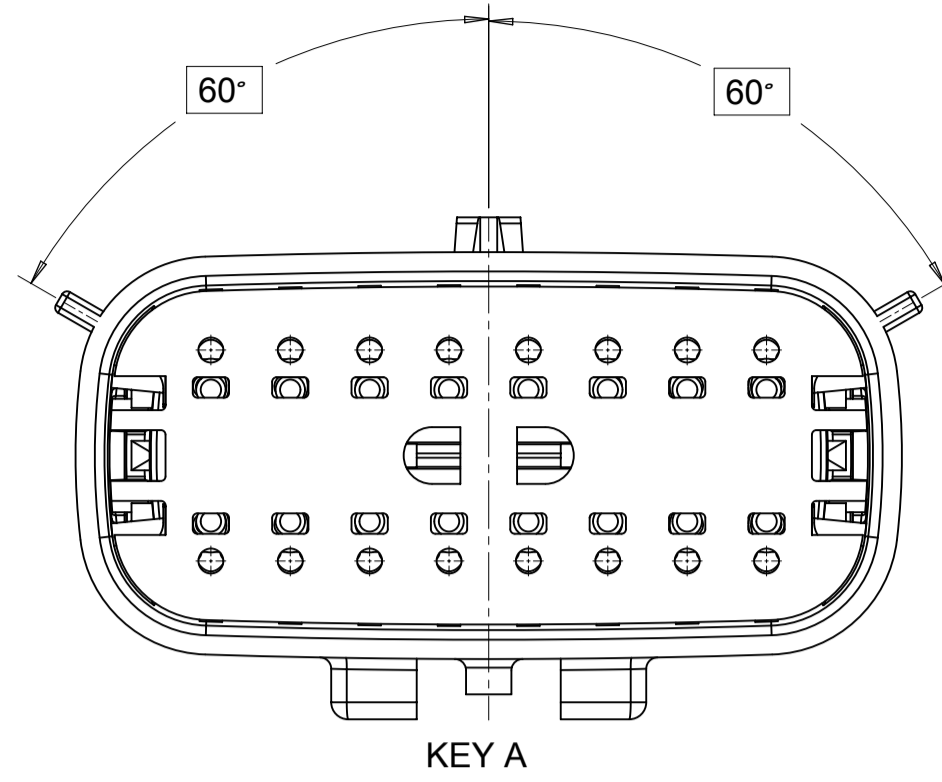


KEY C

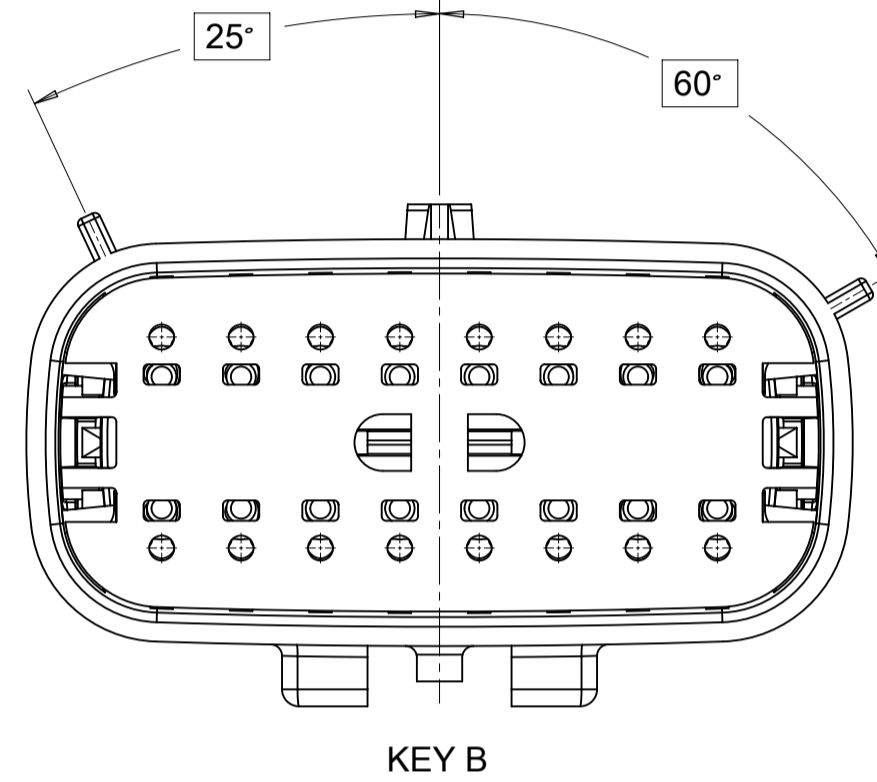


KEY D

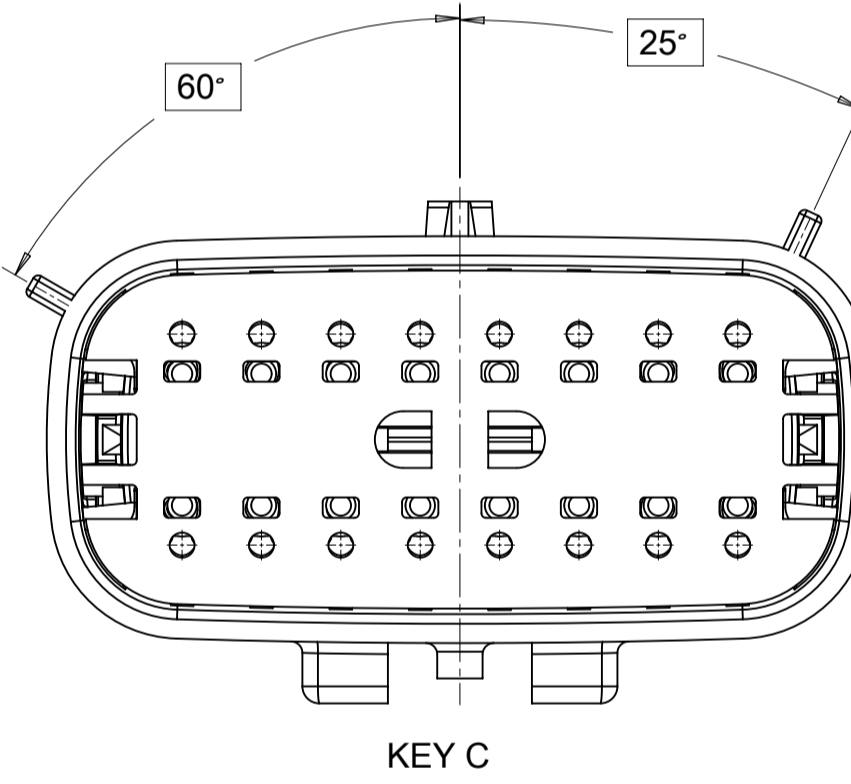
2X8



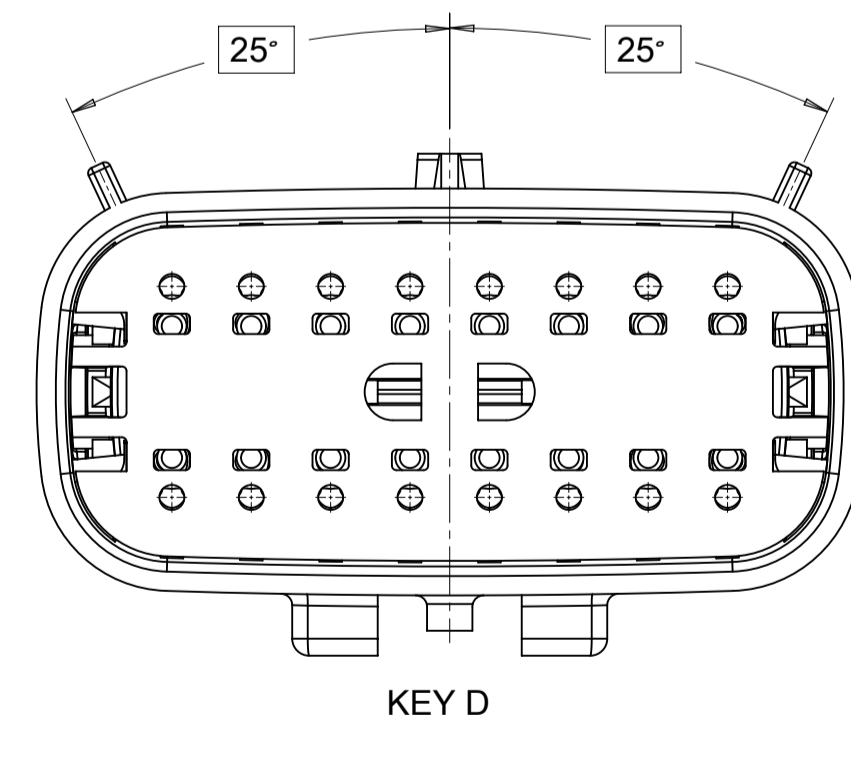
KEY A



KEY B

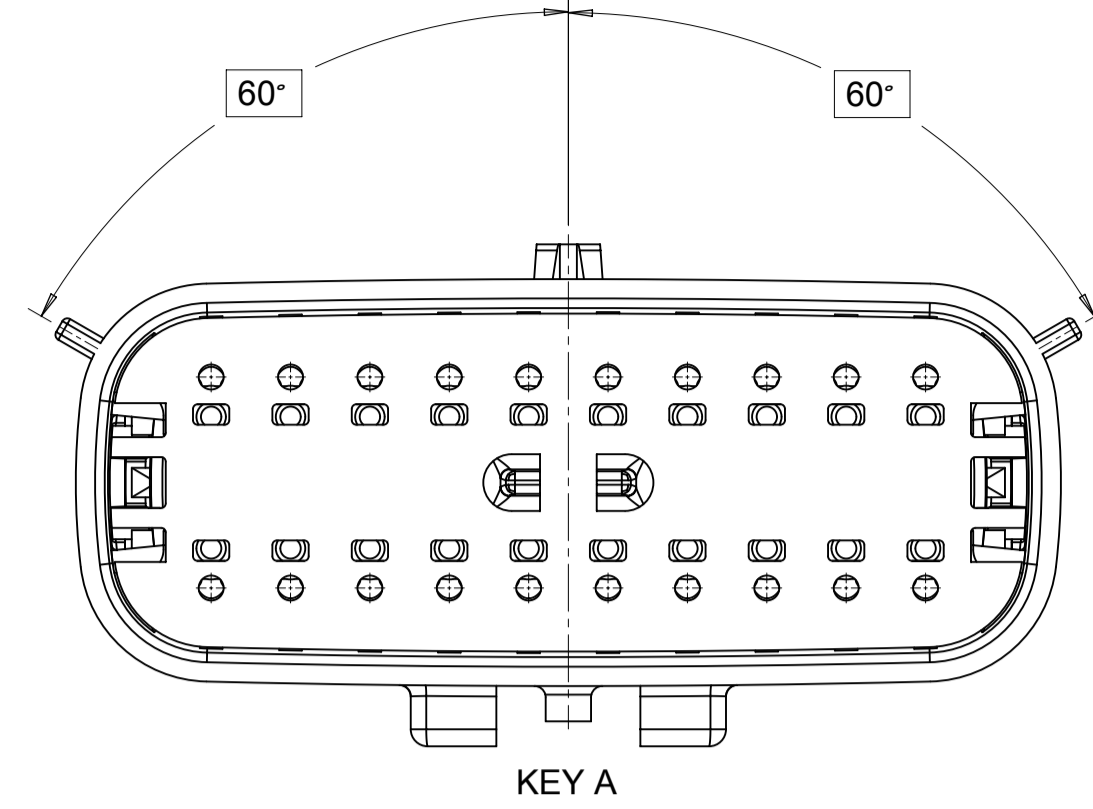


KEY C

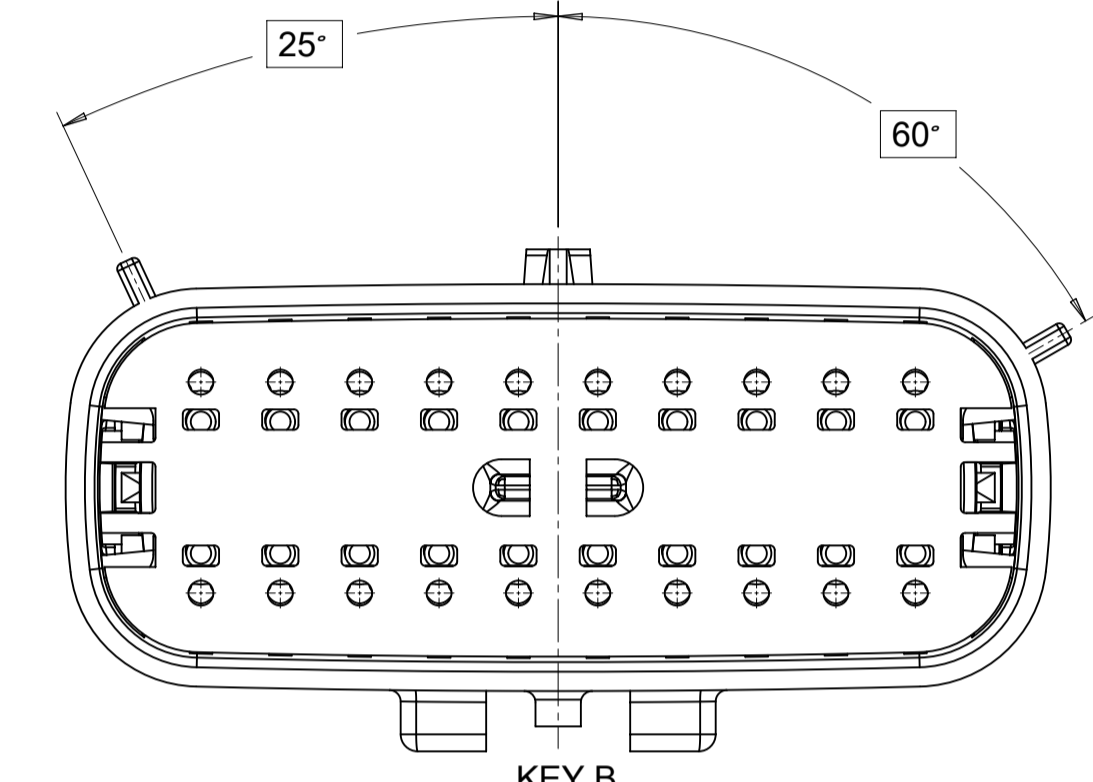


KEY D

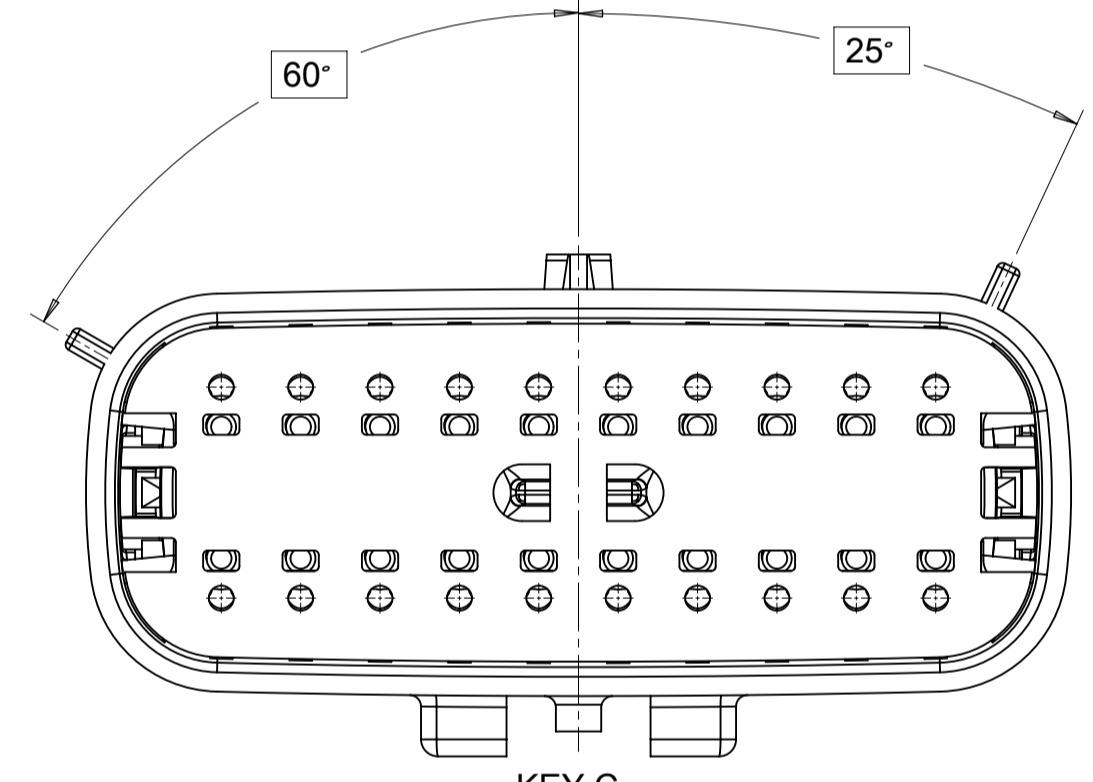
2X10



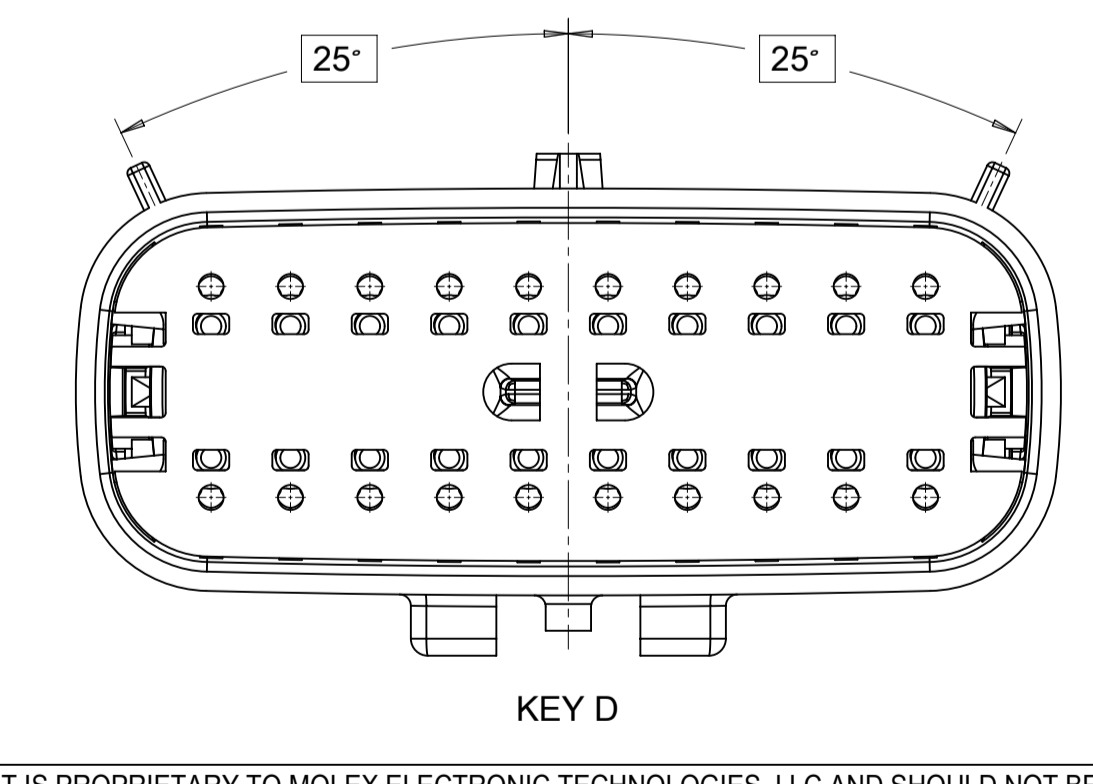
KEY A



KEY B



KEY C

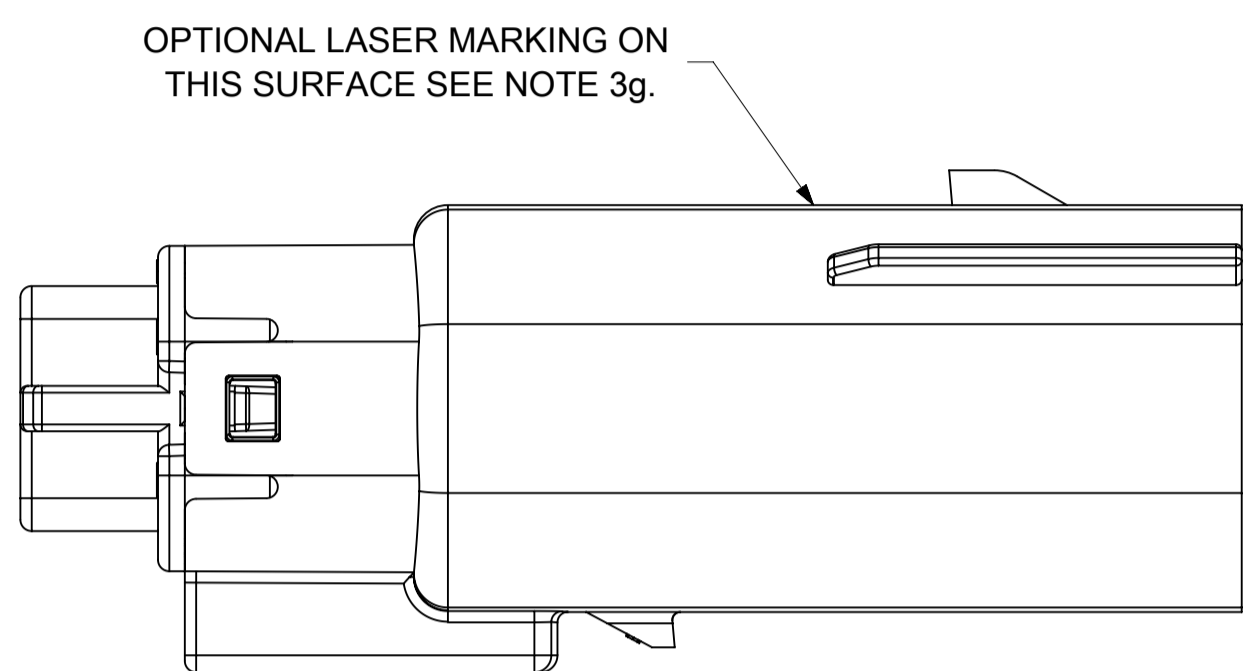


KEY D

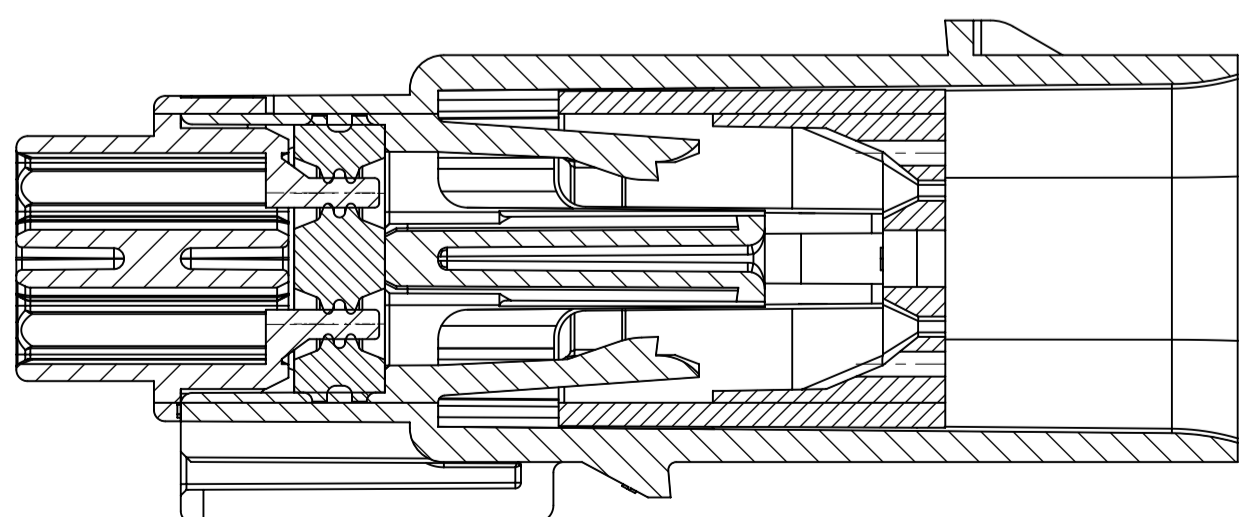
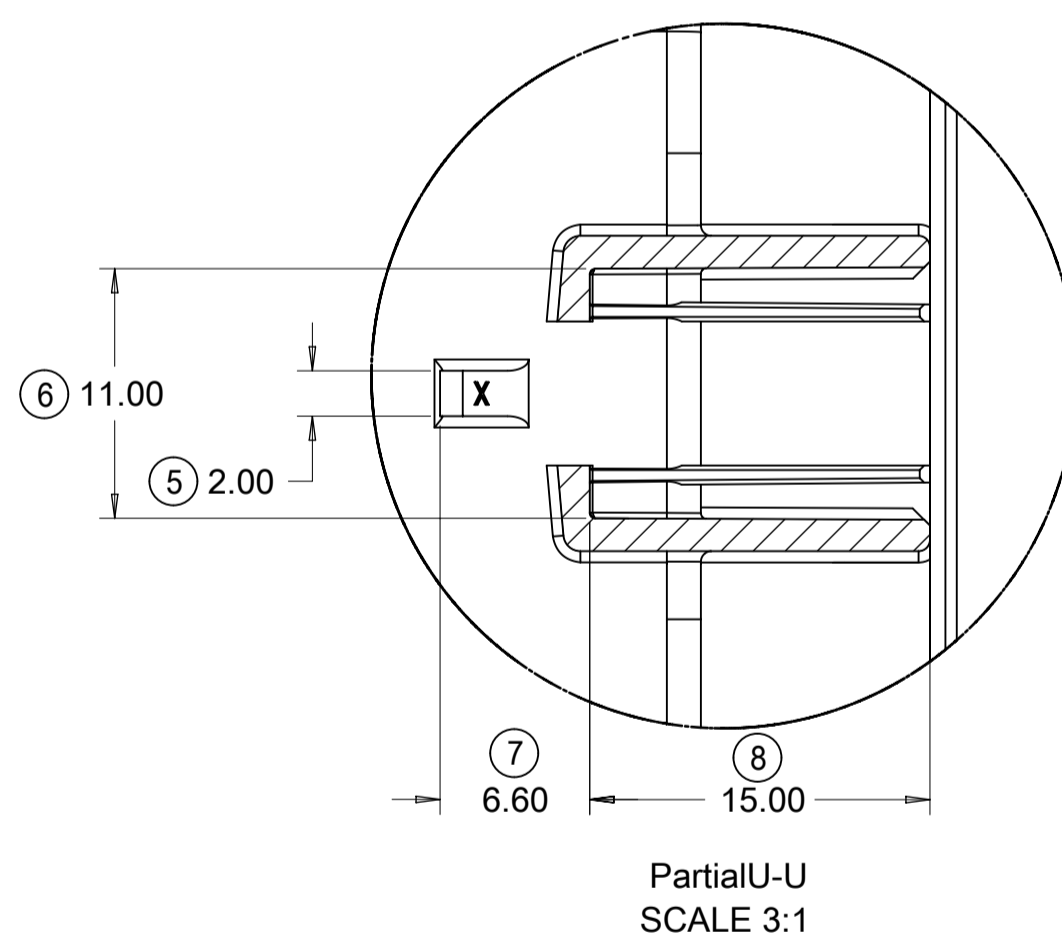
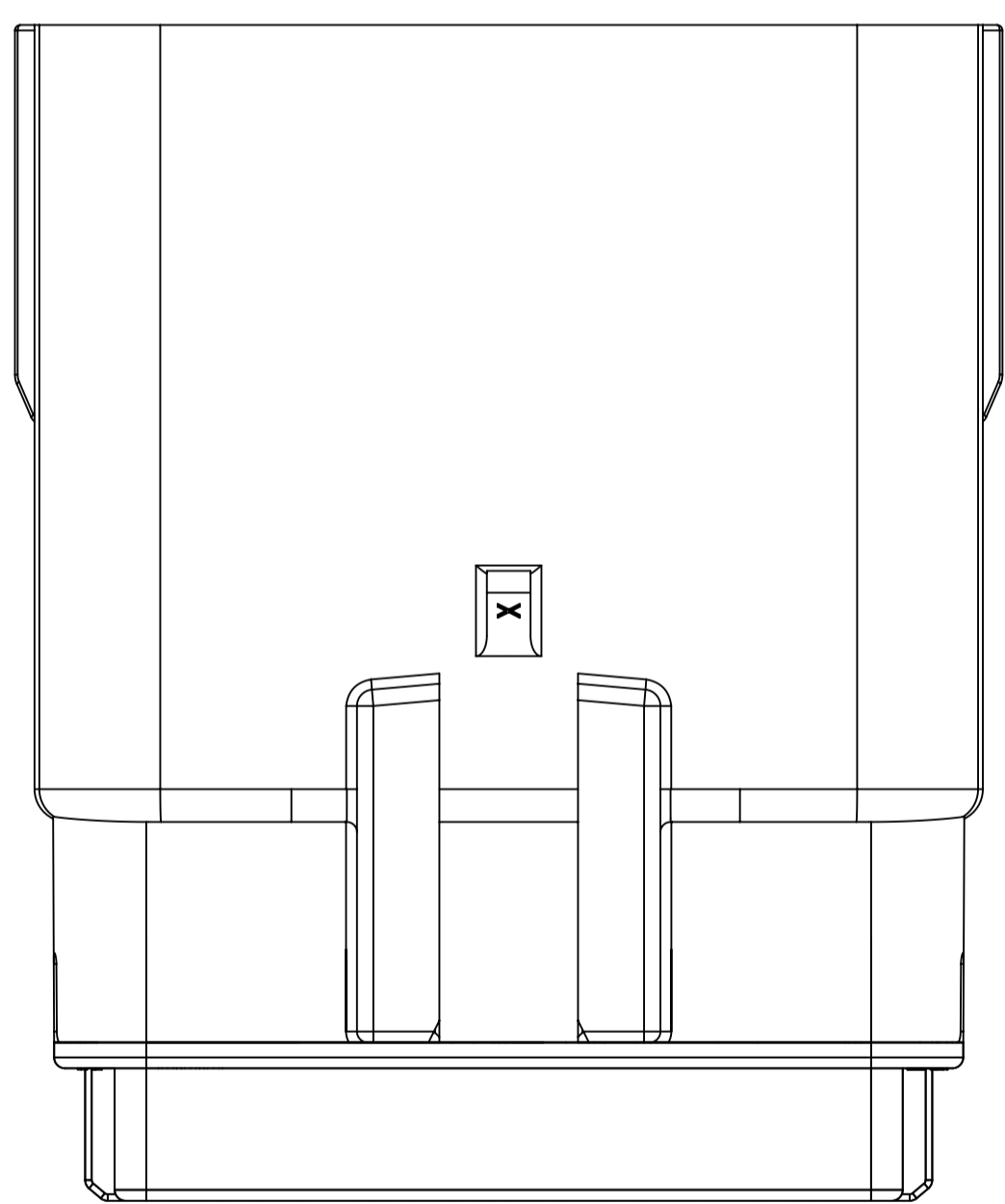
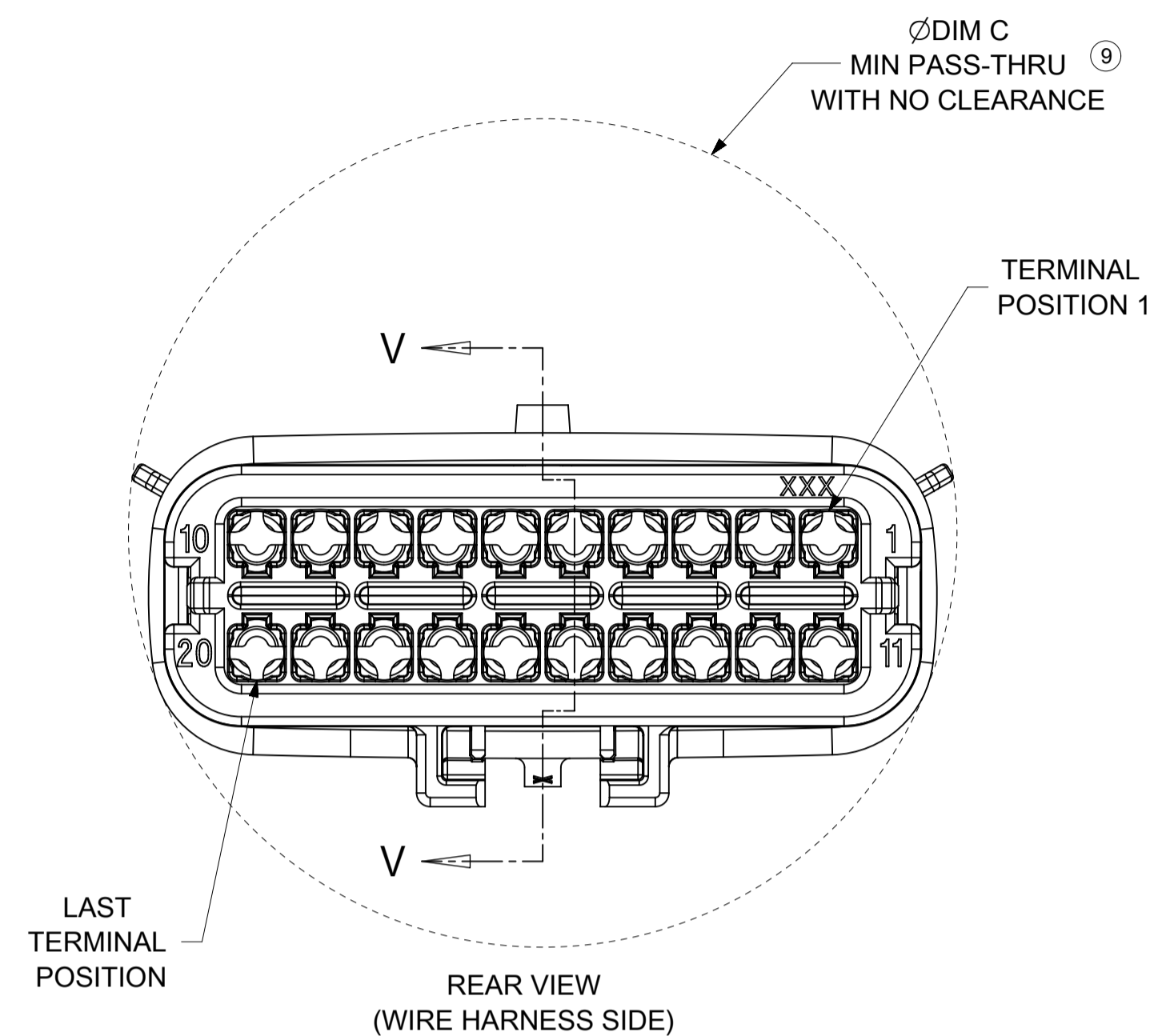
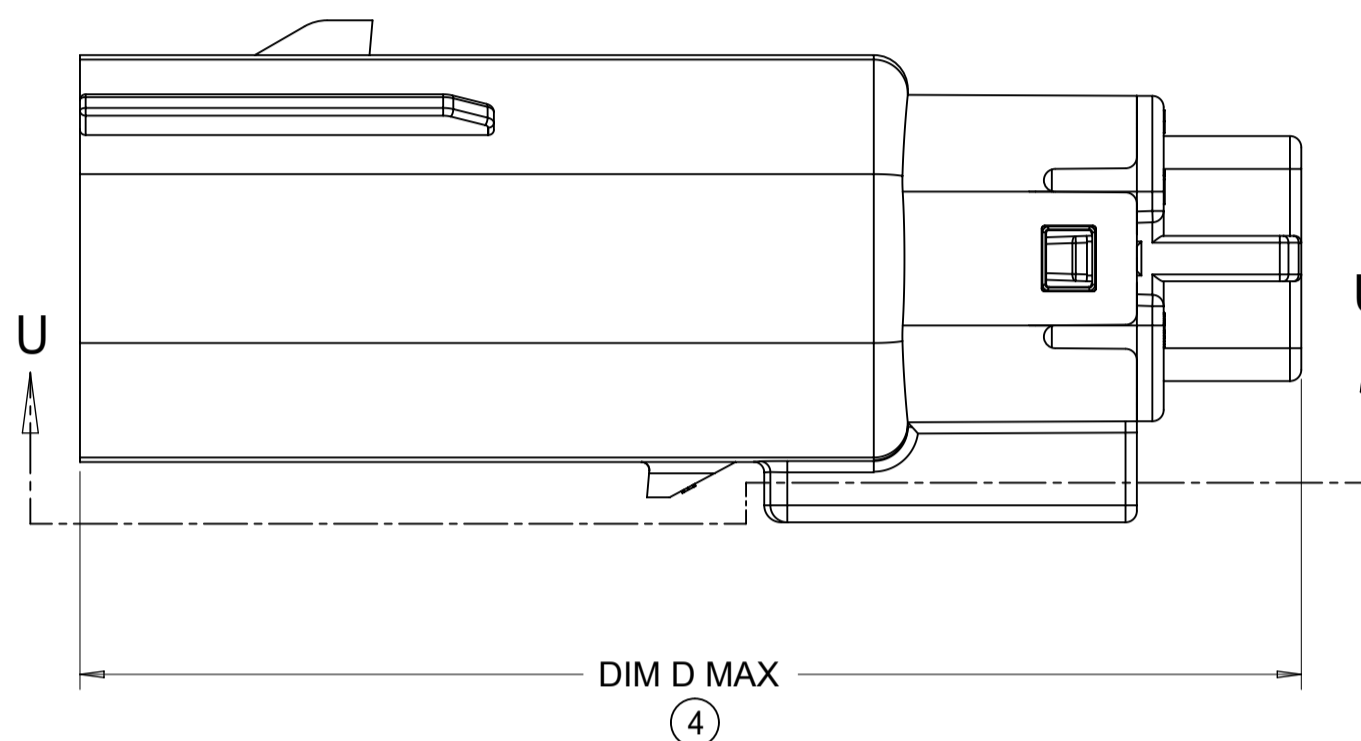
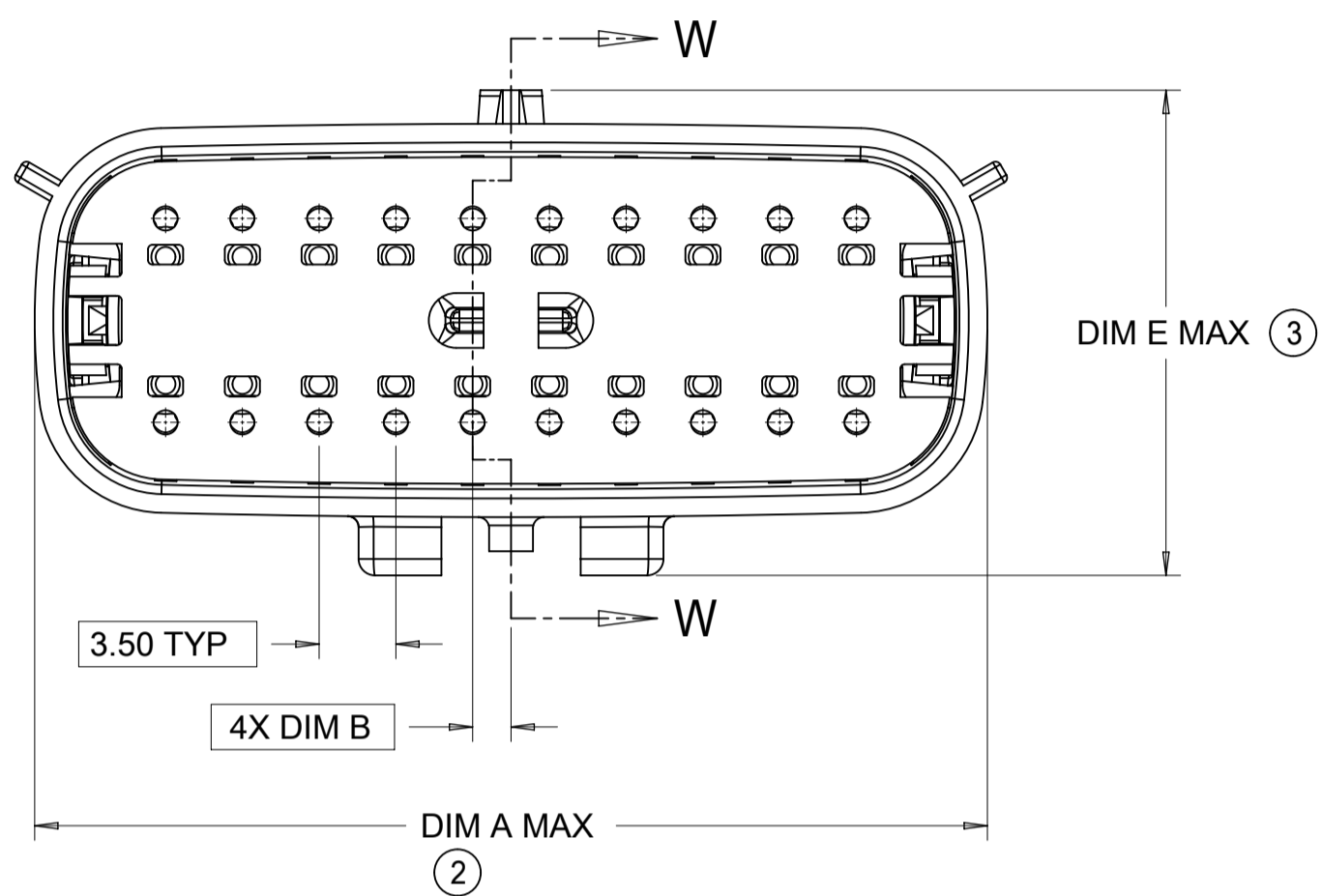
SYMBOLS = 0 = 0 = 0 = 0 = 0 = 0 = 0 = 0 = 0 = 0	THIS DRAWING CONTAINS INFORMATION THAT IS PROPRIETARY TO MOLEX ELECTRONIC TECHNOLOGIES, LLC AND SHOULD NOT BE USED WITHOUT WRITTEN PERMISSION DIMENSION UNITS: mm SCALE: 3:1	CURRENT REV DESC: EC NO: 171650 DRWN: PMANJUNATHAC 2018/01/03 CHK'D: MVANSLAMBROU 2018/02/16 APPR: MVANSLAMBROU 2018/02/16			
	GENERAL TOLERANCES (UNLESS SPECIFIED) ANGULAR TOL ± 1.0° 4 PLACES ± 3 PLACES ± 2 PLACES ± 0.1 1 PLACE ± 0.2 0 PLACES ±	INITIAL REVISION: DRWN: APROFFITT 2014/04/28 APPR: VKOSHY 2014/05/14	PRODUCT CUSTOMER DRAWING DOCUMENT NUMBER: SD-33482-0001 DOC TYPE: PSD DOC PART: 001 REVISION: E2		
DRAFT WHERE APPLICABLE MUST REMAIN WITHIN DIMENSIONS	THIRD ANGLE PROJECTION 	DRAWING: A1-SIZE SERIES: 33482	MATERIAL NUMBER GENERAL MARKET	CUSTOMER GENERAL MARKET	SHEET NUMBER 4 OF 11

SHEET DESCRIPTION
BLADE SEALED ASSEMBLY

DESCRIPTION	DIMENSIONS				
	A	B	C	D	E
2X2	15.54	1.75	24.40	54.45	22.23
2X3 STANDARD	19.04	3.50	26.21	54.45	22.23
2X3 LENGTHENED	19.04	3.50	26.21	56.45	22.23
2X4	22.54	1.75	27.21	54.45	22.23
2X6	29.54	1.75	32.27	54.45	22.23
2X8	36.54	1.75	38.88	54.45	22.23
2X10	43.64	1.75	45.65	54.45	22.05

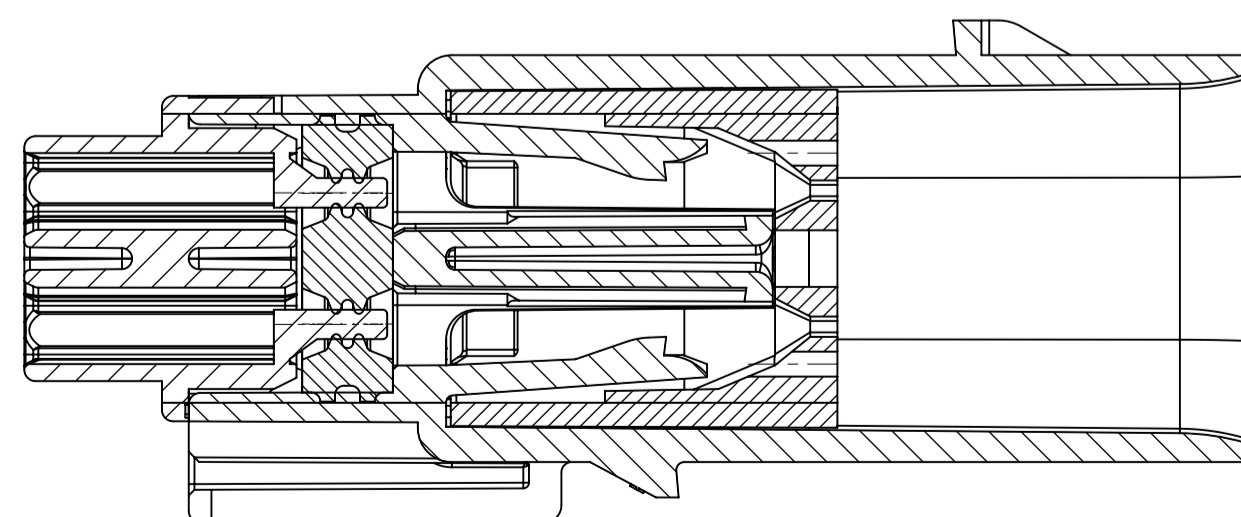


OPTIONAL LASER MARKING ON THIS SURFACE SEE NOTE 3g.



PRIMARY LOCK REINFORCEMENT (PLR) SHOWN IN PRE-STAGED POSITION

SECTION W-W



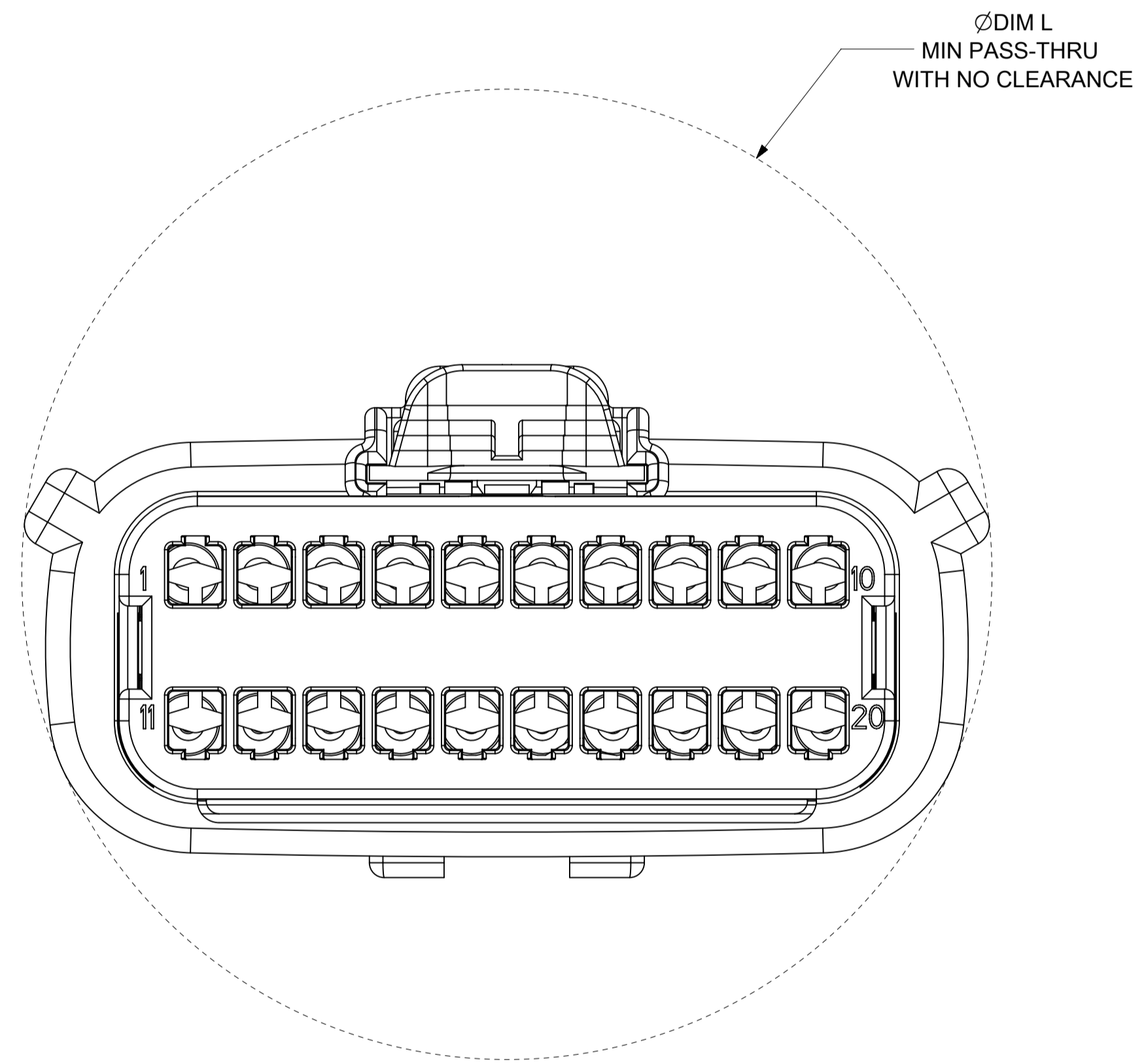
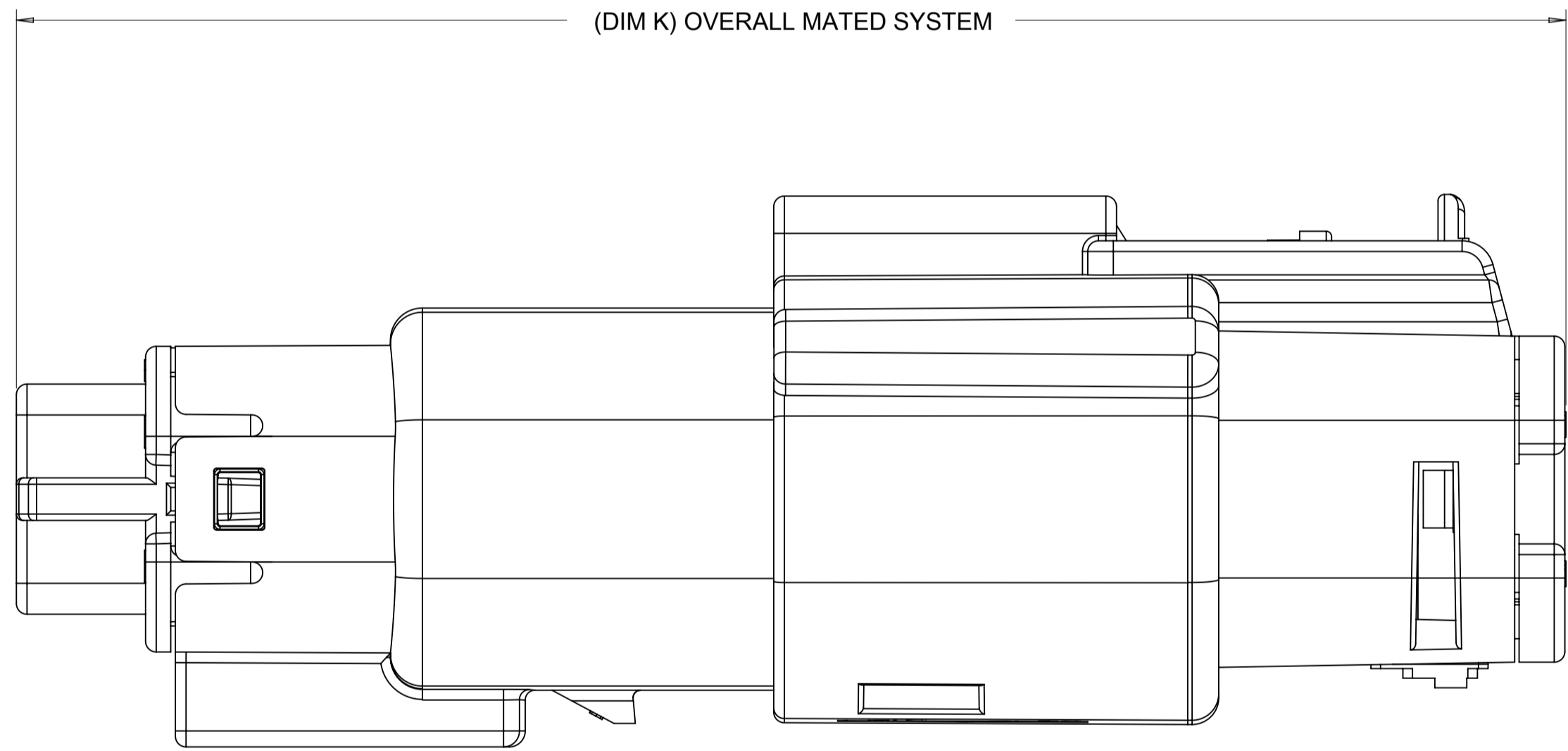
PRIMARY LOCK REINFORCEMENT (PLR) SHOWN IN FINAL-LOCK POSITION

SECTION V-V

SYMBOLS THIS DRAWING CONTAINS INFORMATION THAT IS PROPRIETARY TO MOLEX ELECTRONIC TECHNOLOGIES, LLC AND SHOULD NOT BE USED WITHOUT WRITTEN PERMISSION DIMENSION UNITS: mm SCALE: 3:1 GENERAL TOLERANCES (UNLESS SPECIFIED): ANGULAR TOL: ± 1.0° 4 PLACES: ± 3 PLACES: ± 2 PLACES: ± 0.1 1 PLACE: ± 0.2 0 PLACES: ± DRAFT WHERE APPLICABLE MUST REMAIN WITHIN DIMENSIONS	CURRENT REV DESC:		 MX150 BLADE DUAL ROW SEALED ASSEMBLY MAT SEAL PRODUCT CUSTOMER DRAWING	
	EC NO: 171650 DRWN: PMANJUNATHAC 2018/01/03 CHK'D: MVANSLAMBROU 2018/02/16 APPR: MVANSLAMBROU 2018/02/16			DOCUMENT NUMBER: SD-33482-0001 DOC TYPE: PSD DOC PART: 001 REVISION: E2
	INITIAL REVISION: DRWN: APROFFITT 2014/04/28 APPR: VKOSHY 2014/05/14			MATERIAL NUMBER: 33482 CUSTOMER: GENERAL MARKET
	THIRD ANGLE PROJECTION DRAWING: A1-SIZE SERIES: 33482			SHEET NUMBER: 5 OF 11

SHEET DESCRIPTION
SYSTEM PACKAGING

CHARTED DIMENSION				
CKT	BLADE CONFIGURATION	RECEPTACLE CONFIGURATION	DIMENSIONS	
			K	L
2X2	STANDARD	W/O CLIPSLOT	72.78	28.00
		W/ CLIPSLOT	72.78	28.50
		LENGTHENED	77.21	28.00
2X3	STANDARD	W/O CLIPSLOT	72.78	28.00
		W/ CLIPSLOT		30.50
	LENGTHENED	W/O CLIPSLOT	74.79	28.00
		W/ CLIPSLOT		30.50
2X4	STANDARD	W/O CLIPSLOT	72.78	29.50
		W/ CLIPSLOT		31.50
2X6	STANDARD	W/O CLIPSLOT	72.79	35.58
		W/ CLIPSLOT		
2X8	STANDARD	W/O CLIPSLOT	72.67	42.25
		W/ CLIPSLOT		
2X10	STANDARD	STANDARD	72.78	49.05



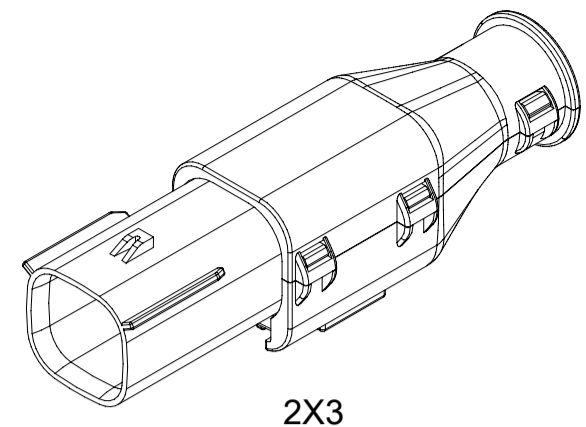
SYMBOLS ▽ = 0 ▽ = 0 ▽ = 0 ▽ = 0 ▽ = 0 ▽ = 0 ▽ = 0 ▽ = 0 ▽ = 0 ▽ = 0	THIS DRAWING CONTAINS INFORMATION THAT IS PROPRIETARY TO MOLEX ELECTRONIC TECHNOLOGIES, LLC AND SHOULD NOT BE USED WITHOUT WRITTEN PERMISSION	DIMENSION UNITS	SCALE	CURRENT REV DESC:						
	mm	4:1	EC NO: 171650 DRWN: PMANJUNATHAC 2018/01/03 CHK'D: MVANSLAMBROU 2018/02/16 APPR: MVANSLAMBROU 2018/02/16							
	GENERAL TOLERANCES (UNLESS SPECIFIED)				INITIAL REVISION:			DOCUMENT NUMBER SD-33482-0001		
	ANGULAR TOL ± 1.0°				DRWN: APROFFITT 2014/04/28 APPR: VKOSHY 2014/05/14			DOC TYPE DOC PART REVISION PSD 001 E2		
	4 PLACES ±				DRAFT WHERE APPLICABLE MUST REMAIN WITHIN DIMENSIONS			MATERIAL NUMBER 33482		
	3 PLACES ±				THIRD ANGLE PROJECTION 			CUSTOMER GENERAL MARKET		
	2 PLACES ± 0.1				DRAWING A1-SIZE			SHEET NUMBER 6 OF 11		
	1 PLACE ± 0.2				SERIES 33482					
	0 PLACES ±									

SHEET DESCRIPTION
BACKSHELL NOTES

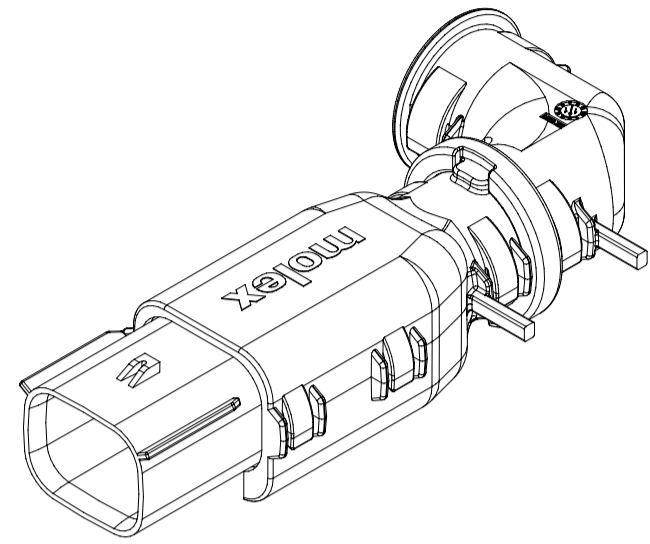
BACKSHELL NOTES: VALID UNLESS OTHERWISE SPECIFIED

1. GENERAL:

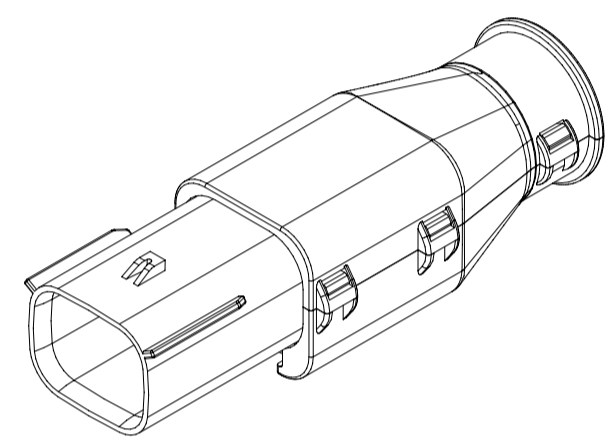
- a. APPLICATION SPECIFICATION SEE: AS-34951-001
- DESIGNED TO MATE WITH BLADE SEALED ASSEMBLY SPECIFIED IN MOLEX DRAWING SD-33482-0001.
- SYSTEM TO BE USED WITH WIRE WITHIN DIAMETER RANGE OF 1.2mm TO 2.69mm.
- COMPONENTS ARE OPTIONAL AND MUST BE PURCHASED SEPERATELY.
- DESIGN IS OWNED BY SCHLEMMER FOR SCHLEMMER BACKSHELL.
- DESIGN IS OWNED BY MOLEX FOR MOLEX BACKSHELL.
- 90° ADAPTOR DESIGN IS OWNED BY MOLEX.
- FOR ADDITIONAL INFORMATION SEE THE BACKSHELL COMPONENT DRAWING SD-34950-0001.



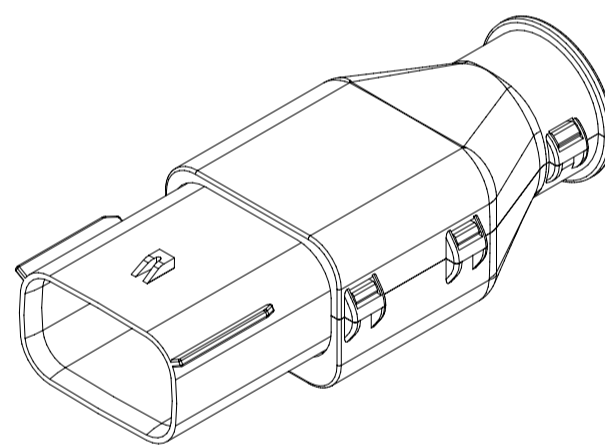
2X3



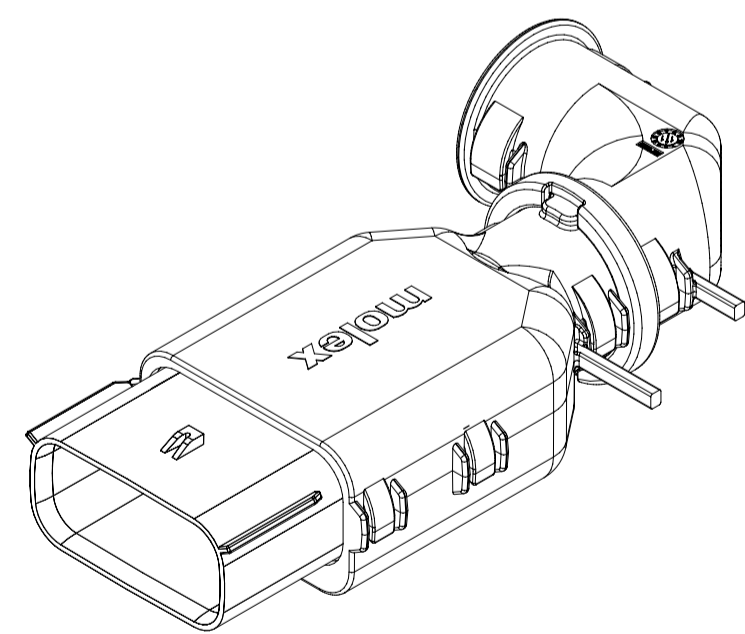
2X4



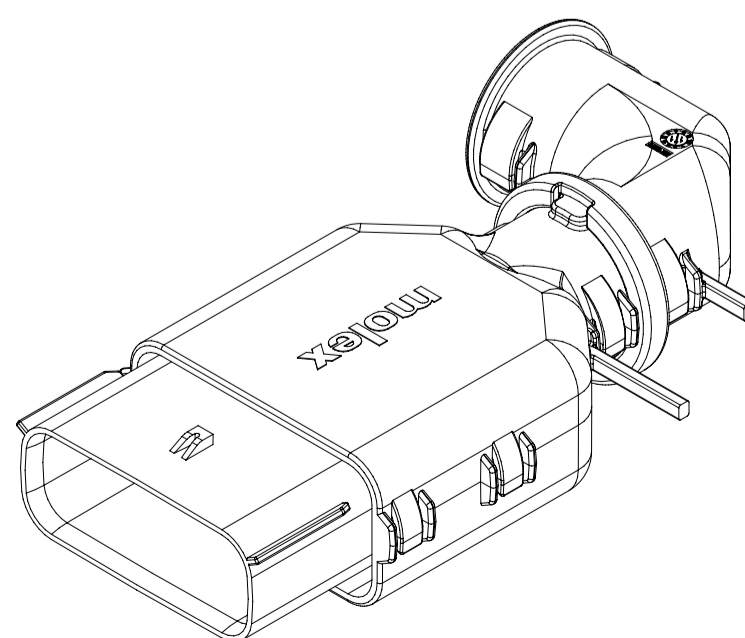
2X4



2X6



2X8



2X10

BACKSHELL CUSTOMER MODEL NUMBER LEGEND

34950-XXXX

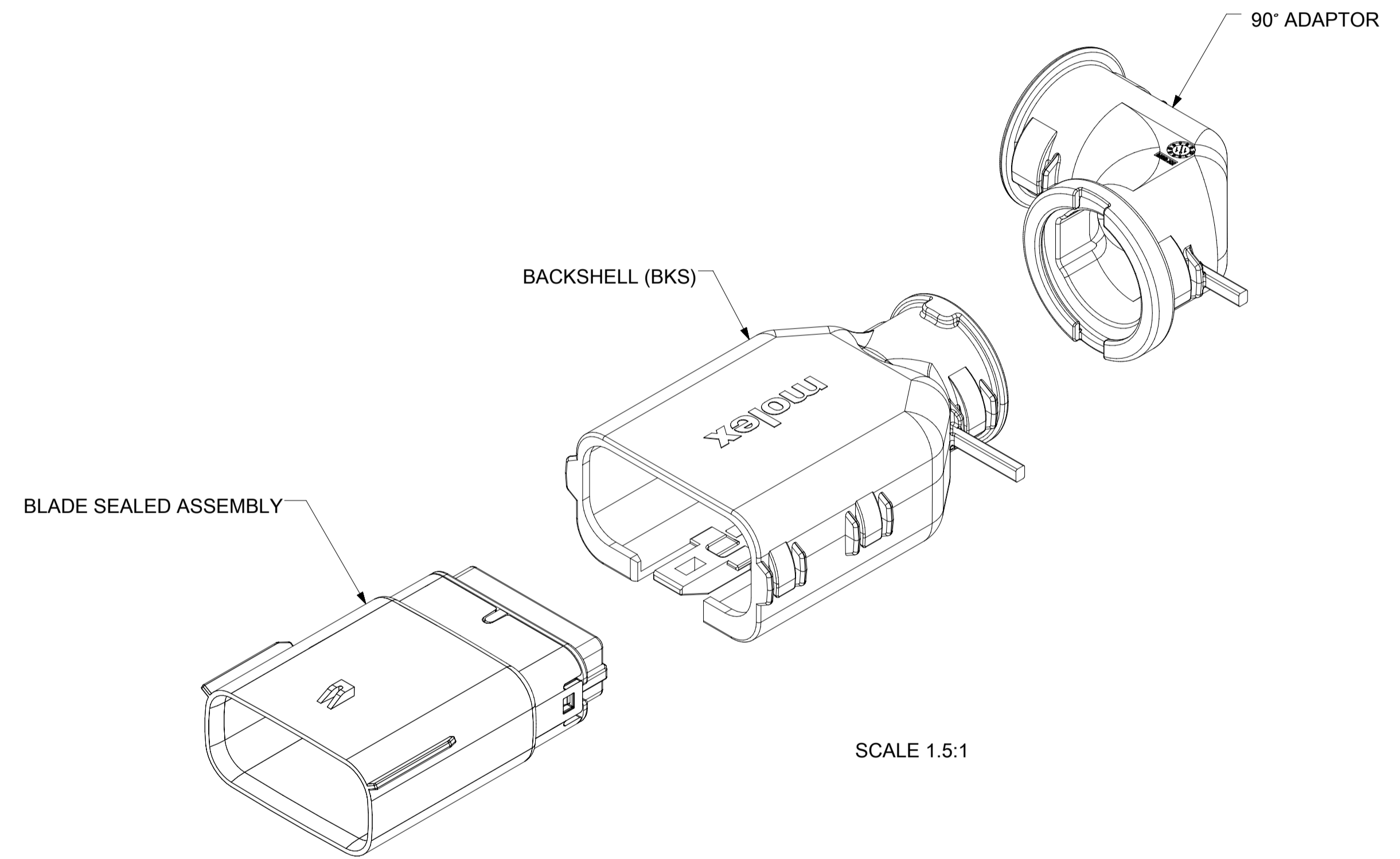
CUSTOMER MODEL COMPONENTS

- 0 - SCHLEMMER BACKSHELL ONLY
- 1 - SCHLEMMER BACKSHELL & MX150 HOUSING KEY A ASSEMBLY
- 2 - SCHLEMMER BACKSHELL & MX150 HOUSING KEY B ASSEMBLY
- 3 - SCHLEMMER BACKSHELL & MX150 HOUSING KEY C ASSEMBLY
- 4 - SCHLEMMER BACKSHELL & MX150 HOUSING KEY D ASSEMBLY
- 5 - MOLEX BACKSHELL ONLY
- 6 - MOLEX BACKSHELL & MX150 HOUSING KEY A ASSEMBLY
- 7 - MOLEX BACKSHELL & MX150 HOUSING KEY B ASSEMBLY
- 8 - MOLEX BACKSHELL & MX150 HOUSING KEY C ASSEMBLY
- 9 - MOLEX BACKSHELL & MX150 HOUSING KEY D ASSEMBLY

BACKSHELL FEATURES

- 1 - WITH RIBS
- 2 - WITHOUT RIBS
- 3 - 90° ADAPTOR

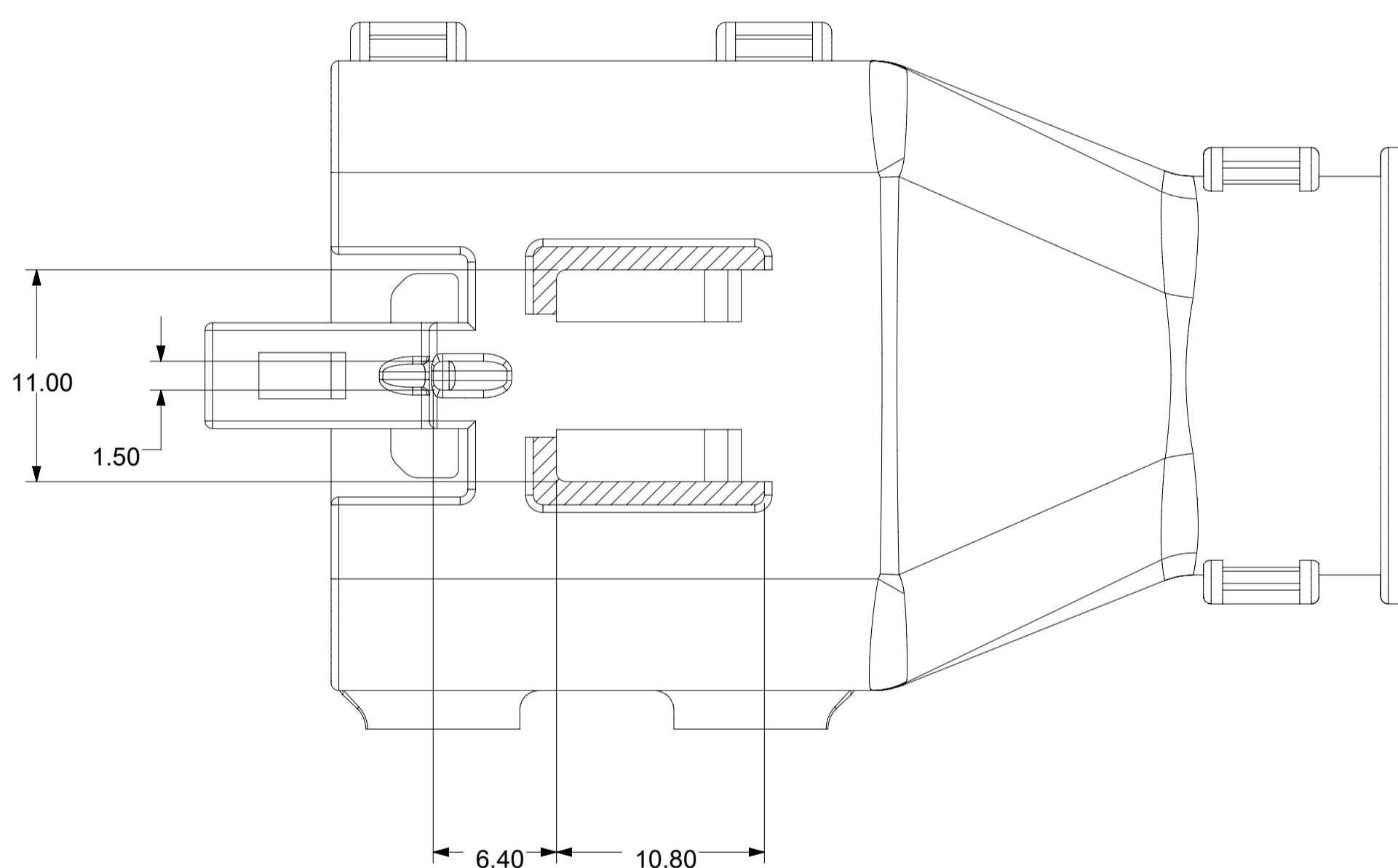
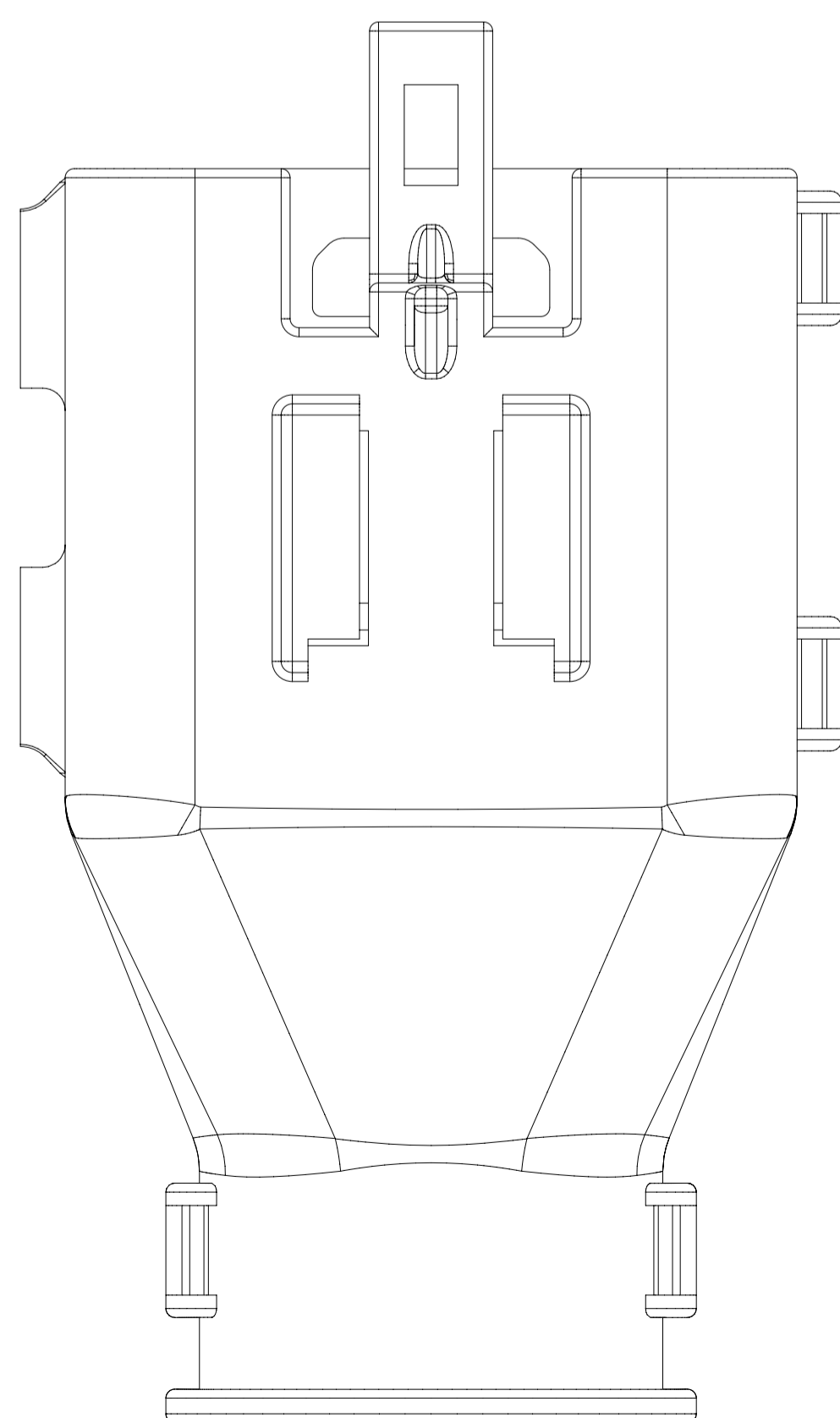
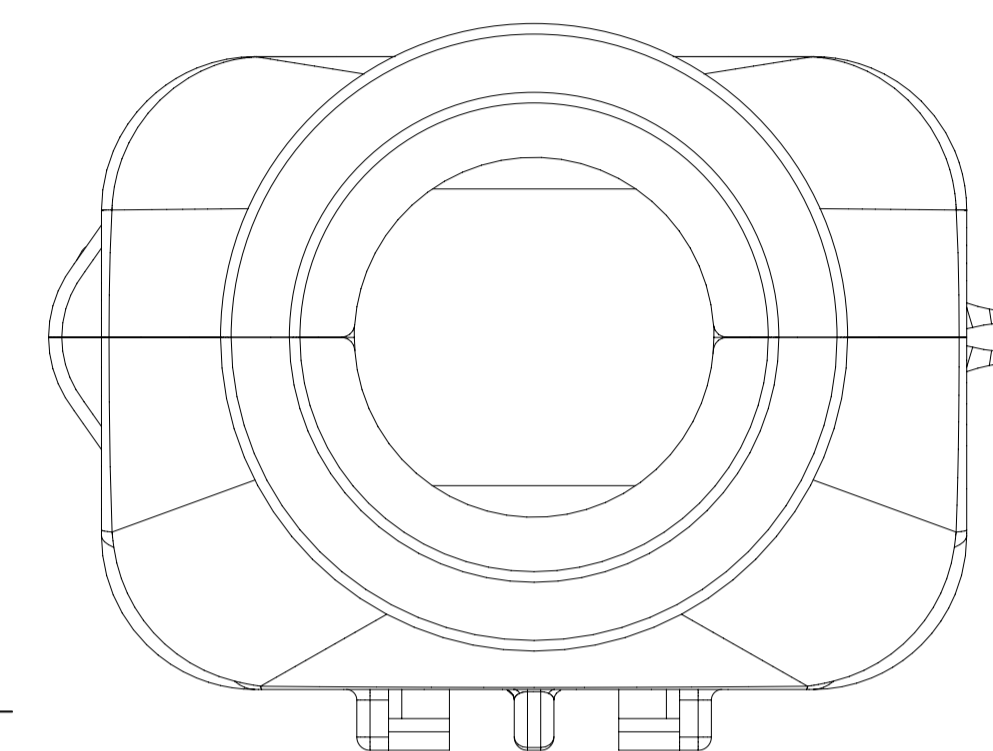
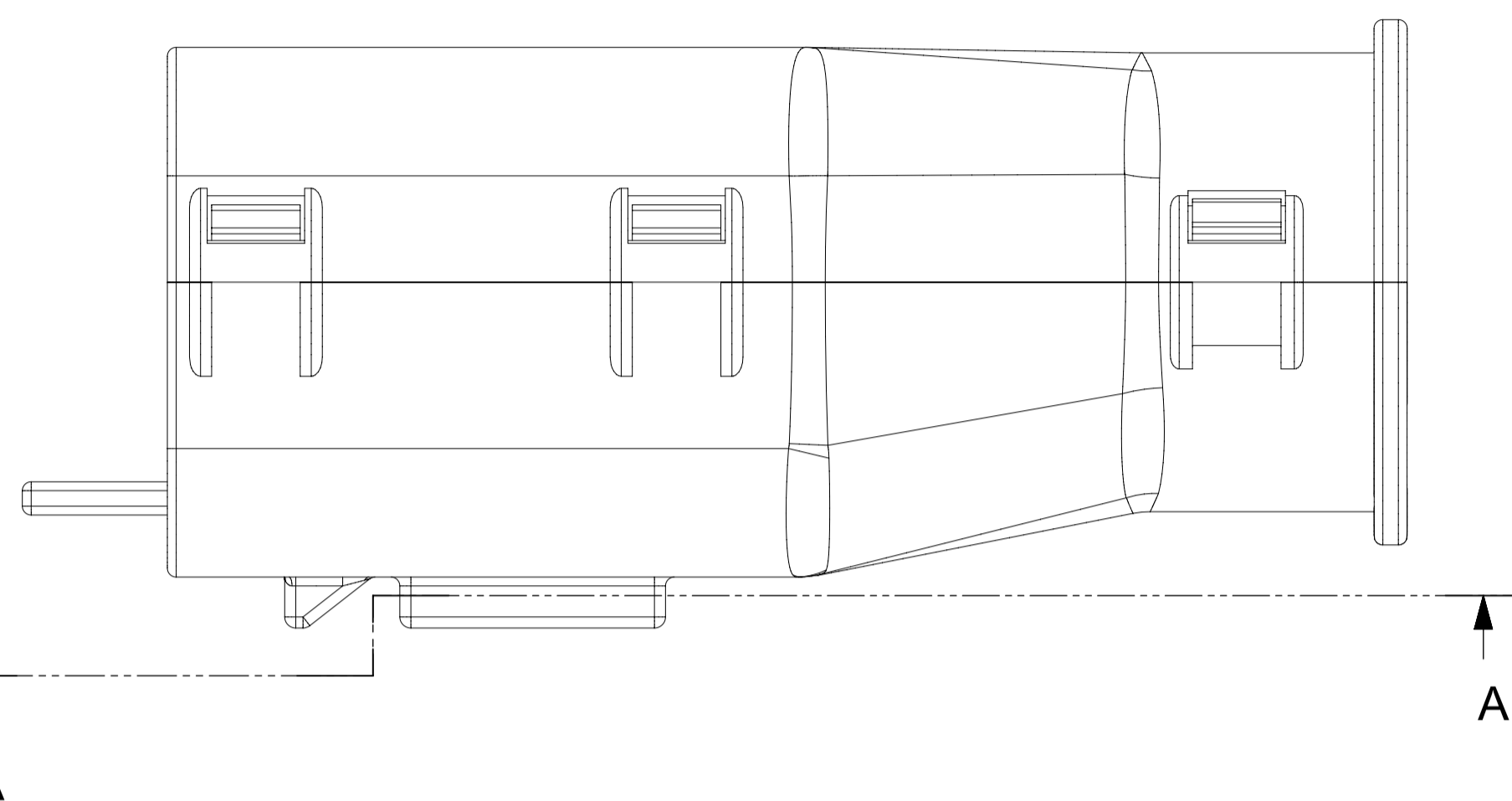
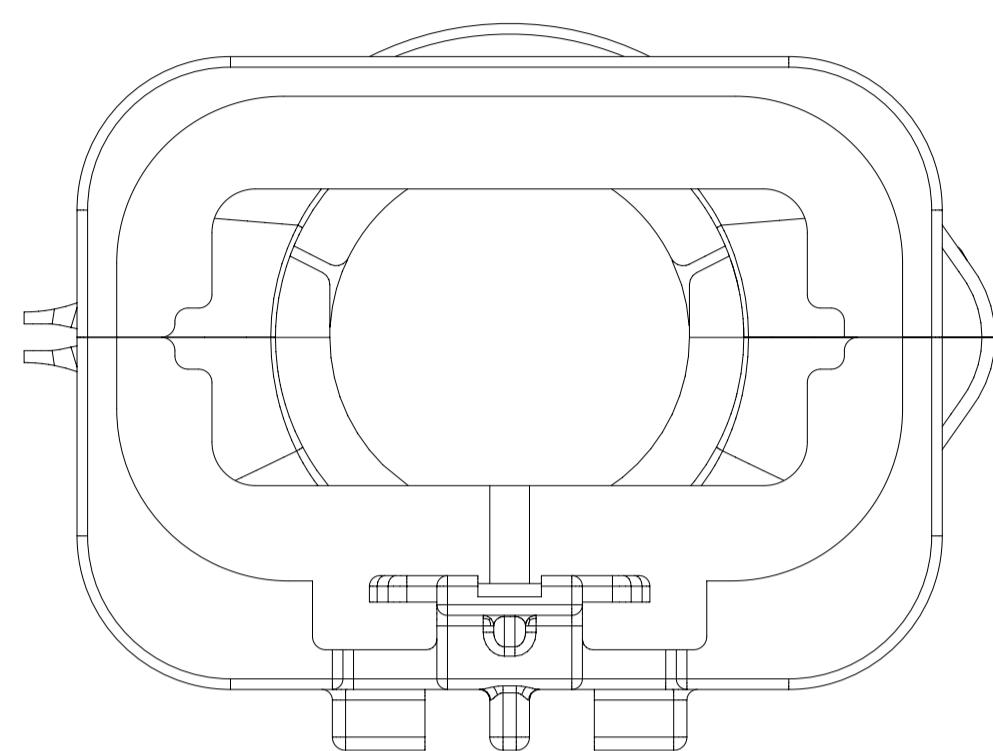
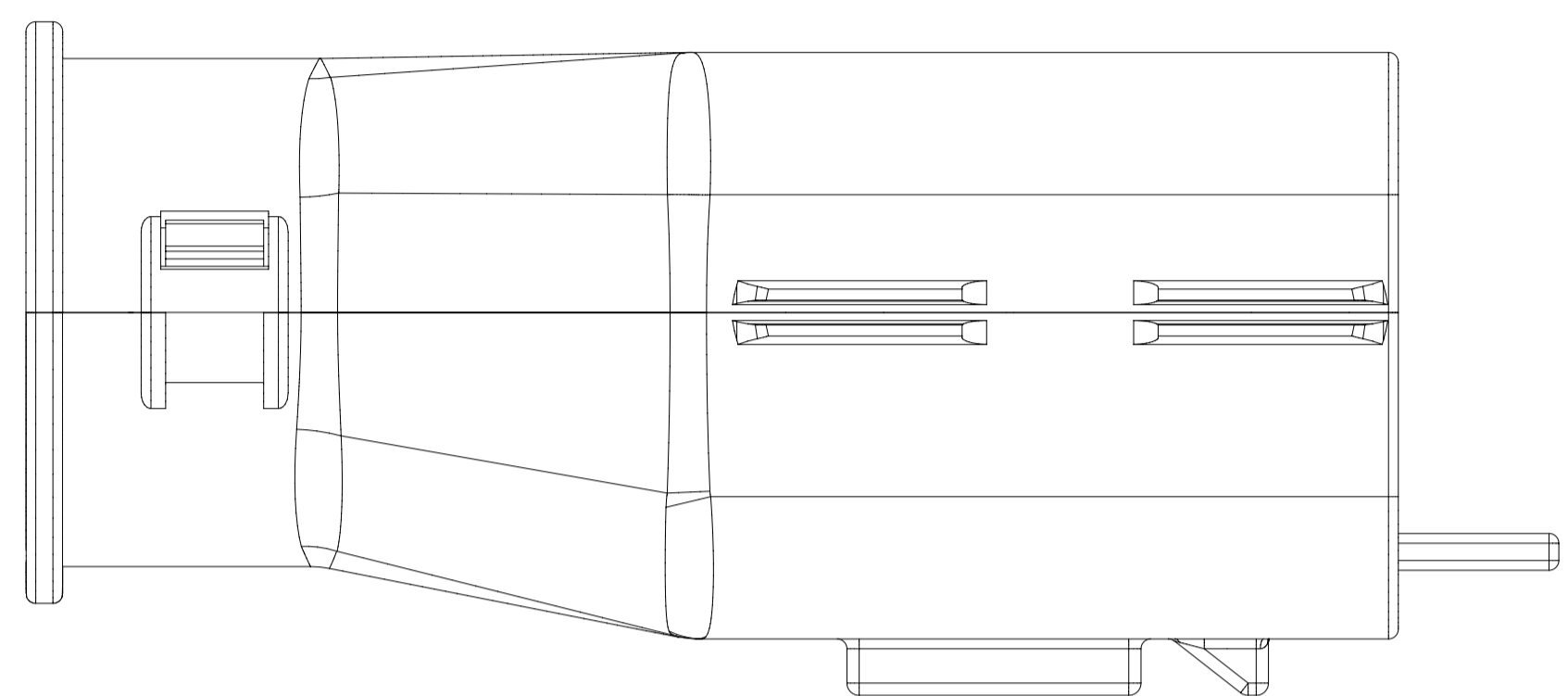
MX150 CIRCUIT SIZE 04, 06, 08, 12, 16, 20



SYMBOLS	THIS DRAWING CONTAINS INFORMATION THAT IS PROPRIETARY TO MOLEX ELECTRONIC TECHNOLOGIES, LLC AND SHOULD NOT BE USED WITHOUT WRITTEN PERMISSION		CURRENT REV DESC:					
	DIMENSION UNITS	SCALE						EC NO: 171650
▽ = 0	mm	1.5:1	DRWN: APROFFITT 2014/04/28	CHK'D: MVANSLAMBROU 2018/02/16	SD-33482-0001	PSD	001	E2
▽ = 0	GENERAL TOLERANCES (UNLESS SPECIFIED)		APPR: VKOSHY 2014/05/14	APPR: MVANSLAMBROU 2018/02/16				
▽ = 0	ANGULAR TOL ± 1.0°		INITIAL REVISION:		PRODUCT CUSTOMER DRAWING			
▽ = 0	4 PLACES ±		DRWN: APROFFITT 2014/04/28		DOCUMENT NUMBER			
▽ = 0	3 PLACES ±		APPR: VKOSHY 2014/05/14		SD-33482-0001			
▽ = 0	2 PLACES ± 0.1		DRWN: APROFFITT 2014/04/28		DOC TYPE			
▽ = 0	1 PLACE ± 0.2		APPR: VKOSHY 2014/05/14		DOC PART			
▽ = 0	0 PLACES ±		DRAFT WHERE APPLICABLE MUST REMAIN WITHIN DIMENSIONS		REVISION			
▽ = 0	THIRD ANGLE PROJECTION		DRAWING		MATERIAL NUMBER			
▽ = 0	DRAWING		SERIES		CUSTOMER			
			A1-SIZE		GENERAL MARKET			
			33482		SHEET NUMBER			
					7 OF 11			

SHEET DESCRIPTION

SCHLEMMER BACKSHELL



SECTION A-A

SYMBOLS ▽ = 0 ▽ = 0 ▽ = 0 ▽ = 0 ▽ = 0 ▽ = 0 ▽ = 0 ▽ = 0 ▽ = 0 ▽ = 0 ▽ = 0 ▽ = 0 ▽ = 0 ▽ = 0 ▽ = 0	THIS DRAWING CONTAINS INFORMATION THAT IS PROPRIETARY TO MOLEX ELECTRONIC TECHNOLOGIES, LLC AND SHOULD NOT BE USED WITHOUT WRITTEN PERMISSION		CURRENT REV DESC:			
	DIMENSION UNITS	SCALE				
	mm	3.5:1				
	GENERAL TOLERANCES (UNLESS SPECIFIED)		EC NO: 171650			
	ANGULAR TOL	± 1.0°	DRWN: PMANJUNATHAC 2018/01/03			
	4 PLACES	±	CHK'D: MVANSLAMBROU 2018/02/16			
	3 PLACES	±	APPR: MVANSLAMBROU 2018/02/16			
	2 PLACES	± 0.1	INITIAL REVISION:			
	1 PLACE	± 0.2	DRWN: APROFFITT 2014/04/28			
	0 PLACES	±	APPR: VKOSHY 2014/05/14			
DRAFT WHERE APPLICABLE MUST REMAIN WITHIN DIMENSIONS	THIRD ANGLE PROJECTION	DRAWING	SERIES	MATERIAL NUMBER	CUSTOMER	SHEET NUMBER
		A1-SIZE	33482	SD-33482-0001	GENERAL MARKET	8 OF 11

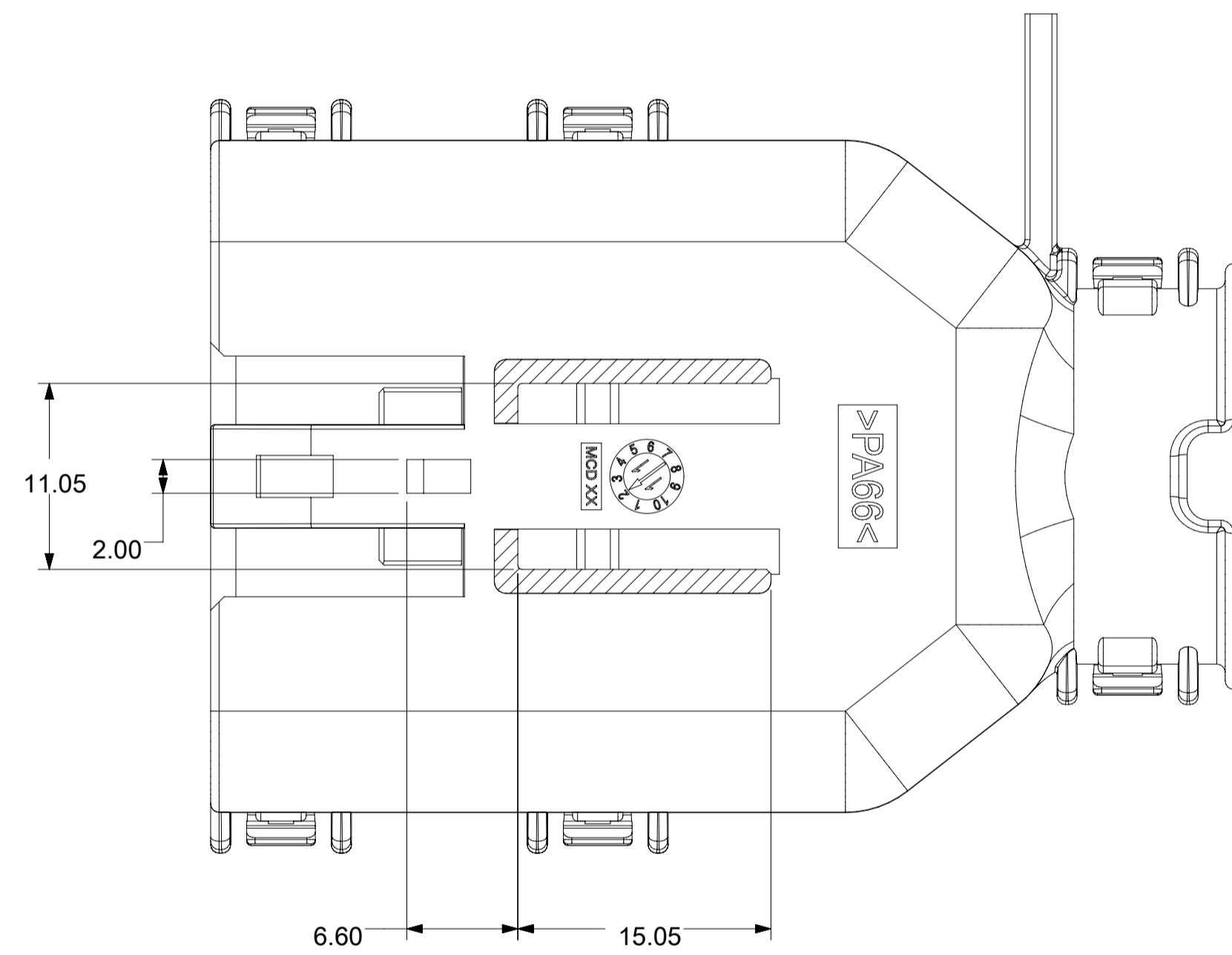
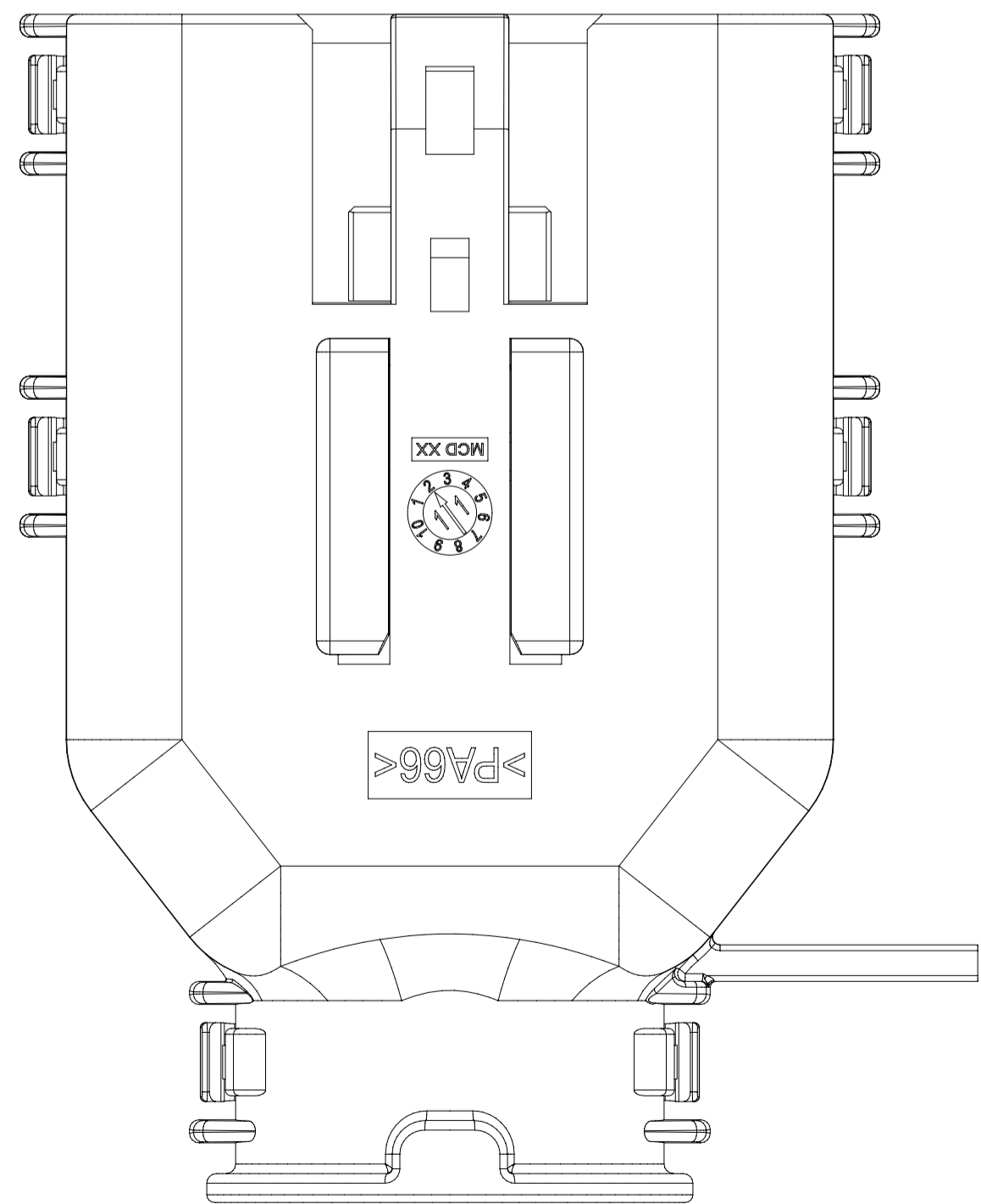
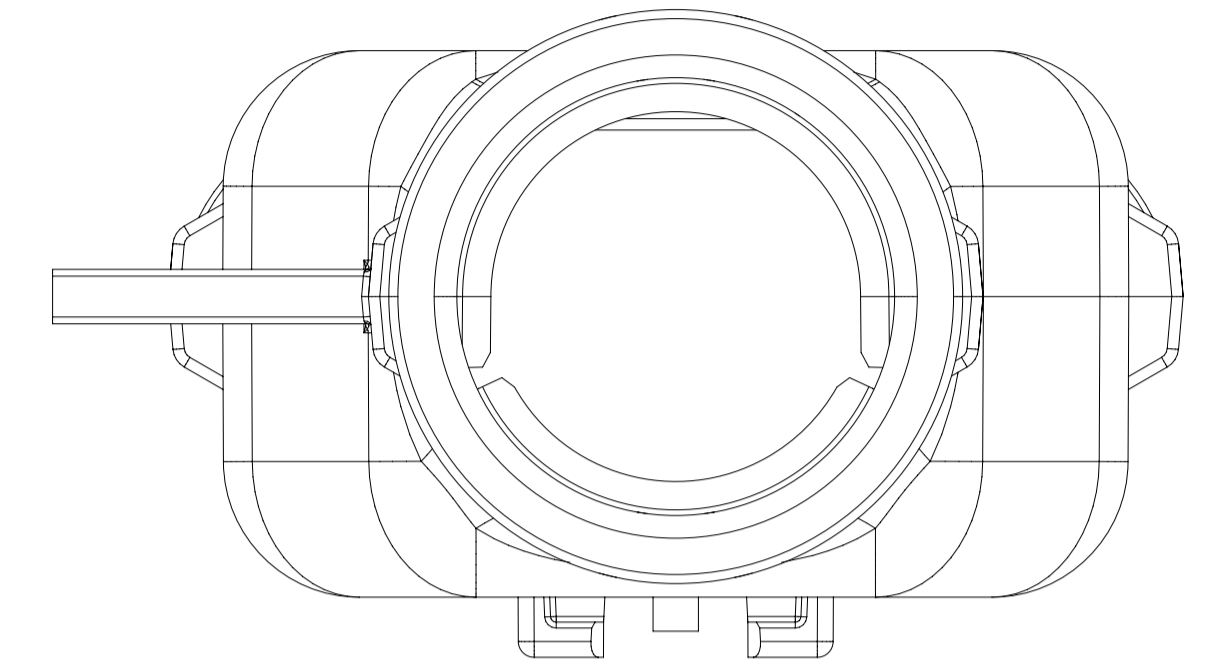
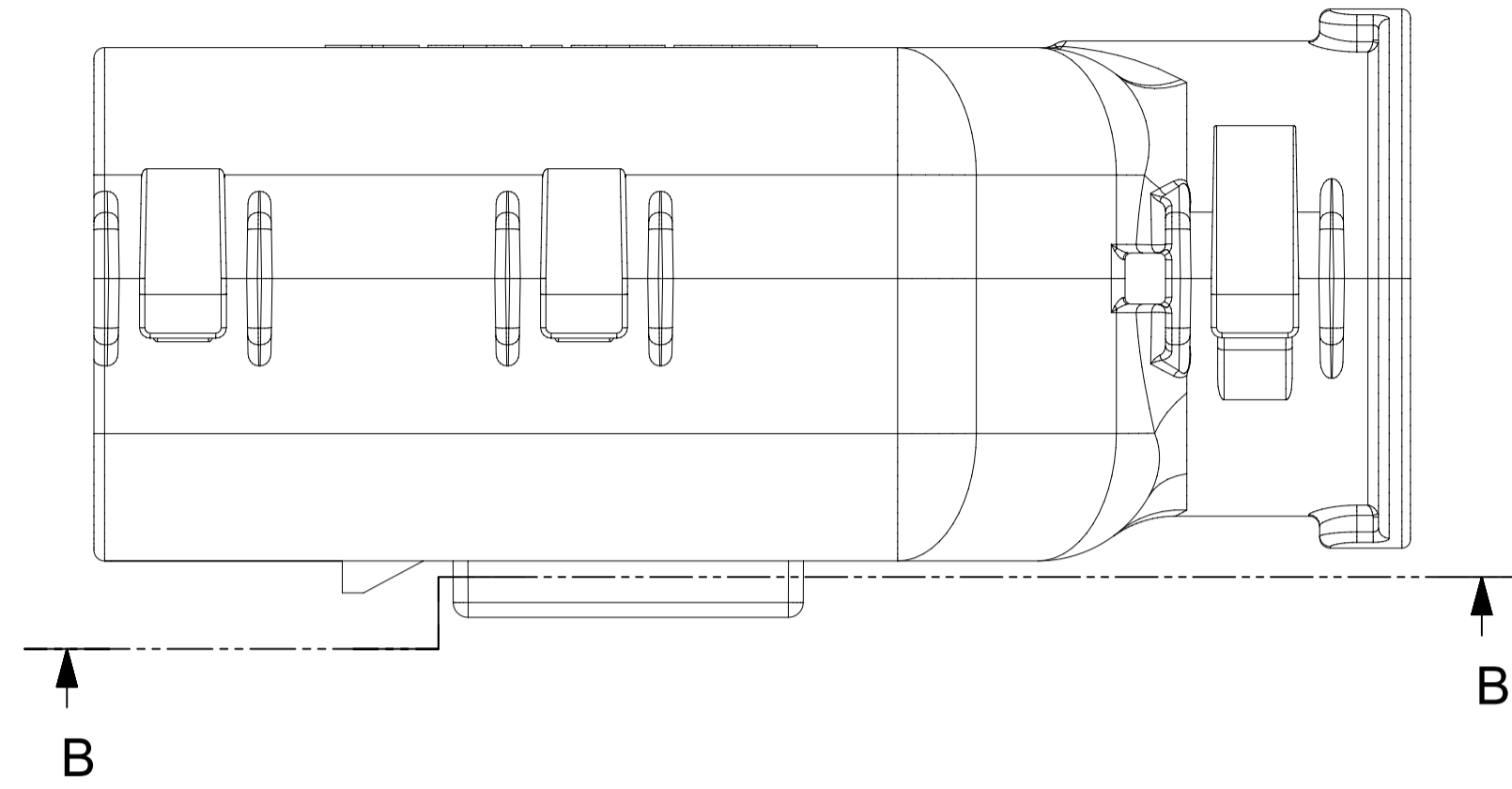
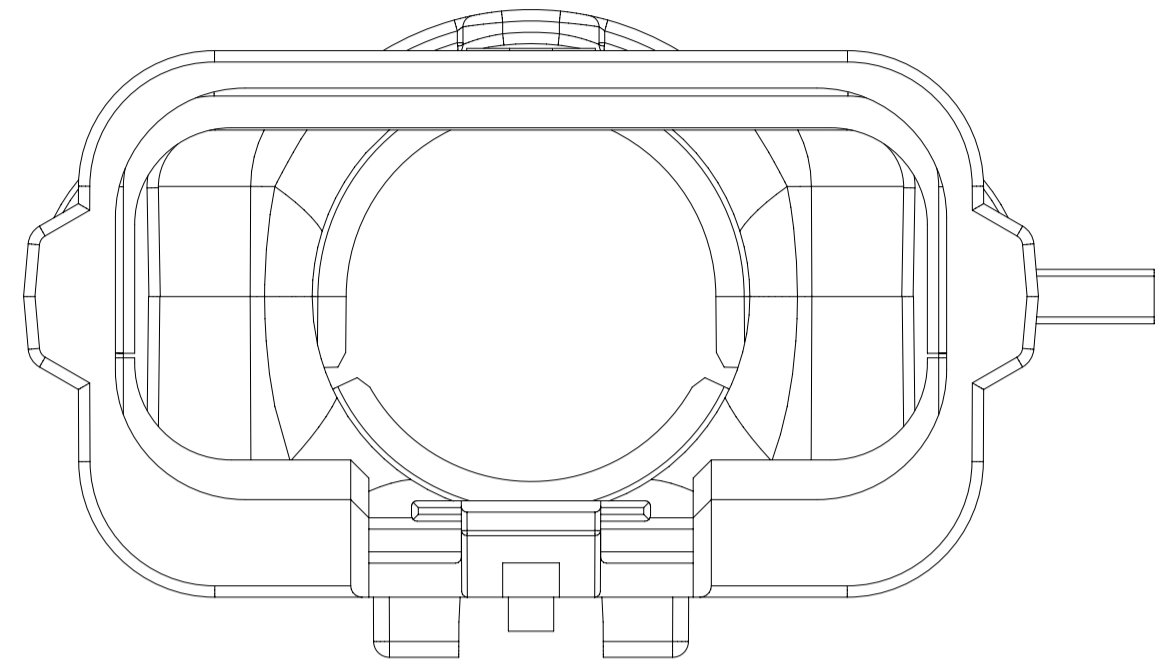
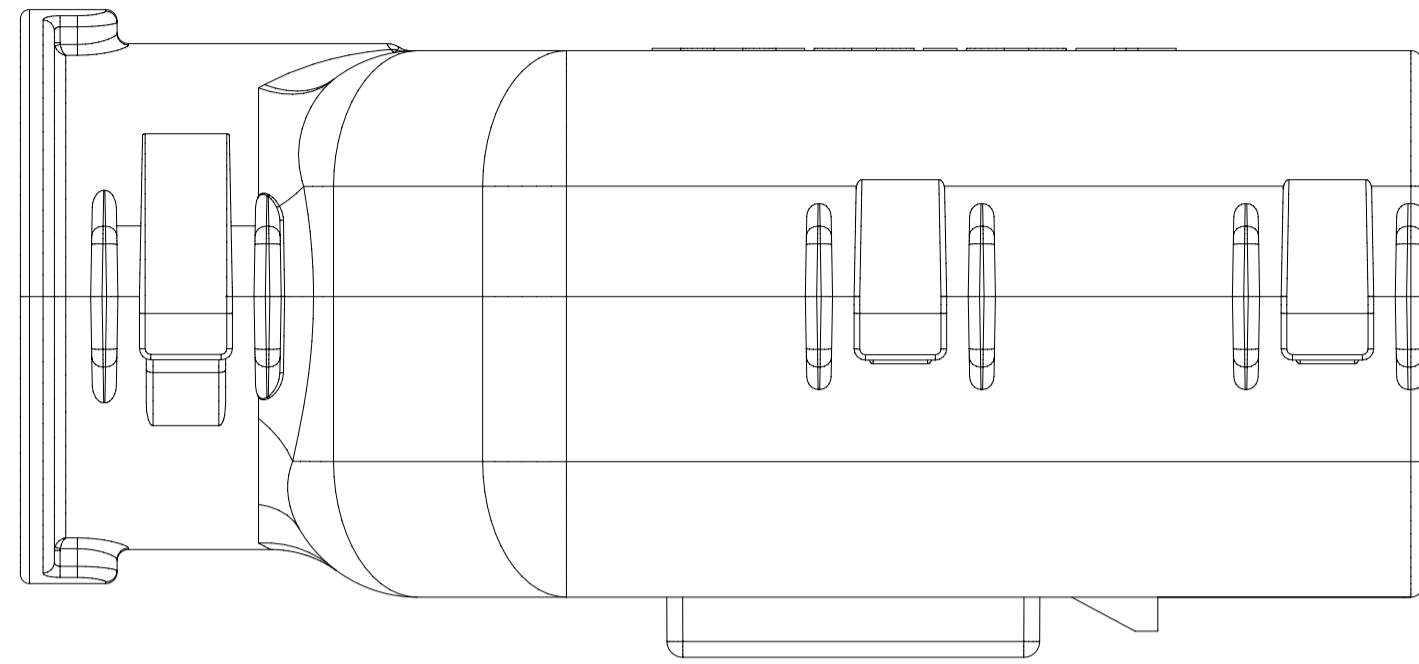
molex

MX150 BLADE
DUAL ROW SEALED ASSEMBLY MAT SEAL

PRODUCT CUSTOMER DRAWING

DOCUMENT NUMBER	DOC TYPE	DOC PART	REVISION
SD-33482-0001	PSD	001	E2

SHEET DESCRIPTION
MOLEX BACKSHELL

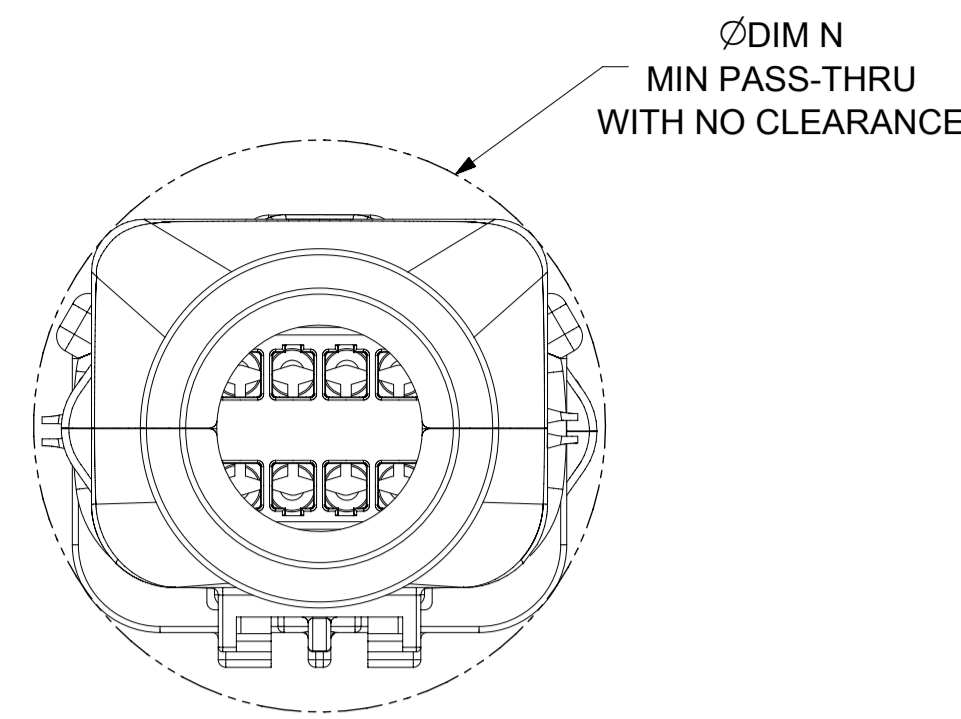
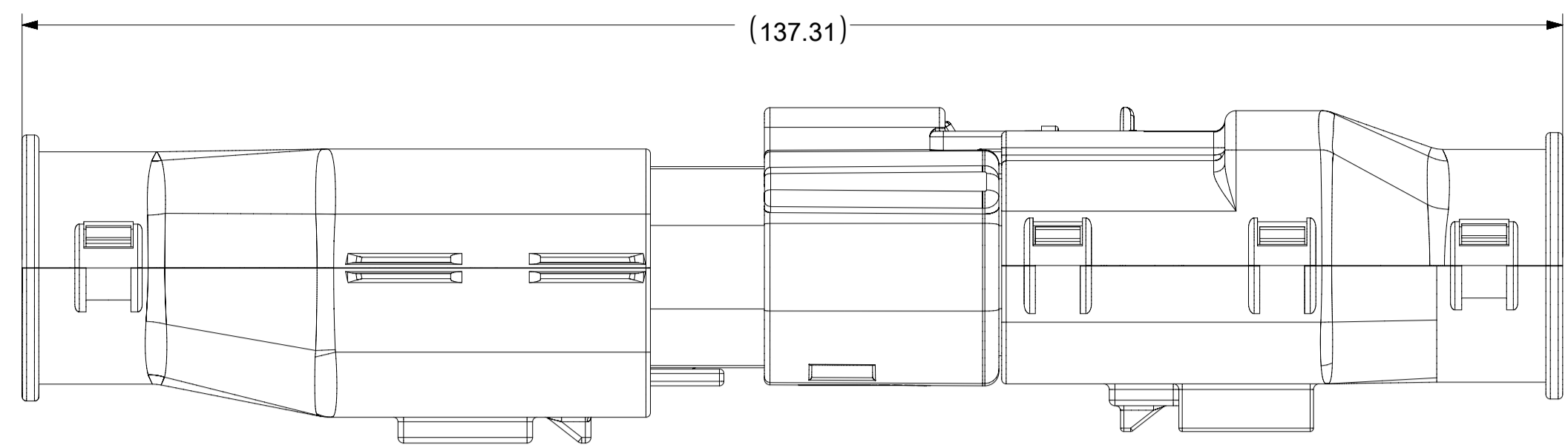


SECTION B-B

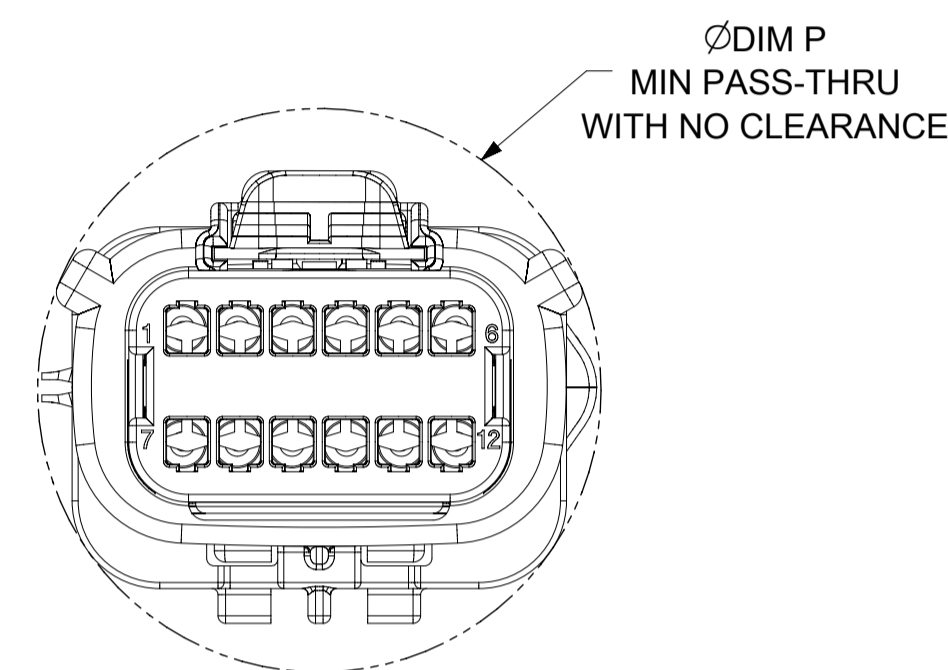
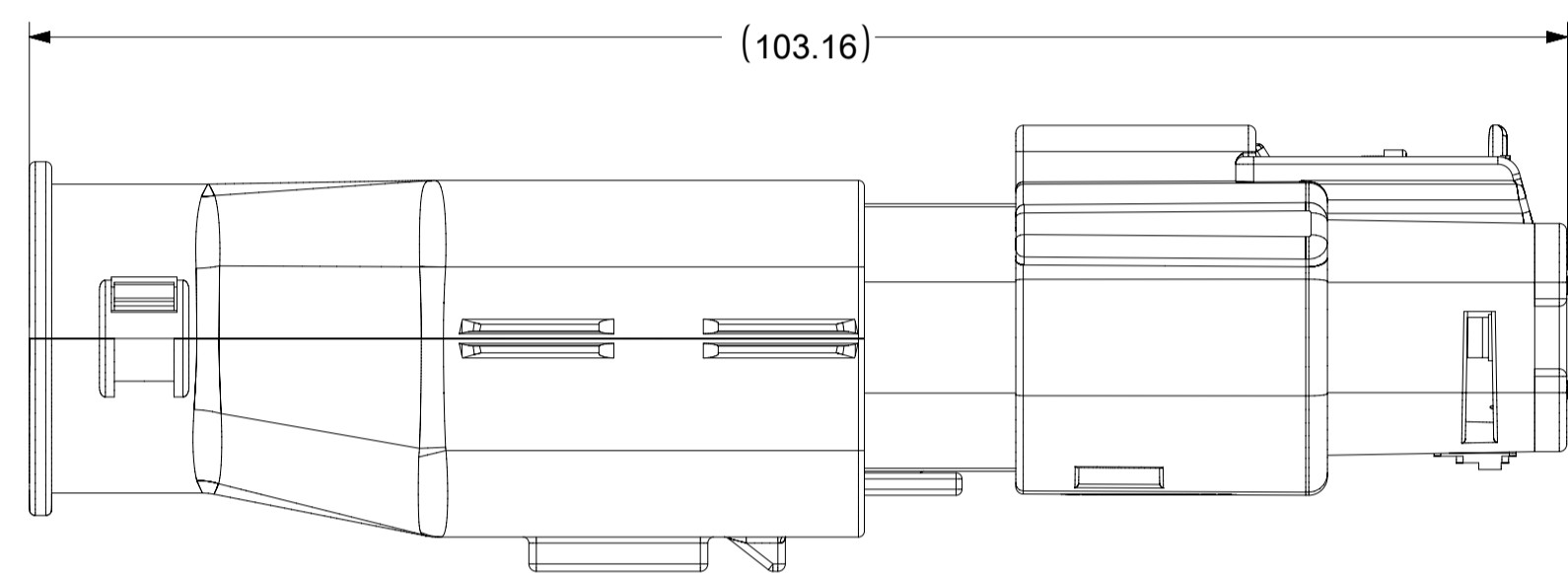
<p>SYMBOLS</p> <p>▽ = 0 mm 3:1 ▽ = 0 GENERAL TOLERANCES (UNLESS SPECIFIED) ▽ = 0 ANGULAR TOL ± 1.0° ▽ = 0 4 PLACES ± ▽ = 0 3 PLACES ± ▽ = 0 2 PLACES ± 0.1 ▽ = 0 1 PLACE ± 0.2 ▽ = 0 0 PLACES ± ▽ = 0 DRAFT WHERE APPLICABLE MUST REMAIN WITHIN DIMENSIONS ▽ = 0</p>											<p>THIS DRAWING CONTAINS INFORMATION THAT IS PROPRIETARY TO MOLEX ELECTRONIC TECHNOLOGIES, LLC AND SHOULD NOT BE USED WITHOUT WRITTEN PERMISSION</p> <p>SCALE 3:1</p> <p>CURRENT REV DESC:</p> <p>EC NO: 171650 DRWN: PMANJUNATHAC 2018/01/03 CHK'D: MVANSLAMBROU 2018/02/16 APPR: MVANSLAMBROU 2018/02/16</p> <p>INITIAL REVISION: DRWN: APROFFITT 2014/04/28 APPR: VKOSHY 2014/05/14</p>				<p>molex</p> <p>MX150 BLADE DUAL ROW SEALED ASSEMBLY MAT SEAL</p> <p>PRODUCT CUSTOMER DRAWING</p>		
<p>DOCUMENT STATUS P1 RELEASE DATE 2018/02/16 22:02:26</p>			<p>THIRD ANGLE PROJECTION</p>		<p>DRAWING SERIES</p> <p>A1-SIZE 33482</p>		<p>MATERIAL NUMBER</p> <p>GENERAL MARKET</p>		<p>DOC TYPE DOC PART REVISION</p> <p>PSD 001 E2</p>								
<p>DOCUMENT NUMBER SD-33482-0001</p>				<p>CUSTOMER</p> <p>GENERAL MARKET</p>				<p>SHEET NUMBER</p> <p>9 OF 11</p>									

SHEET DESCRIPTION
SCHLEMMER BACKSHELL CONFIGURATIONS

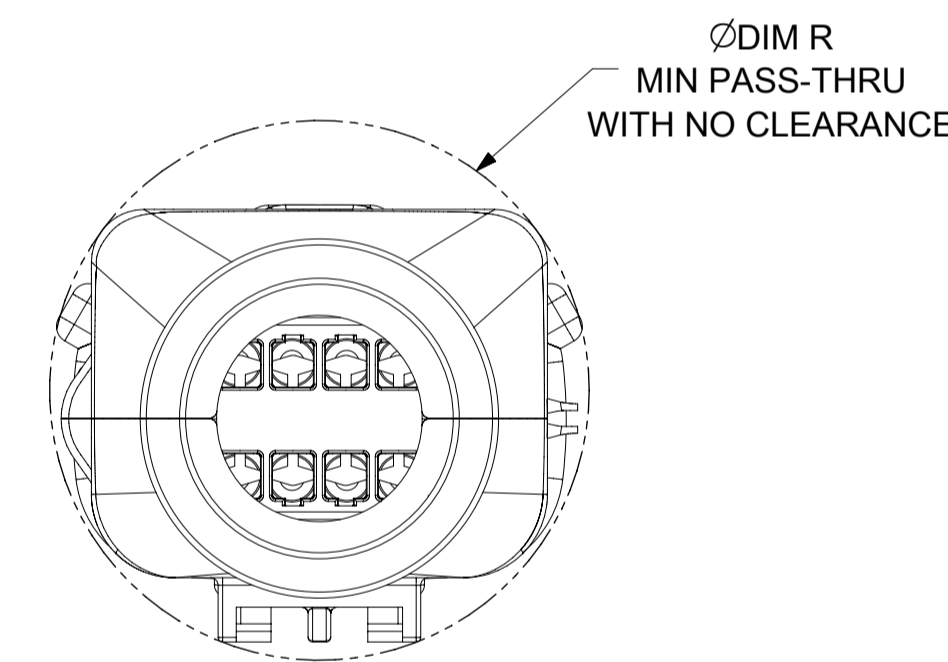
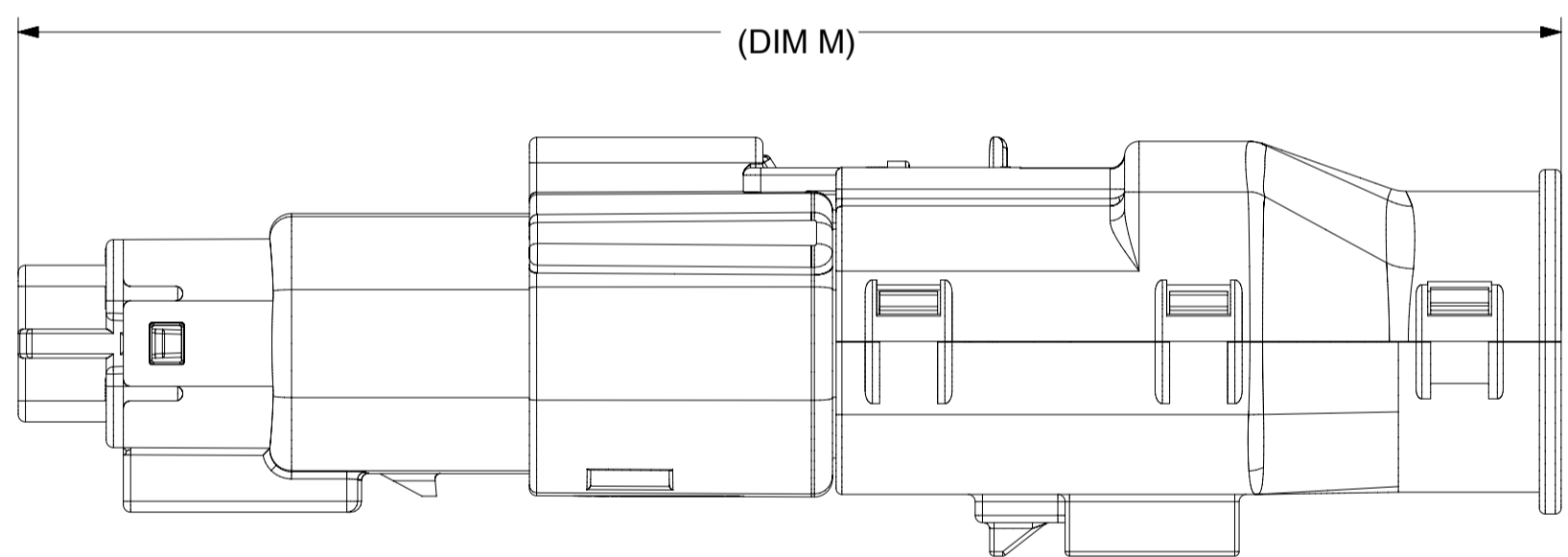
CKT	BLADE CONFIGURATION	RECEPTACLE CONFIGURATION	DIMENSIONS				
			M	N	P	R	T
2X3	STANDARD	STANDARD	106.83	32.75	31.75	29.00	29.50
	LENGTHENED		108.71				
2X4	STANDARD	STANDARD	106.83	33.50	31.90	30.70	30.70
2X6	STANDARD	STANDARD	106.83	37.84	37.27	35.83	36.83



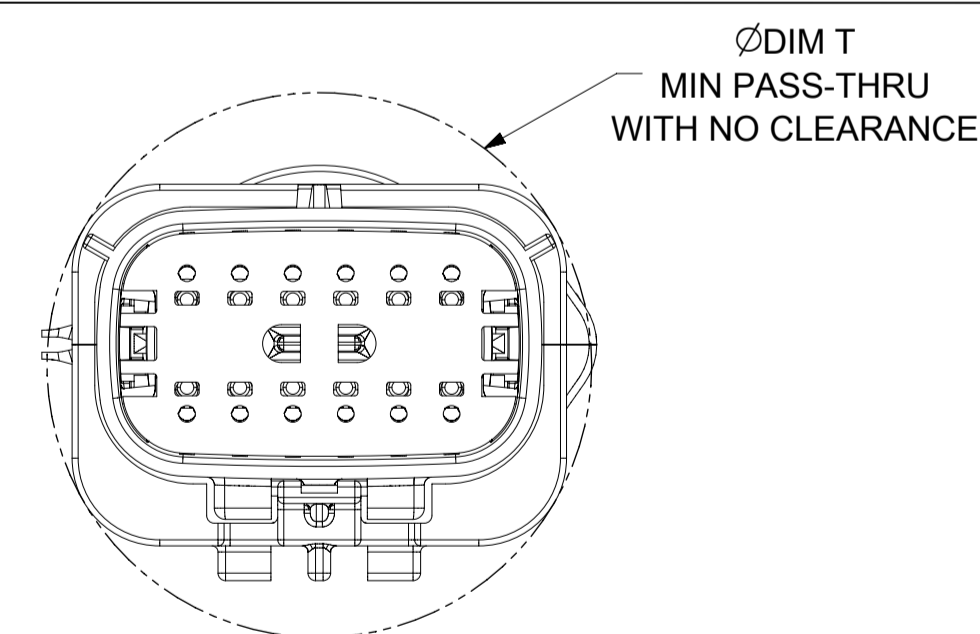
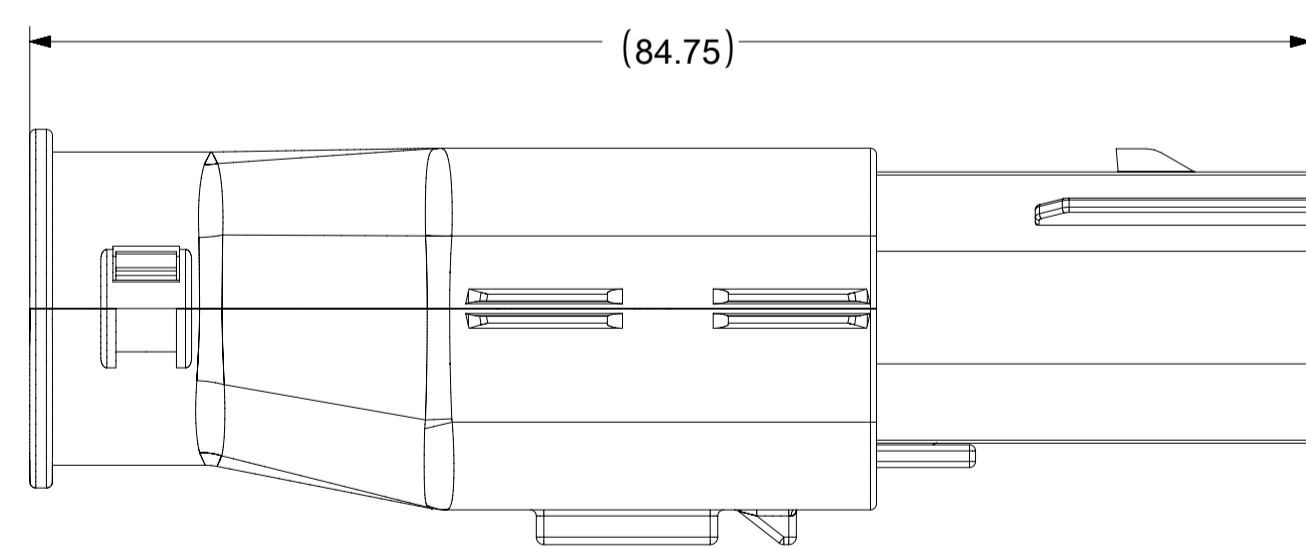
OVERALL MATED SYSTEM WITH BLADE AND RECEPTACLE BACKSHELL



OVERALL MATED SYSTEM WITH BLADE BACKSHELL



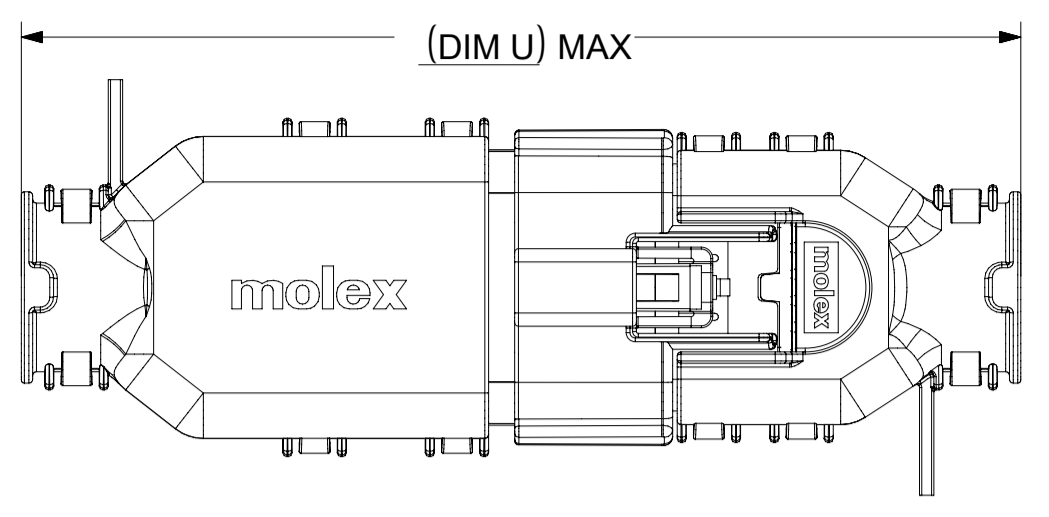
OVERALL MATED SYSTEM WITH RECEPTACLE BACKSHELL



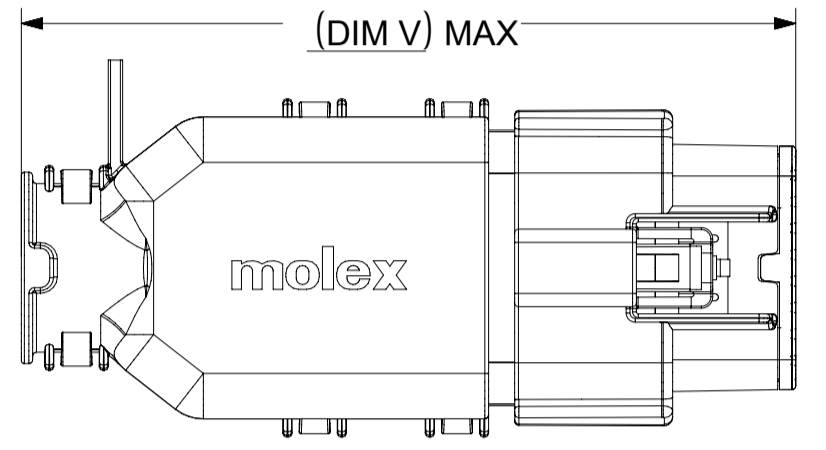
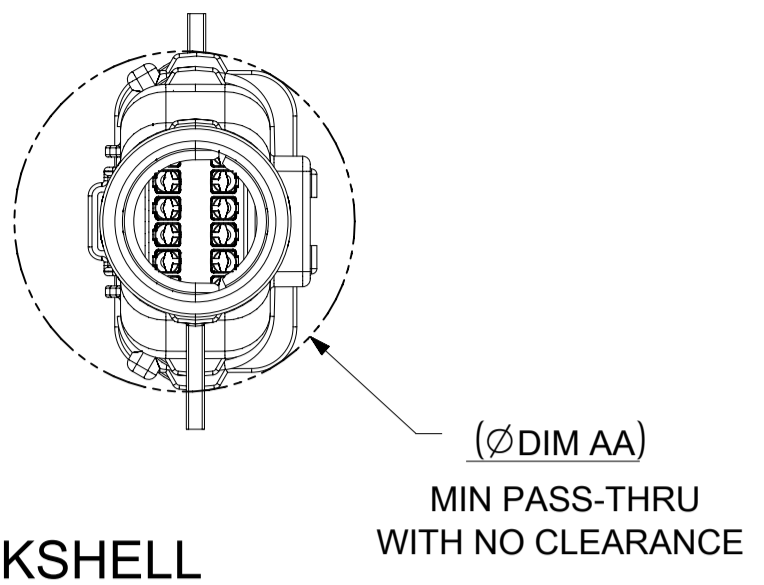
BLADE SEALED ASSEMBLY WITH BLADE BACKSHELL

SYMBOLS THIS DRAWING CONTAINS INFORMATION THAT IS PROPRIETARY TO MOLEX ELECTRONIC TECHNOLOGIES, LLC AND SHOULD NOT BE USED WITHOUT WRITTEN PERMISSION DIMENSION UNITS: mm SCALE: 2:1 GENERAL TOLERANCES (UNLESS SPECIFIED): ANGULAR TOL: ± 1.0° 4 PLACES: ± 3 PLACES: ± 2 PLACES: ± 0.1 1 PLACE: ± 0.2 0 PLACES: ± DRAFT WHERE APPLICABLE MUST REMAIN WITHIN DIMENSIONS	CURRENT REV DESC:		 MX150 BLADE DUAL ROW SEALED ASSEMBLY MAT SEAL PRODUCT CUSTOMER DRAWING	
	EC NO: 171650 DRWN: PMANJUNATHAC 2018/01/03 CHK'D: MVANSLAMBROU 2018/02/16 APPR: MVANSLAMBROU 2018/02/16			DOCUMENT NUMBER: SD-33482-0001 DOC TYPE: PSD DOC PART: 001 REVISION: E2
	INITIAL REVISION: DRWN: APROFFITT 2014/04/28 APPR: VKOSHY 2014/05/14			MATERIAL NUMBER: 33482 CUSTOMER: GENERAL MARKET SHEET NUMBER: 10 OF 11
THIRD ANGLE PROJECTION		DRAWING: A1-SIZE SERIES: 33482		

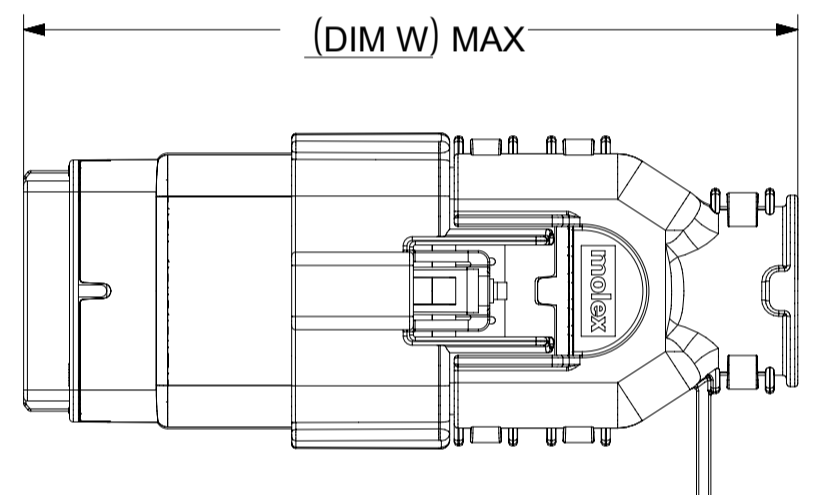
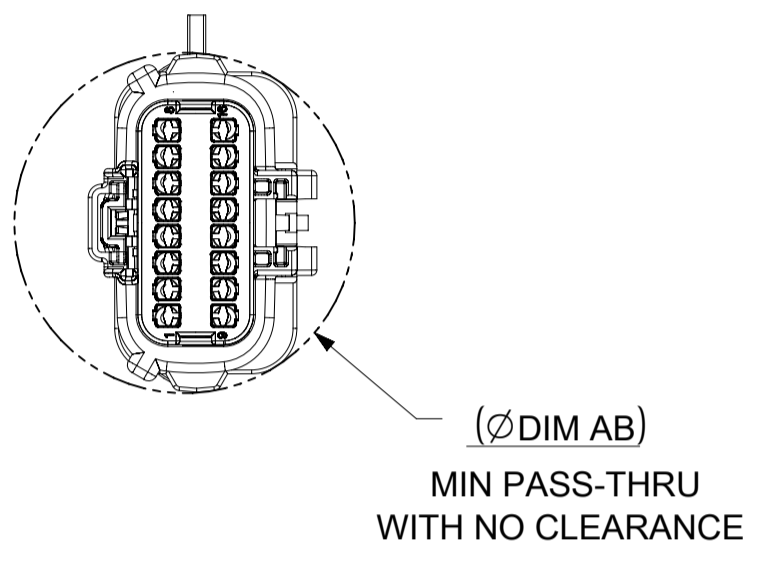
SHEET DESCRIPTION
MOLEX BACKSHELL CONFIGURATIONS



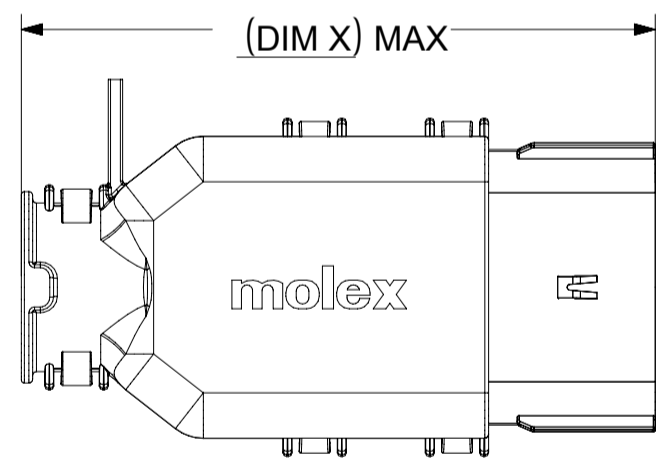
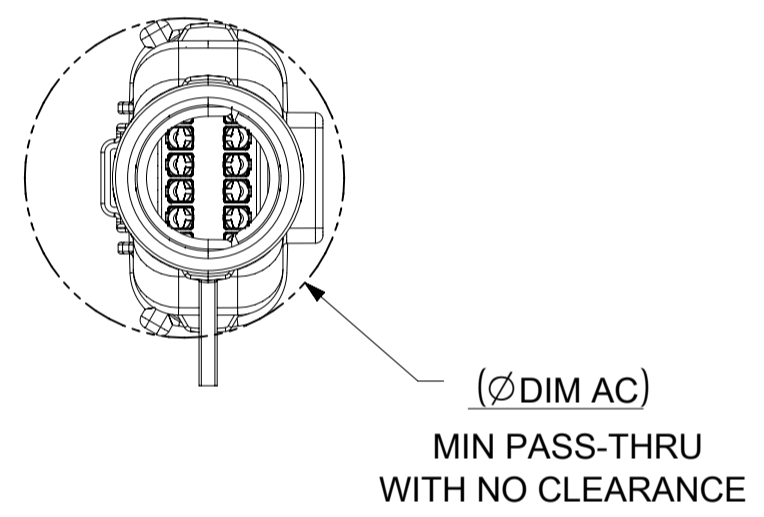
OVERALL MATED SYSTEM WITH BLADE AND RECEPTACLE BACKSHELL



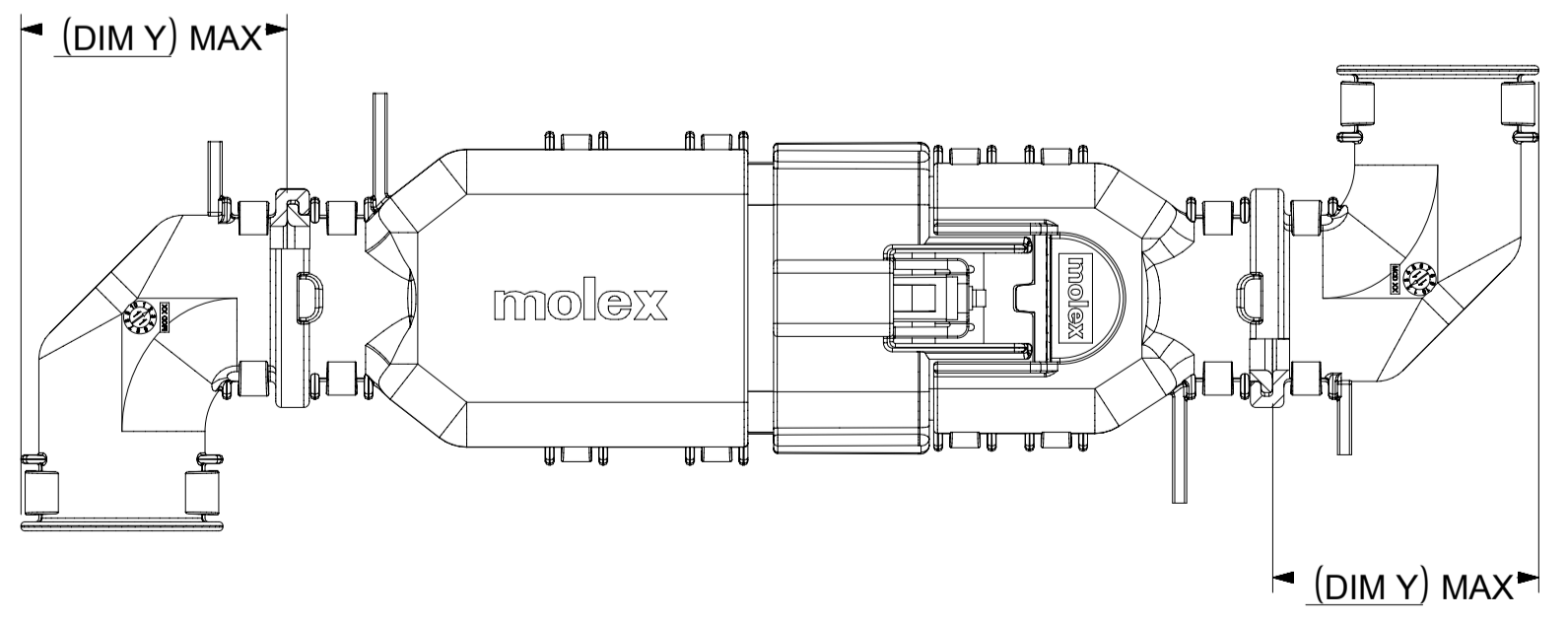
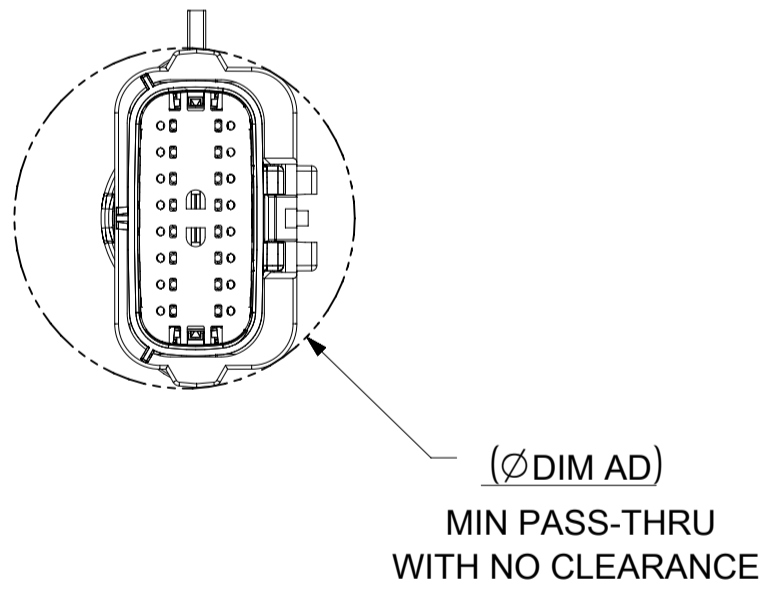
OVERALL MATED SYSTEM WITH BLADE BACKSHELL



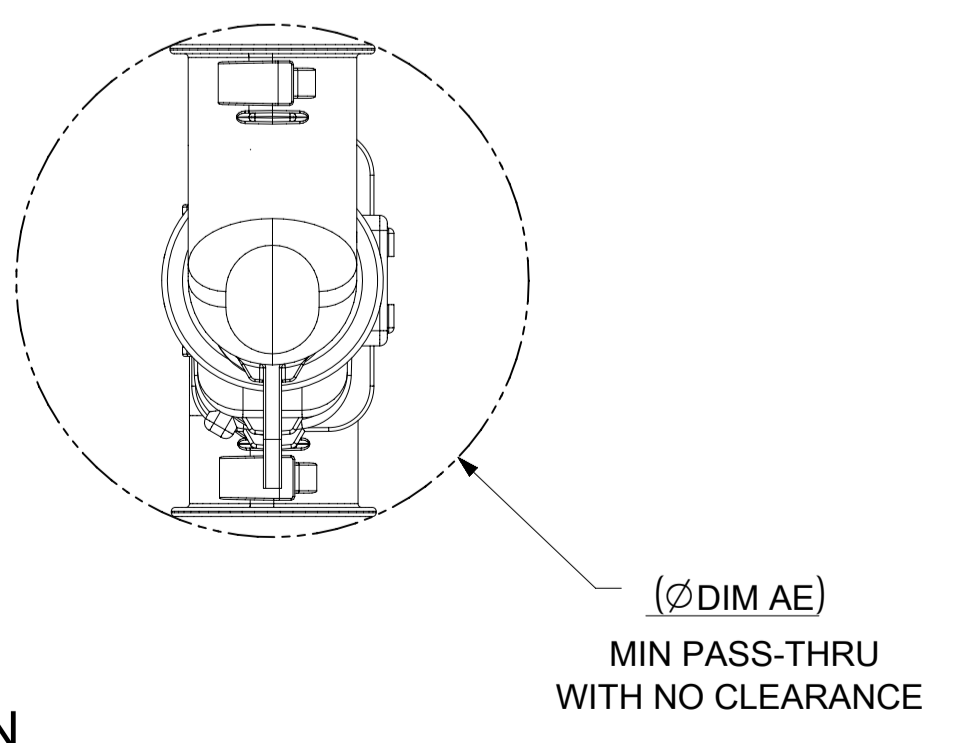
OVERALL MATED SYSTEM WITH RECEPTACLE BACKSHELL



BLADE SEALED ASSEMBLY WITH BLADE BACKSHELL



ADD THE VALUE OF 'Y' TO THE TOTAL DIMENSION WHENEVER ADAPTOR IS USED



CHARTED DIMENSIONS

CKT	BLADE CONFIGURATION	RECEPTACLE CONFIGURATION	DIMENSIONS									
			U	V	W	X	Y	AA	AB	AC	AD	AE
2X4	STANDARD	STANDARD	115.24	94.36	93.93	75.62	32.10	32.93	32.54	32.85	31.76	56.81
2X8	STANDARD	STANDARD	132.49	102.81	102.73	84.07	36.10	45.44	45.44	42.65	45.44	68.18
2X10	STANDARD	STANDARD	132.49	102.81	102.73	84.07	36.10	45.44	45.44	42.65	45.44	68.18

SYMBOLS = 0 = 0 = 0 = 0 = 0 = 0 = 0 = 0 = 0	THIS DRAWING CONTAINS INFORMATION THAT IS PROPRIETARY TO MOLEX ELECTRONIC TECHNOLOGIES, LLC AND SHOULD NOT BE USED WITHOUT WRITTEN PERMISSION DIMENSION UNITS: mm SCALE: 1:1 GENERAL TOLERANCES (UNLESS SPECIFIED) ANGULAR TOL ± 1.0° 4 PLACES ± 3 PLACES ± 2 PLACES ± 0.1 1 PLACE ± 0.2 0 PLACES ± DRAFT WHERE APPLICABLE MUST REMAIN WITHIN DIMENSIONS	CURRENT REV DESC: EC NO: 171650 DRWN: PMANJUNATHAC 2018/01/03 CHK'D: MVANSLAMBROU 2018/02/16 APPR: MVANSLAMBROU 2018/02/16 INITIAL REVISION: DRWN: APROFFITT 2014/04/28 APPR: VKOSHY 2014/05/14	 MX150 BLADE DUAL ROW SEALED ASSEMBLY MAT SEAL PRODUCT CUSTOMER DRAWING
	DOCUMENT NUMBER: SD-33482-0001 DOC TYPE: PSD DOC PART: 001 REVISION: E2	MATERIAL NUMBER: 33482 CUSTOMER: GENERAL MARKET SHEET NUMBER: 11 OF 11	